



STATUS®

ENG

PLANER

Original instructions

DE

HOBEL

Original instructions

IT

PIALLETTO PROFILO

Istruzioni originali

BG

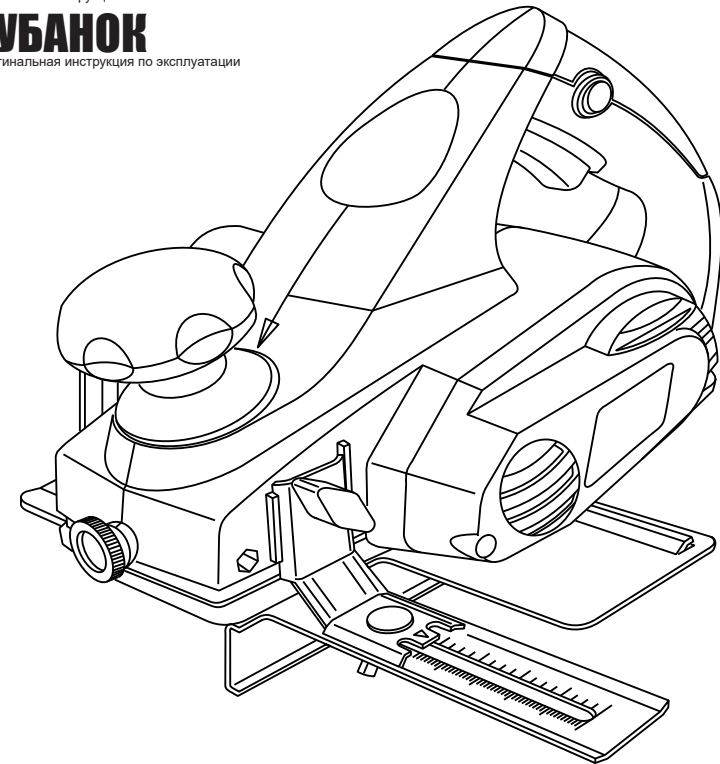
РЕНДЕ

Оригинална инструкция за използване

RU

РУБАНОК

Оригинальная инструкция по эксплуатации



PL82-2





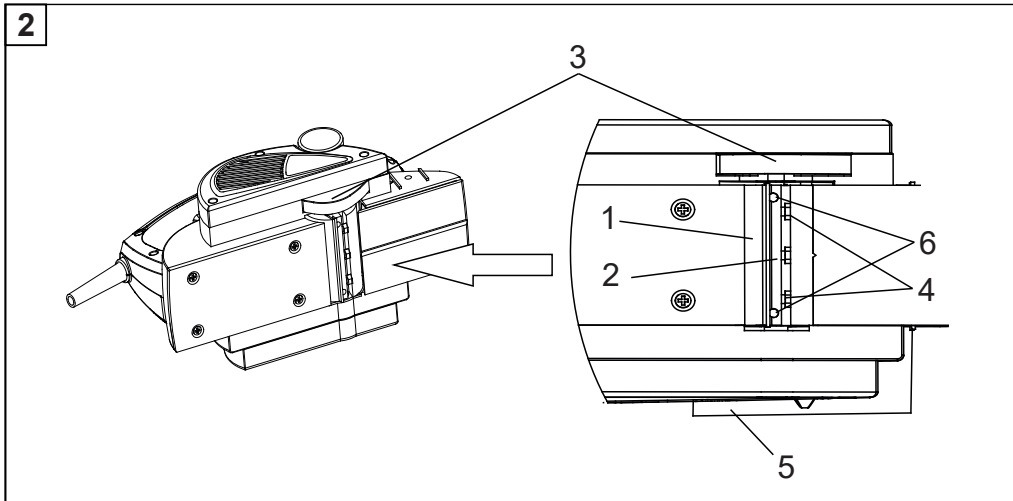
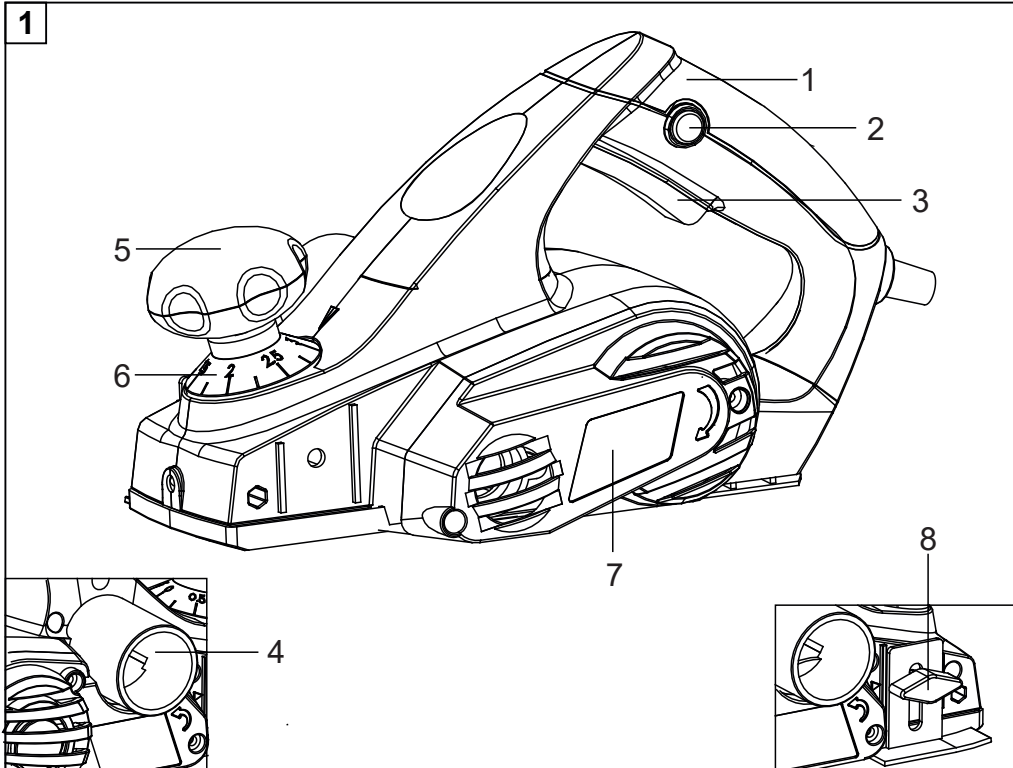
STATUS®

PL82-2

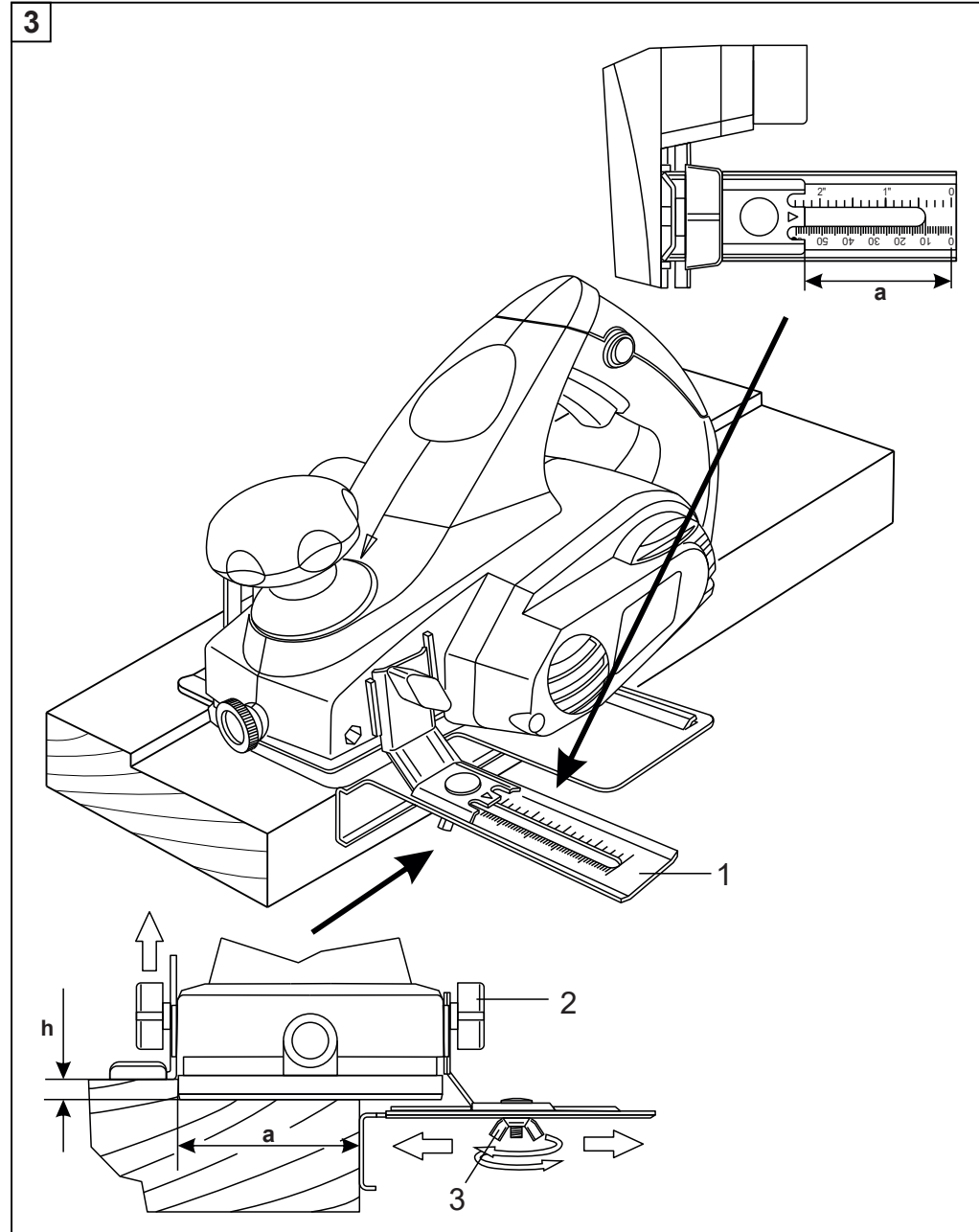


STATUS®

PL82-2



2



3

1. GENERAL POWER TOOL SAFETY WARNINGS

GENERAL POWER TOOL SAFETY WARNINGS



WARNING! Read all safety warnings and all instructions.

Failure to follow the warnings and instructions may result in electric shock, fire and/or serious injury.

Save all warnings and instructions for future reference.

The term “power tool” in the warnings refers to your mains-operated (corded) power tool or battery-operated (cordless) power tool.

Work area safety

- **Keep work area clean and well lit.** Cluttered or dark areas invite accidents.
- **Do not operate power tools in explosive atmospheres, such as in the presence of flammable liquids, gases or dust.** Power tools create sparks which may ignite the dust or fumes.
- **Keep children and bystanders away while operating a power tool.** Distractions can cause you to lose control.

Electrical safety

- **Power tool plugs must match the outlet. Never modify the plug in any way.** Do not use any adapter plugs with earthed (grounded) power tools. Unmodified plugs and matching outlets will reduce risk of electric shock.
- **Avoid body contact with earthed or grounded surfaces, such as pipes, radiators, ranges and refrigerators.** There is an increased risk of electric shock if your body is earthed or grounded.
- **Do not expose power tools to rain or wet conditions.** Water entering a power tool will increase the risk of electric shock.
- **Do not abuse the cord. Never use the cord for carrying, pulling or unplugging the power tool.** Keep cord away from heat, oil, sharp edges or moving parts. Damaged or entangled cords increase the risk of electric shock.
- **When operating a power tool outdoors, use an extension cord suitable for outdoor use.** Use of a cord suitable for outdoor use reduces the risk of electric shock.
- **If operating a power tool in a damp location is unavoidable, use a residual current device (RCD) protected supply.** Use of an RCD reduces the risk of electric shock.

Personal safety

- **Stay alert, watch what you are doing and use common sense when operating a power tool.** Do not use a power tool while you are tired or under the influence of drugs, alcohol or medication. A moment of inattention while operating power tools may result in serious personal injury.
- **Use personal protective equipment.** Always wear eye protection. Protective equipment such as dust mask, non-skid safety shoes, hard hat, or hearing protection used for appropriate conditions will reduce personal injuries.
- **Prevent unintentional starting.** Ensure the switch is in the off-position before connecting to power source and/or battery pack, picking up or carrying the tool. Carrying power tools with your finger on the switch or energising power tools that have the switch on invites accidents.

2. ADDITIONAL SAFETY RULES FOR ELECTRIC PLANERS

- **Remove any adjusting key or wrench before turning the power tool on.** A wrench or a key left attached to a rotating part of the power tool may result in personal injury.
- **Do not overreach.** Keep proper footing and balance at all times. This enables better control of the power tool in unexpected situations.
- **Dress properly.** Do not wear loose clothing or jewellery. Keep your hair, clothing and gloves away from moving parts. Loose clothes, jewellery or long hair can be caught in moving parts.
- **If devices are provided for the connection of dust extraction and collection facilities, ensure these are connected and properly used.** Use of dust collection can reduce dust-related hazards.

Power tool use and care

- **Do not force the power tool. Use the correct power tool for your application.** The correct power tool will do the job better and safer at the rate for which it was designed.
- **Do not use the power tool if the switch does not turn it on and off.** Any power tool that cannot be controlled with the switch is dangerous and must be repaired.
- **Disconnect the plug from the power source and/or the battery pack from the power tool before making any adjustments, changing accessories, or storing power tools.** Such preventive safety measures reduce the risk of starting the power tool accidentally.
- **Store idle power tools out of the reach of children and do not allow persons unfamiliar with the power tool or these instructions to operate the power tool.** Power tools are dangerous in the hands of untrained users.
- **Maintain power tools.** Check for misalignment or binding of moving parts, breakage of parts and any other condition that may affect the power tool's operation. If damaged, have the power tool repaired before use. Many accidents are caused by poorly maintained power tools.
- **Keep cutting tools sharp and clean.** Properly maintained cutting tools with sharp cutting edges are less likely to bind and are easier to control.
- **Use the power tool, accessories and tool bits etc. in accordance with these instructions, taking into account the working conditions and the work to be performed.** Use of the power tool for operations different from those intended could result in a hazardous situation.

Service

- **Have your power tool serviced by a qualified repair person using only identical replacement parts.** This will ensure that the safety of the power tool is maintained.

ADDITIONAL SAFETY RULES FOR ELECTRIC PLANERS

- **Wait for the cutter to stop before setting the tool down.** An exposed rotating cutter may engage the surface leading to possible loss of control and serious injury.
- **Hold power tool by insulated gripping surfaces only, when performing an operation where the cutting accessory may contact hidden wiring or its own cord.** Cutting accessory contacting a “live” wire may make exposed metal parts of the power tool “live” and could give the operator an electric shock.

2. ADDITIONAL SAFETY RULES FOR ELECTRIC PLANERS

- **Use clamps or another practical way to secure and support the workpiece to a stable platform.** Holding the work by your hand or against the body leaves it unstable and may lead to loss of control.
- Always wear eye and ear protection and use a dust mask.
- Fully unwind cable drum extensions to avoid potential overheating.
- When an extension cable is required, you must ensure that it has the right ampere rating for your power tool and is in safe electrical condition.
- After long working periods, external metal parts and accessories could be hot.
- Always switch off before you put the planer down.
- Do not force the planer: let the tool do the work at a reasonable speed. Overloading will occur if too much pressure is applied and the motor slows resulting in inefficient planing and possible damage to the planer motor.
- Always use a dust extraction system where possible.
- Rags, cloths, cord, string and the like should never be left around the work area.
- Remove all nails, screws and other objects from the workpiece. You can damage the blade and the tool by cutting into a nail or other foreign object. It can also present a safety hazard.
- Handle the blades very carefully.
- Be sure that the blade installation bolts are securely tightened before operation.
- Hold the tool firmly with both hands.
- Before using the tool on an actual workpiece, switch on and let it run for a while. Watch for vibration or wobbling that could indicate poor installation or a poorly balanced blade.
- Make sure that a blade is not in contact with the workpiece when you switch the machine on.
- Wait until the blades attain full speed before cutting.
- Operate the tool at least 200 mm away from your face and body.
- Always switch off and wait until the blades have come to a complete standstill before attempting any adjustments
- Never stick your finger into the chip chute. Shavings may jam in the chute when cutting damp wood. Clean out the chips with a stick but only when the tool has been turned off and unplugged from the power point.
- Do not leave the machine running unattended. Operate the tool only when controlled by both hands.
- When leaving the planer, switch off and set it with the front base up on a wooden block so that the blades are not in contact with anything.
- Always change both blades at the same time, otherwise the resulting imbalance will cause vibration and shorten the blade and tool life.

WARNING: Before connecting a tool to a power source (mains socket power point receptacle, outlet, etc.) be sure that the voltage supply is the same as that specified on the nameplate of the tool. A power source with a voltage greater than that specified for the tool can result in serious injury to the user, as well as damage to the tool.

3. FUNCTIONAL DESCRIPTION

- If in doubt, do not plug in the tool. Using a power source with a voltage less than the nameplate rating is harmful to the motor.
 - The tool must be used only for its prescribed purpose. Any use other than those mentioned in this Manual will be considered a case of misuse. The user and not the manufacturer shall be liable for any damage or injury resulting from such cases of misuse.
 - To use this tool properly, you must observe the safety regulations, the assembly instructions and the operating instructions to be found in this Manual. All persons who use and service the machine have to be acquainted with this Manual and must be informed about its potential hazards. Children and frail people must not use this tool. Children should be supervised at all times if they are in the area in which the tool is being used. It is also imperative that you observe the accident prevention regulations in force in your area. The same applies for general rules of occupational health and safety.
 - The manufacturer shall not be liable for any changes made to the tool nor for any damage resulting from such changes.
- Even when the tool is used as prescribed it is not possible to eliminate all residual risk factors. The following hazards may arise in connection with the tool's construction and design:
- Damage to hearing if effective hearing protection is not worn.
 - Always remove the plug from the mains socket before making any adjustments or maintenance, including changing the blades and adjusting the depth of cut.
 - Contact with the blades.
 - Reaching under the base whilst the tool is running and making contact with the blade.
 - Kickback of workpiece and parts of workpiece.
 - Blade fracture.
 - Catapulting of faulty pieces from the blade.
 - STATUS power tools must not be used outdoors in rainy weather, or in moist environment (after rain) or in close vicinity with easily flammable liquids and gases. The working place should be well lit.

FUNCTIONAL DESCRIPTION

1	2	3
1. Rear handle	1. Blade drive shaft	1. Parallel fence guide
2. Lock off button	2. Tension unit	2. Parallel fence attachment knob
3. On/off switch trigger	3. Blade drive cover	3. Wing nut
4. Dust extraction tube	4. Screw	
5. Depth adjustment knob	5. Housing	
6. Dial disc	6. Adjusting screw	
7. Belt cover		
8. Rebate adjustment knob		

4. ASSEMBLY AND ADJUSTMENT

ASSEMBLY AND ADJUSTMENT



DANGER OF INJURY!

Before all adjustment and settings:

- Turn the power tool off
- Wait until the power tool has come to a complete standstill
- Disconnect the tool from the outlet

REMOVING OR INSTALLING PLANER BLADES (Fig.2)

As soon as one for the edges of the plane. Blades becomes blunt please turn plane. Blade or if worn out replace planer blades (only in pairs!)

1. Loosen the screws (4) by turning them to the right.
 2. Press the blade drive cover(3) down and pull the tension unit (2) out to the side complete with the planer blade.
 3. Pull the planer blade out of the tension unit.
 4. Clean the tension unit (2) and the blade drive shaft (1).
 5. Push the new planer blade all the way in at the side of the tension unit, making sure that the cam on the tension unit fits into the groove in the planing blade.
 6. Push the tension unit with the new planer blade into the drive shaft so that the edge of the planer blade is level with the edge of the housing (5).
 7. Press the tension unit against the drive shaft and fasten it by turning the screws (4) to the left.
 8. Turn the drive shaft through 180° and change the second set of planer blades as described.
- Do not move the adjusting screws(6)-the tension unit is adjusted in the factory.
 - Check that the planer blades do not rub against the housing.

Always change both planer blades and both tension units at once.

DEPTH CUT ADJUSTMENT

1. Turn the planing depth adjustment knob (5) to set the proper depth of cut.
2. One revolution of dial disc (6) equals a 2 mm. change in depth, one graduation corresponds to a depth of cut 0,25 mm.

CHAMFERING AND REBATING

1. To fit the rebate depth, select the desired value by the rebate adjustment knob (8).
2. The V-groove in the front base allows quick and easy chamfering of workpiece edges. Depending on required chamfered width, place the planer with the corresponding V-groove onto the edge of the workpiece and guide along the edge.

PARALLEL FENCE GUIDE (Fig.3)

WARNING: Always ensure that the tool is switched off and unplugged from the power supply before making adjustments, installing or removing blades.

1. To fit the parallel fence guide (1), remove the parallel fence attachment knob (2) and slide the fence guide onto the planer.
2. Replace the fence attachment knob (2) and tighten it firmly.
3. Loosen the wing nut (3) securing the fence slide, position the slide to the desired rebating width and re-tighten the wing nut.

5. OPERATION 6. MAINTENANCE

4. If it is necessary to rebate to a precise width, plane a scrap piece of wood, measure the rebate distance and adjust the setting if necessary.

OPERATION

SWITCH ON AND OFF (Fig.1)

Before engaging the on/off switch, check that the saw blade is properly fitted and run smoothly, the blade clamp screw is well tightened.

- Connect the plug to the power supply. To switch on the planer, press the lock off button (2) and pull the switch trigger (3).

Prior to operation, always observe the safety instructions.

Set the proper depth of cut, the move speed and depth of cut determine the kind of finish, for rough cutting the depth of cut can be increased, while for a good finish you should reduce the depth of cut and advance the tool more slowly.

PLANING

1. Rest the front base flat on the workpiece surface without the blades making any contact with the workpiece.
2. Switch on the tool and wait for the blades to reach full speed.
3. Move the tool gently forward, applying pressure on the tool.
4. Push the planer beyond the edge of the workpiece without tilting it downwards.
5. The rate of planing and the depth of cut determine the quality of the finish. For rough cutting, you can increase the depth of cut, however to achieve a good finish you will need to reduce the depth of cut and advance the tool more slowly.

NOTE: Planing is easier if you incline the workpiece slightly away from you so that you plane "downhill".

WARNING: Moving the machine too fast may cause a poor quality of cut and can damage the blades or the motor. Moving the machine too slowly may burn or mar the cut.

The proper feed rate will depend on the type of material being cut and the depth of the cut. Practice first on a scrap piece of material to gauge the correct feed rate and the cut dimensions.

WARNING: Clamp the workpiece to the bench.

MAINTENANCE

DRIVE BELT REPLACEMENT

To remove the belt. Remove the belt cover by unscrew the mounting bolt.

Wear the gloves, turn the driven pulley by one hand slowly and pull the belt out by another hand until the belt falls out of the pulley.

To install the belt. To install the belt, it is just the other way round.

GENERAL INSPECTION

When the carbon brushes are worn out, both brushes must be replaced simultaneously with genuine brushes at STATUS service centre for warranty and post-warranty service. If the replacement of the supply cord is necessary, this has to be done by the manufacturer or his agent in order to avoid a safety hazard.

7. SPECIFICATIONS / CE CONFIRMATION

CLEANING

For safe operation always keep the machine and its ventilation slots clean. Regularly check to see if any dust or foreign matter has entered the grills near the motor and around the switches. Use a soft brush to remove any accumulated dust. Wear safety glasses to protect your eyes whilst cleaning. If the body of the tool needs cleaning, wipe it with a soft damp cloth. A mild detergent can be used.

WARNING: Never use alcohol, petrol or other cleaning agent.
Never use caustic agents to clean plastic parts.

WARNING: Water must never come into contact with the tool.

IMPORTANT! To assure product safety and reliability, repairs, maintenance and adjustment (including brush inspection and replacement) should be performed by certified service centres or other qualified service organisations, always using genuine replacement parts.

SPECIFICATION

Model	PL82-2
Rating voltage	230-240V-50Hz
Rating power	610 W
Planning width	82 mm
Planning depth	2 mm ($\pm 10\%$)
No load speed	17000 RPM

Noise emission (measured values determined according to EN 60745):

A-weighted sound pressure level $L_{pA} = 87$ dB(A) Uncertainty $K_{pA} = 3.0$ dB
A-weighted sound power level $L_{wA} = 98$ dB(A) Uncertainty $K_{wA} = 3.0$ dB

Total vibration values (vector sum in the three axes) according to EN 60745

$a_h = 7,68$ m/s², Uncertainty $K = 1.5$ m/s²

ACCESSORIES

Planer PL82-2, parallel guide, depth guide ruler, wrench, instruction manual.

CE DECLARATION OF CONFORMITY

We STATUS ITALIA S.R.L. as the responsible manufacturer declare that the following STATUS machine(s): Planer Model No./ Type: PL82-2 are of series production and conforms to the following European Directives: Machine Directives: 2006/42/EC

And are manufactured in accordance with the following standards or standardised documents: EN60745-1:2009+A11:2010, EN 60745-2-14:2009+A2:2010, EK9-BE-88:2014, AfPS GS 2014:01PAK.

The technical documentation kept by the manufacturer: STATUS ITALIA S.R.L., via Aldo Moro, 14/A, 36060 - Pianeze (VI), ITALY

Caron Giacinto
Director
STATUS ITALIA S.R.L.

1. ALLGEMEINE SICHERHEITSHINWEISE

ALLGEMEINE SICHERHEITSHINWEISE



WARNUNG: Lesen Sie alle Sicherheitshinweise und Anweisungen. Versäumnisse bei der Einhaltung der Sicherheitshinweise und Anweisungen können elektrischen Schlag, Brand und schwere Verletzungen verursachen.

Bewahren Sie alle Sicherheitshinweise und Anweisungen für die Zukunft auf. Der in den Sicherheitshinweisen verwendete Begriff „Elektrowerkzeug“ bezieht sich auf netzbetriebene Elektrowerkzeuge (mit Netzkabel) und auf akkubetriebene Elektrowerkzeuge (ohne Netzkabel).

ARBEITSPLATZSICHERHEIT

- **Halten Sie Ihren Arbeitsbereich sauber und gut beleuchtet.** Unordnung oder unbeleuchtete Arbeitsbereiche können zu Unfällen führen.
- **Arbeiten Sie mit dem Elektrowerkzeug nicht in explosionsgefährdeter Umgebung, in der sich brennbare Flüssigkeiten, Gase oder Stäube befinden.** Elektrowerkzeuge erzeugen Funken, die den Staub oder die Dämpfe entzünden können.
- **Halten Sie Kinder und andere Personen während der Benutzung des Elektrowerkzeugs fern.** Bei Ablenkung können Sie die Kontrolle über das Gerät verlieren.

ELEKTRISCHE SICHERHEIT

- **Der Anschlussstecker des Elektrowerkzeuges muss in die Steckdose passen.** Der Stecker darf in keiner Weise verändert werden. Verwenden Sie keine Adapterstecker gemeinsam mit schutzgeerdeten Elektrowerkzeugen. Unveränderte Stecker und passende Steckdosen verringern das Risiko eines elektrischen Schlages.
- **Vermeiden Sie Körperkontakt mit geerdeten Oberflächen wie von Rohren, Heizungen, Herden und Kühlschränken.** Es besteht ein erhöhtes Risiko durch elektrischen Schlag, wenn Ihr Körper geerdet ist.
- **Halten Sie Elektrowerkzeuge von Regen oder Nässe fern.** Das Eindringen von Wasser in ein Elektrowerkzeug erhöht das Risiko eines elektrischen Schlages.
- **Zweckentfremden Sie das Kabel nicht, um das Elektrowerkzeug zu tragen, aufzuhängen oder um den Stecker aus der Steckdose zu ziehen.** Halten Sie das Kabel fern von Hitze, Öl, scharfen Kanten oder sich bewegenden Geräteteilen. Beschädigte oder verwickelte Kabel erhöhen das Risiko eines elektrischen Schlages.
- **Wenn Sie mit einem Elektrowerkzeug im freien arbeiten, verwenden Sie nur Verlängerungskabel, die auch für den Außenbereich geeignet sind.** Die Anwendung eines für den Außenbereich geeigneten Verlängerungskabels verringert das Risiko eines elektrischen Schlages.
- **Wenn der Betrieb des Elektrowerkzeuges in feuchter Umgebung nicht vermeidbar ist, verwenden Sie einen fehlerstromschutzschalter.** Der Einsatz eines Fehlerstromschutzschalters vermindert das Risiko eines elektrischen Schlages.

1. ALLGEMEINE SICHERHEITSHINWEISE

SICHERHEIT VON PERSONEN

- **Seien Sie aufmerksam, achten Sie darauf, was Sie tun, und gehen Sie mit Vernunft an die Arbeit mit einem Elektrowerkzeug.**
Benutzen Sie kein Elektrowerkzeug, wenn Sie müde sind oder unter dem Einfluss von Drogen, Alkohol oder Medikamenten stehen. Ein Moment der Unachtsamkeit beim Gebrauch des Elektrowerkzeuges kann zu ernsthaften Verletzungen führen.
 - **Tragen Sie persönliche Schutzausrüstung und immer eine Schutzbrille.**
Das Tragen persönlicher Schutzausrüstung, wie Staubmaske, rutschfeste Sicherheitsschuhe, Schutzhelm oder Gehörschutz, je nach Art und Einsatz des Elektrowerkzeuges, verringert das Risiko von Verletzungen.
 - **Vermeiden Sie eine unbeabsichtigte Inbetriebnahme. Vergewissern Sie sich, dass das Elektrowerkzeug ausgeschaltet ist, bevor Sie es an die Stromversorgung und/oder den Akku anschließen, es aufnehmen oder tragen.** Wenn Sie beim Tragen des Elektrowerkzeuges den Finger am Schalter haben oder das Gerät eingeschaltet an die Stromversorgung anschließen, kann dies zu Unfällen führen.
 - **Entfernen Sie Einstellwerkzeuge oder Schraubenschlüssel, bevor Sie das Elektrowerkzeug einschalten.** Ein Werkzeug oder Schlüssel, der sich in einem drehenden Geräteteil befindet, kann zu Verletzungen führen.
 - **Vermeiden Sie eine abnormale Körperhaltung. Sorgen Sie für einen sicheren Stand und halten Sie jederzeit das Gleichgewicht.** Dadurch können Sie das Elektrowerkzeug in unerwarteten Situationen besser kontrollieren.
 - **Tragen Sie geeignete Kleidung.** Tragen Sie keine weite Kleidung oder Schmuck. Halten Sie Haare, Kleidung und Handschuhe fern von sich bewegenden Teilen. Lockere Kleidung, Schmuck oder lange Haare können von sich bewegenden Teilen erfasst werden.
 - **Wenn Staubabsaug- und -auffangeinrichtungen montiert werden können, vergewissern Sie sich, dass diese angeschlossen sind und richtig verwendet werden.** Verwendung einer Staubabsaugung kann Gefährdungen durch Staub verringern.
- ### VERWENDUNG UND BEHANDLUNG DES ELEKTROWERKZEUGES
- **Überlasten Sie das Gerät nicht. Verwenden Sie für Ihre Arbeit das dafür bestimmte Elektrowerkzeug.** Mit dem passenden Elektrowerkzeug arbeiten Sie besser und sicherer im angegebenen Leistungsbereich.
 - **Benutzen Sie kein Elektrowerkzeug, dessen Schalter defekt ist.** Ein Elektrowerkzeug, das sich nicht mehr ein- oder ausschalten lässt, ist gefährlich und muss repariert werden.
 - **Ziehen Sie den Stecker aus der Steckdose und/oder entfernen Sie den Akku, bevor Sie Geräteeinstellungen vornehmen, Zubehörteile wechseln oder das Gerät weglegen.** Diese Vorsichtsmaßnahme verhindert den unbeabsichtigten Start des Elektrowerkzeuges.
 - **Bewahren Sie unbenutzte Elektrowerkzeuge außerhalb der Reichweite von Kindern auf.** Lassen Sie Personen das Gerät nicht benutzen, die mit diesem

2. SICHERHEITSHINWEISE FÜR DIE ARBEIT MIT HOBELN

nicht vertraut sind oder diese Anweisungen nicht gelesen haben.

Elektrowerkzeuge sind gefährlich, wenn Sie von unerfahrenen Personen benutzt werden.

- **Pflegen Sie Elektrowerkzeuge mit Sorgfalt. Kontrollieren Sie, ob bewegliche Teile einwandfrei funktionieren und nicht klemmen, ob Teile gebrochen oder so beschädigt sind, dass die Funktion des Elektrowerkzeuges beeinträchtigt ist.** Lassen Sie beschädigte Teile vor dem Einsatz des Gerätes reparieren. Viele Unfälle haben ihre Ursache in schlecht gewarteten Elektrowerkzeugen.
 - **Halten Sie Schneidwerkzeuge scharf und sauber.** Sorgfältig gepflegte Schneidwerkzeuge mit scharfen Schneidkanten verklemmen sich weniger und sind leichter zu führen.
 - **Verwenden Sie Elektrowerkzeug, Zubehör, Einsatzwerkzeuge usw. entsprechend diesen Anweisungen.** Berücksichtigen Sie dabei die Arbeitsbedingungen und die auszuführende Tätigkeit. Der Gebrauch von Elektrowerkzeugen für andere als die vorgesehenen Anwendungen kann zu gefährlichen Situationen führen.
- ### SERVICE
- **Lassen Sie Ihr Elektrowerkzeug nur von qualifiziertem Fachpersonal und nur mit Original-Ersatzteilen reparieren.** Damit wird sichergestellt, dass die Sicherheit des Elektrowerkzeuges erhalten bleibt.

SICHERHEITSHINWEISE FÜR DIE ARBEIT MIT HOBELN

- **Bevor Sie das Elektrowerkzeug beiseite legen, warten Sie ab bis die Messertrommel gestoppt ist.** Der offen liegende schneidende Drehteil des Hobels kann eine Oberfläche einschneiden, wodurch ein Kontrollverlust und ein ernsthafter Unfall entstehen können.
- **Das Elektrowerkzeug nur an den isolierten Griffflächen halten um einen Stromschlag zu vermeiden falls zufällig die Schneidmesser des Hobels während der Arbeit das Versorgungskabel beschädigen.** Elektrischer Strom kann vom Kabelschnitt über Metallgehäuseteile und Hand durch den Körper des Bedieners fließen und somit einen Stromschlag verursachen.
- **Das zu bearbeitende Material mit Klemmen oder anderen geeigneten Mitteln an einer stabilen Grundlage befestigen.** Die Haltung des Materials mit der Hand oder an den Körper gepresst ist nicht ausreichend und kann zum Verlust der Kontrolle führen.
- Tragen Sie stets Schutzbrille und Gehörschutz und verwenden Sie eine Staubmaske.
- Um eine eventuelle Überhitzung zu vermeiden, drehen Sie das verwendete Verlängerungskabel ganz von der Kabeltrommel.
- Falls die Verwendung einer Verlängerungsleitung erforderlich ist, stellen Sie sicher, dass ihr Querschnitt dem Nennstrom und dem verwendeten Elektrowerkzeug entspricht, sowie auch dass die Verlängerung in Ordnung ist.
- Nach längerem Betrieb können sich die Aussenmetallteile und Zubehörteile erwärmen.
- Schalten Sie das Elektrowerkzeug immer aus und lassen Sie es vollständig zum Stillstand kommen, bevor Sie es beiseite legen.

2. SICHERHEITSHINWEISE FÜR DIE ARBEIT MIT HOBELN

- Überlasten Sie das Elektrowerkzeug nicht – lassen Sie es mit einer vernünftigen Geschwindigkeit arbeiten. Ein Überlasten entsteht bei einem zu starken Druck, wobei der Elektromotor sich langsamer zu drehen beginnt. Als Ergebnis davon sinkt die Effektivität und eine Beschädigung des Elektromotors ist wahrscheinlich.
- Entfernen Sie Lappen, Schnüre, Bindfäden oder ähnliches Material welches sich um die Hobelmesser wickeln kann aus der Arbeitszone.
- Entfernen Sie vor dem Arbeitsbeginn alle Nägel, Schrauben und anderen Fremdkörper aus dem Fertigungsteil. Beim Einschneiden in einen Nagel oder einen anderen Metallkörper können Sie die Messer und das Elektrowerkzeug beschädigen, was eine Voraussetzung für einen Arbeitsunfall ist.
- Seien Sie außerordentlich vorsichtig, wenn Sie die Messer greifen.
- Vor dem Arbeitsbeginn überzeugen Sie sich, dass die Schrauben zum Befestigen der Messer gut festgezogen sind.
- Schützen Sie Ihre Hände vor beweglichen Teilen.
- Bevor Sie die Arbeit mit dem Elektrowerkzeug beginnen, lassen Sie es eine gewisse Zeit im Leerlauf drehen. Beobachten Sie ob es Schwingungen gibt, was ein Merkmal für schlechte Montage oder für nicht gut ausbalancierte Messer ist.
- Wenn Sie das Elektrowerkzeug einschalten, überzeugen Sie sich, dass kein Messer in Kontakt mit der zu bearbeitenden Oberfläche steht.
- Warten Sie einen Moment bis die Messer ihre volle Drehzahl erreicht haben, und beginnen Sie erst dann mit dem Hobeln.
- Halten Sie bei der Arbeit immer einen Mindestabstand von 20 cm des Gerät zum Gesicht und zum Körper ein.
- Schalten Sie das Gerät immer aus und warten Sie bis die Messertrommeln vollständig zum Stillstand gekommen sind bevor Sie Einstellarbeiten am Gerät vornehmen.
- Legen Sie ihre Finger niemals in die Spanabführung. Sie können sich in der Nut verklemmen, wenn Sie feuchtes Holzmaterial schneiden. Putzen Sie die Späne mit einem Stab, jedoch nur wenn die Maschine ausgeschaltet ist und wenn der Stecker aus der Steckdose gezogen ist.
- Lassen Sie das Elektrowerkzeug nicht ohne Aufsicht arbeiten.
- Wenn Sie den Hobel weglegen, schalten Sie ihn aus und stützen Sie seine Rückseite auf dem Zapfen, so dass die Messer nichts berühren.
- Wechseln Sie immer die beide Messer gleichzeitig, andernfalls wird das entstandene Ungleichgewicht zu einer Instabilität führen und wird die Standzeit der Messer und die Lebensdauer des Elektrowerkzeuges selbst verkürzen.

WARNUNG: Bevor Sie das Elektrowerkzeug ans Stromnetz anschliessen, stellen Sie sicher, dass die Spannung der Spannung, angegeben auf dem Geräteschild, entspricht. Eine Spannung, die höher als die Nennspannung ist, kann zu ernstesten Verletzungen führen, sowie auch Schäden am Elektrowerkzeug verursachen.

- Falls Sie nicht sicher sind, wie hoch die Netzspannung ist, schalten Sie das Elektrowerkzeug nicht ein.
- Falls die Spannung niedriger als die Nennspannung ist, wird der Motor beschädigt.
- Gehörprobleme, wenn keine effektiven Schutzmassnahmen getroffen werden.

3. ARBEITSHINWEISE

- Ziehen Sie immer den Stecker aus der Steckdose, bevor Sie das Elektrowerkzeug reparieren oder einstellen, auch wenn Sie die Hobelmesser wechseln oder die Spanntiefe einstellen.
- Berührung der Hobelmesser.
- Eindringen in der Arbeitszone unter der Grundplatte bei betriebener Maschine.
- Zurückspringen des Werkstoffes oder Teile davon.
- Hobelmesserbruch.
- Zerfliegen der Teile eines beschädigten Hobelmessers.
- Das Elektrowerkzeug nicht im Freien beim Regenwetter, in nasser Umgebung (nach Regen) oder in der Nähe von leicht brennbaren Flüssigkeiten und Gasen verwenden. Der Arbeitsplatz soll gut beleuchtet sein.

ARBEITSHINWEISE

Elemente des Elektrowerkzeugs

1

1. Handgriff
2. Lock-Taste des Schalters
3. Schalter
4. Staubsaugeranschluss
5. Regler zum Einstellen der Hobeltiefe
6. Tiefenmesser
7. Deckel des Antriebsriemens
8. Hebel zum Einstellen der Frästiefe

2

1. Zylinder
2. Spannungseinheit
3. Klingenlaufwerksabdeckung
4. Schraube
5. Gehäuse
6. Einstellschraube

3

1. Treiber für parallele Schneiden
2. Befestigungsschraube der Parallelführung
3. Flügelmuttern

Dieses Elektrowerkzeug wird mit einphasigem Wechselstrom versorgt. Es hat eine doppelte Isolation gemäß der EN 60745-1 und der IEC 60745, und kann an Steckdosen ohne Schutzklemmen angeschlossen werden. Die Rundfunkstörungen entsprechen der Richtlinie über die elektromagnetische Verträglichkeit 2004/108/EC.

BEVOR SIE MIT DER ARBEIT BEGINNEN

- Überprüfen Sie ob die Netzspannung der Spannung, angegeben auf dem Typenschild des Elektrowerkzeuges entspricht.
- Überzeugen Sie sich in der Unversehrtheit des Netzkabels und des Steckers. Falls das Netzkabel beschädigt ist, sollte sein Austausch nur vom Hersteller oder von einem Servicefachmann vorgenommen werden

3. ARBEITSHINWEISE

EINSTELLEN DER HOBELTIEFE

WARNUNG: Überzeugen Sie sich, dass das Elektrowerkzeug ausgeschaltet ist, und dass der Stecker aus der Steckdose gezogen ist, bevor Sie Einstellungen ändern oder die Messer des Hobels wechseln.

1. Zum tieferen Hobeln drehen Sie den Regler zum Einstellen der Hobeltiefe (5) im Uhrzeigersinn, und zu einem weniger tiefen Hobeln – gegen den Uhrzeigersinn.
2. Die Zahlen auf der Skala des Reglers (6) zum Einstellen der Tiefe des Hobelns geben an, in welchem Grad Sie den Hobel eingestellt haben.
3. Falls es erforderlich ist, Sie die Hobelstiefe genau zu bestimmen, bearbeiten Sie ein unnötiges Stück Holz, messen Sie die Differenzen in der Dicke und, machen sie eine wiederholte Einstellung wenn es notwendig ist.

WARNUNG: Wenn der Hobel nicht benutzt wird, überzeugen Sie sich, dass der Regler in Position "0" gestellt ist.

MONTAGE UND DEMONTAGE DER HOBELMESSER (Abb.2)

WARNUNG: Überzeugen Sie sich, dass das Elektrowerkzeug ausgeschaltet ist und ziehen Sie den Stecker aus der Steckdose bevor Sie die Messer montieren oder demontieren werden.

Der Hobel ist mit beidseitig geschärften Messern versehen. Die Messer können umgedreht werden, wenn sie auf einer Seite stumpf geworden sind. Wenn die beiden Seiten der Messer verschlissen sind, muss man die Messer wechseln.

BEMERKUNG: Die Messer können nicht nachträglich geschärft werden.

DEMONTAGE EINES MESSERS

WARNUNG: Die Messer sind sehr scharf. Seien Sie außerordentlich vorsichtig, wenn Sie die Messer greifen.

1. Lockern Sie die drei Befestigungsschrauben (4) mittels des Schraubenschlüssels.
2. Lassen Sie das Messer vom Schlitz zum Zylinder (1), in dem es sich befindet, gleiten.

MONTAGE EINES MESSERS

1. Drehen Sie das Messer um oder wechseln Sie es durch ein neues, falls dieses verschlissen ist.
2. Nehmen Sie das neue Messer und stellen Sie es zwischen den Träger und Halter.

BEMERKUNG: Die Kante entlang des Messers muss mit ihrer vorderen Seite zur Rückseite der Befestigung (4) gerichtet sein.

3. Ziehen Sie gleichmäßig die Schrauben fest. Zuerst ziehen Sie die beiden äußerst gelegenen Schrauben und am Ende – die Schraube in der Mitte fest.
4. Wiederholen Sie die Vorgehensweise auch für das andere Messer.

BEMERKUNG: Wenn die Messer verschlissen sind, muss man den Satz von zwei Messern wechseln, damit das Ungleichgewicht, gefährliche Schwingungen des Elektrowerkzeugs vermieden werden können.

EINSCHALTEN – AUSSCHALTEN

WARNUNG: Überprüfen Sie immer die Funktionsfähigkeit des Schalters (3) und der Arretiertaste des Schalters (2) bevor Sie den Stecker in die Steckdose stecken. Achten Sie beim Einschalten unbedingt darauf, dass die Messertrommel keine Oberfläche berührt.

3. ARBEITSHINWEISE

1. Stecken Sie den Stecker in die Steckdose, betätigen Sie die Arretiertaste (2) und drücken Sie den Schalter (3).
2. Um die Maschine zu stoppen, lassen Sie einfach den Schalter (3) los.
3. Wenn Sie die Maschine erneut starten wollen, ist es erforderlich gleichzeitig die Arretiertaste (2) zu betätigen und den Schalter (3) zu drücken. Das ist ein wichtiges Moment für die Gewährleistung des sicheren Betriebs der Maschine.

WARNUNG: Beachten Sie unbedingt, dass sich die Messer eine gewisse Zeit nach dem Ausschalten des Hobels noch drehen. Warten Sie ab, bis der Elektromotor gänzlich stoppt bevor Sie das Elektrowerkzeug beiseite legen, damit Sie eine Beschädigung der Messer oder der Oberfläche vermeiden können.

HOBELN

1. Stellen Sie die vordere Grundplatte waagrecht gegenüber der Oberfläche, die Sie bearbeiten werden, ohne sie mit den Messern zu berühren.
2. Schalten Sie das Elektrowerkzeug ein und warten Sie ab bis die Messer ihre volle Drehzahl erreichen.
3. Bewegen Sie die Maschine vorwärts vorsichtig, wobei Sie einen Druck auf den Hobel ausüben.
4. Schieben Sie den Hobel hinter dem Ende des bearbeitenden Teils ohne ihn nach unten zu neigen.
5. Die Geschwindigkeit der Bewegung des Hobels und die Tiefe des Hobelns bestimmen die Qualität des Endergebnisses. Zu einer gröbereren Bearbeitung können Sie die Schneidetiefe erhöhen. Zu einer feineren Bearbeitung müssen Sie die Tiefe reduzieren und den Hobel langsamer vorwärts schieben.

BEMERKUNG: Das Hobeln wird leichter sein, wenn Sie den bearbeitenden Teil mit einer leichten Neigung nach unten und nach außen stellen.

WARNUNG: Ein zu schnelles Vorwärtsschieben kann die Qualität der bearbeitenden Oberfläche verschlechtern, sowie die Messer oder den Elektromotor beschädigen. Zu langsames Vorwärtsschieben kann die bearbeitende Oberfläche anbrennen oder verderben.

Die passende Geschwindigkeit hängt von der Art des bearbeitenden Materials und von der Tiefe des Schneidens ab. Erproben Sie den Hobel zuerst auf einem unbrauchbaren Stück Material, damit Sie die zu diesem Zweck passende Geschwindigkeit und Tiefe bestimmen können.

WARNUNG: Befestigen Sie das bearbeitende Material gut am Arbeitstisch.

ABSCHRÄGEN UND FRÄSEN

1. Um Sie die Frästiefe einzustellen, wählen Sie den gewünschten Wert durch den Hebel zum Einstellen der Frästiefe.
2. Lockern Sie die Flügelmutter (8) der Parallelführung, und stellen Sie die gewünschte Frästiefe und ziehen Sie die Flügelmutter fest.

PARALLELFÜHRUNG (Abb.3)

WARNUNG: Überzeugen Sie sich, dass das Elektrowerkzeug ausgeschaltet ist, und dass der Stecker aus der Steckdose gezogen ist, bevor Sie die Einstellungen ändern, die Messer zu montieren oder zu demontieren.

4. WARTUNG

1. Um die Parallelführung (1) einzustellen, lösen Sie die Befestigungsschraube (2) und schieben Sie die Führung zum Gehäuse.
2. Schraube (2) wieder festziehen.
3. Lösen Sie die Flügelmutter (3) an der Parallelführung, positionieren Sie den Schiebeführer für die gewünschte Hobelbreite und ziehen Sie die Flügelmutter wieder fest.
4. Erproben Sie die Hobelbreite auf einem unbrauchbaren Stück Material bzw. ändern Sie die Einstellung auf die gewünschte Breite.

WECHSELN DES ANTRIEBSRIEMENS

WARNUNG: Überzeugen Sie sich, dass das Elektrowerkzeug ausgeschaltet ist, und dass der Stecker aus der Steckdose gezogen ist, bevor Sie Einstellungen ändern oder die Messer des Hobels wechseln.

1. Um den Antriebsriemen zu ersetzen, schrauben Sie zuerst die Kreuzschlitzschrauben ab, welche den Deckel des Antriebsriemens (Abb.1 - 7) an der linken Seite des Hobels, gesehen von hinten, halten
2. Ziehen Sie den abgenutzten Riemen heraus, wobei Sie ihn von der oberen Rolle abziehen, indem Sie die untere Rolle gleichzeitig mit der Hand drehen. Benutzen Sie eine weiche Bürste um die Rollen und die sie umgebende Fläche zu putzen.

BEMERKUNG: Tragen Sie eine Schutzbrille, wenn Sie die Rollen putzen.

3. Die vier geraden (ununterbrochenen)▲ Profile an der inneren Seite des Riemens müssen in die vier „V“ Rollkanäle dringen. Legen Sie den neuen Riemen auf die untere Rolle. Legen Sie das andere Ende des Riemens um die obere Rolle und drehen sie ihn bis er gespannt wird und die beiden Rollen antreibt.
4. Überprüfen Sie mit der Hand ob der Riemen sich frei dreht.
5. Legen Sie den Deckel wieder auf und ziehen Sie die drei Schrauben fest
6. Stecken Sie den Stecker in die Steckdose, schalten Sie die Maschine für eine Minute ein, um Sie sicher zu gehen, dass der Elektromotor und der Riemen gut funktionieren.

WARTUNG

WARNUNG: Schalten Sie das Elektrowerkzeug immer aus und ziehen Sie den Stecker aus der Steckdose vor jeder Überprüfung oder Wartung.

Überprüfen Sie regelmäßig alle festhaltenden Elemente und überzeugen Sie sich, dass sie gut festgezogen sind. Falls sich irgendwelche Schrauben gelockert haben, ziehen Sie diese unverzüglich fest, damit Sie Risikosituationen vermeiden können.

Schmieren Sie regelmäßig alle sich bewegenden Teile.

ALLGEMEINE ÜBERPRÜFUNG

Wenn die Kohlebürsten verschlissen sind, muss man beide Bürsten gleichzeitig mit Original- Bürsten in einem STATUS – Service für Garantie- und Außergarantieinstandhaltung ersetzen lassen. Falls das Netzkabel beschädigt ist, darf nur der Hersteller oder ein Servicemachmann des Herstellers den Austausch ausführen.

REINIGUNG

Zu einer sicheren Arbeit halten Sie die Maschine und die Ventilationsöffnungen immer sauber. Überprüfen Sie regelmäßig ob kein Staub oder Fremdkörper durch das Ventila-

5. TECHNISCHE DATEN / KONFORMITÄTSERKLÄRUNG

tionsgitter in der Nähe des Elektromotors oder um die Schalter eingedrungen sind. Benutzen Sie eine weiche Bürste um den angehäuften Staub zu beseitigen. Um Ihre Augen zu schützen, tragen Sie während der Reinigung eine Schutzbrille. Wenn das Gehäuse der Maschine eine Reinigung braucht, wischen Sie ihn mit einem weichen feuchten Tuch ab. Man kann auch ein verdünntes Spülmittel benutzen.

WARNUNG: Der Gebrauch von Spiritus, Benzin oder anderer Lösungsmittel ist unzulässig. Benutzen Sie niemals ätzende Mittel zum Reinigen der Kunststoffteile.

WARNUNG: Der Kontakt der Maschine mit Wasser ist unzulässig.

WICHTIG! Um eine gefahrlose Arbeit mit dem Elektrowerkzeug und seine Zuverlässigkeit zu sichern, muss man alle Tätigkeiten zur Reparatur, Instandhaltung und Regulierung (einschließlich die Überprüfung und der Austausch der Bürsten) in den autorisierten STATUS – Servicen mit Anwendung nur von originellen Ersatzteilen ausführen lassen.

TECHNISCHE DATEN

Modell	PL82-2	Spantiefe	2 mm (±10%)
Spannung	230-240V-50Hz	Leerlaufdrehzahl	17000 RPM
Nennaufnahme	610 W	Gewicht	2,9 kg
Hobelbreite	82mm		

Geräuschemissionswerte:

Der A-bewertete Schalldruckpegel $L_{pA} = 87 \text{ dB(A)}$ Messunsicherheit $K_{pA} = 3.0 \text{ dB}$

Der A-bewertete Schalleistungspegel $L_{wA} = 98 \text{ dB(A)}$ Messunsicherheit $K_{wA} = 3.0 \text{ dB}$

Schwingungsgesamtwerte (Vektorsumme dreier Richtungen)

ermittelt entsprechend EN 60745

Schwingungsemissionswert

$a_h = 7,68 \text{ m/s}^2$ Messunsicherheit $K = 1.5 \text{ m/s}^2$

ZUBEHÖR: Hobel PL82-2, Parallelführung, Tiefenführungslinial, Schraubenschlüssel, Bedienungsanleitung.

KONFORMITÄTSERKLÄRUNG

Hiermit versichern wir unsere persönliche Haftung, dass dieses Erzeugnis allen einschlägigen Bestimmungen folgender Richtlinien und entsprechender harmonisierten Standards entspricht: 2006/42/EC

EN 60745-1:2009+A11:2010, EN 60745-2-14:2009+A2:2010, EK9-BE-88:2014, AfPS GS 2014:01PAK.

Caron Giacinto
Director
STATUS ITALIA S.R.L.

Die technischen Unterlagen werden bei STATUS ITALIA S.R.L., via Aldo Moro, 14/A, 36060 - Pianezze (VI), ITALIA, aufbewahrt.

ISTRUZIONI GENERALI DI SICUREZZA

ATTENZIONE! Leggere tutte le istruzioni d'uso e le avvertenze di sicurezza.

L'inosservanza delle istruzioni seguenti può causare folgorazioni, incendi e/o gravi danni a persone. Conservare con cura queste istruzioni.

Il termine "utensile" in tutte le avvertenze successive si riferisce sia agli utensili collegati alla rete elettrica (con cavo di alimentazione) che agli utensili a batteria (senza cavo).

AREA DI LAVORO

- **Mantenere l'area di lavoro pulita e ben illuminata.** Le zone buie ed ingombre di oggetti favoriscono incidenti.
- **Non utilizzare l'utensile in presenza di liquidi infiammabili, gas o polvere.** Le scintille generate potrebbero infiammare polvere e/o vapore.
- **Tenere a distanza bambini e terzi durante il funzionamento.** Per una distrazione potreste perdere il controllo dell'utensile.

SICUREZZA ELETTRICA

- **La spina dell'utensile deve essere adatta alla presa utilizzata. Non modificare la spina in alcun modo. Non utilizzare adattatori con gli utensili collegati a terra.** L'impiego di una spina integra ed una presa adatta riduce i rischi di folgorazione.
- **Evitare di toccare con il corpo le superfici collegate a terra quali tubi, radiatori, forni e frigoriferi.** Il rischio di folgorazione aumenta se il corpo è collegato a terra.
- **Non esporre l'utensile alla pioggia e all'umidità.** La penetrazione d'acqua nell'utensile aumenta il rischio di folgorazione.
- **Non utilizzare il cavo per scopi diversi da quello previsto. Non utilizzare il cavo per trasportare o tirare l'utensile, oppure per staccare la spina dalla presa. Tenere il cavo lontano da fonti di calore, olio, parti appuntite o in movimento.** Cavi danneggiati o attorcigliati aumentano il rischio di folgorazione.
- **Se l'utensile viene utilizzato all'aperto, usare una prolunga adatta all'uso esterno.** L'impiego di una prolunga da esterno reduce il rischio di folgorazione.
- **Se il lavoro in un ambiente umido è strettamente necessario, utilizzare una presa protetta da dispositivo a corrente residua.** Ciò reduce i rischi di scosse.

SICUREZZA PERSONALE

- **L'uso di elettroscandali richiede attenzione e buon senso. Non utilizzare gli utensili se si è stanchi o sotto l'effetto di droghe, alcol o medicinali.** Una breve disattenzione può provocare gravi danni alle persone.
- **Munirsi di indumenti e dispositivi di protezione. Indossare sempre occhiali da lavoro.** L'uso di dispositivi di protezione tra cui mascherina antipolvere, scarpe antiscivolo, casco e protezioni per l'udito riduce il rischio di danni a persone.
- **Evitare l'accensione accidentale. Accertarsi che l'interruttore sia in posizione "OFF" prima di inserire la spina.** Se si trasportano gli utensili con il dito sull'interruttore o si inserisce la spina nella presa con l'interruttore in posizione "ON" aumenta il rischio di incidenti.
- **Togliere tutte le chiavi di regolazione prima di accendere l'utensile.** Una chiave lasciata inserita in una parte rotante di un utensile può provocare danni a persone.

- **Non utilizzare l'utensile in condizioni estreme. Mantenere sempre l'equilibrio ed i piedi ben appoggiati a terra.** Questo consente un maggior controllo dell'utensile in caso di imprevisti.
- **Indossare un abbigliamento adeguato. Non indossare abiti svolazzanti o gioielli. Tenere capelli, vestiti, e guanti lontani dalle parti in movimento.** Abiti svolazzanti, gioielli o capelli potrebbero impigliarsi nelle parti in movimento.
- **In presenza di apparecchiature per il collegamento a dispositivi di aspirazione e raccolta delle polveri, accertarsi che essi siano collegati ed utilizzarli correttamente.** L'uso di queste apparecchiature può ridurre i rischi causati dalla polvere.

USO E MANUTENZIONE DELL'UTENSILE

- **Utilizzare l'utensile più adatto per il lavoro da svolgere.** L'impiego dell'utensile giusto migliora la qualità del lavoro e la sicurezza.
- **Non utilizzare l'utensile se non è possibile accenderlo e spegnerlo con l'apposito interruttore.** Gli utensili che non possono essere controllati con l'interruttore sono pericolosi e devono essere riparati.
- **Staccare la spina dall'alimentazione di corrente prima di eseguire regolazioni, cambiare accessori o riporre l'utensile.** Osservando queste precauzioni si riduce il rischio di accensione accidentale dell'utensile.
- **Riporre gli utensili non utilizzati fuori dalla portata dei bambini e non consentirne l'utilizzo a persone che non conoscono l'utensile o queste istruzioni.** Nelle mani di persone inesperte gli utensili possono diventare pericolosi.
- **Sottoporre l'utensile a manutenzione. Verificare il corretto allineamento di tutte le parti mobili, controllare che non siano grippate e che non vi siano rotture o altri guasti che potrebbero influire sul funzionamento dell'utensile.** Far riparare gli utensili danneggiati prima di riutilizzarli. Molti incidenti sono causati da utensili in pessime condizioni.
- **Tenere le punte e gli strumenti da taglio puliti ed affilati.** Se sottoposti ad una regolare manutenzione e pulizia consentono di lavorare in modo più preciso e sono maggiormente controllabili.
- **Utilizzare l'utensile, gli accessori, gli attrezzi etc. secondo quanto indicato in queste istruzioni nonché tenendo in considerazione le condizioni di lavoro e il lavoro da eseguire.** L'impiego di utensili per scopi diversi da quelli per cui sono stati progettati può dare origine a situazioni pericolose.

MANUTENZIONE

- **Far riparare l'utensile da personale qualificato che utilizzi solo parti di ricambio originali.** In caso contrario la sicurezza dell'utensile potrebbe risultare compromessa.

2. REGOLE SUPPLEMENTARI DI SICUREZZA NEL LAVORO CON PIALLE ELETTRICHE

REGOLE SUPPLEMENTARI DI SICUREZZA NEL LAVORO CON PIALLE

- **Prima di adagiare l'elettrotensile aspettare sempre che il cilindro portacoltelli si sia arrestato.** La parte aperta tagliente della pialla, che gira, potrebbe incassarsi in qualche superficie, provocando così la perdita di controllo ed un grave infortunio.
- **Quando si eseguono lavori in cui vi è pericolo che l'accessorio impiegato possa arrivare a toccare cavi elettrici nascosti oppure anche il cavo elettrico della macchina stessa, tenere l'elettrotensile afferrandolo sempre alle superfici di impugnatura isolate.** Un contatto con un cavo elettrico mette sotto tensione anche le parti in metallo dell'elettrotensile e provoca quindi una scossa elettrica.
- **Usare staffe o altro modo conveniente per fissare il pezzo da lavorare ad una base stabile.** Tenere il materiale lavorato con la mano o contro il corpo risulta instabile e potrebbe provocare la perdita di controllo.
- Portare sempre occhiali protettivi e cuffie antirumore, e usare maschera antipolvere.
- Per ovviare all'eventuale surriscaldamento, svolgere sempre completamente il cavo di prolunga con rocchetto.
- Quando si deve usare una prolunga, accertarsi che la sua sezione corrisponda alla corrente nominale dell'elettrotensile usato, nonché dello stato di efficienza della prolunga.
- Dopo un lavoro continuativo le parti metalliche esterne e gli accessori potrebbero arroventarsi.
- Disinserire sempre l'elettrotensile prima di posarlo in disparte.
- Non sovraccaricare l'elettrotensile - lasciarlo funzionare ad una velocità ragionevole. Sovraccarico può avvenire se si esercita una pressione eccessiva, allora il motore elettrico comincerà a rotare più lentamente e di conseguenza l'efficienza sarà ridotta, ed è probabile un danneggiamento del motore stesso.
- Sempre quando è possibile, usare un sistema di depolverizzazione.
- Non è ammessa la presenza nell'area di lavoro di stracci, panni, stoppa, spago, cordone o simili.
- Prima di cominciare il lavoro rimuovere dal pezzo da lavorare tutti i chiodi, viti o altri corpi estranei. Imbattendosi in un chiodo o altro corpo metallico, si potrebbero rovinare i coltelli e l'elettrotensile, e quindi si potrebbe provocare un infortunio sul lavoro.
- Stare molto cauti nel tenere i coltelli.
- Prima di cominciare il lavoro accertarsi che le viti per il fissaggio dei coltelli siano serrate bene.
- Tenere l'elettrotensile saldamente con entrambe le mani.
- Guardarsi dal toccare con le mani le parti moventi.
- Prima di cominciare il lavoro con l'elettrotensile, lasciarlo funzionare per qualche tempo a vuoto. Stare attenti per la presenza di vibrazioni, le quali indicherebbero cattivo montaggio o lame bilanciate male.
- Nell'inserire l'elettrotensile accertarsi che nessun coltello si trova in contatto con la superficie lavorata.
- Aspettare finché le lame raggiungano la piena velocità, prima di cominciare a piallare.

2. REGOLE SUPPLEMENTARI DI SICUREZZA NEL LAVORO CON PIALLE ELETTRICHE

- Tenere l'elettrotensile durante il lavoro ad un minimo di 200 mm dal viso e dal corpo.
 - Disinserire sempre l'elettrotensile ed aspettare finché le lame si arrestino completamente, prima di fare qualsiasi aggiustaggio.
 - Non mettere mai le dita sullo scivolo per i trucioli. Esse potrebbero incepparsi nello scivolo, quando si taglia legno umido. Portare via i trucioli con una stecca, ma solo quando la macchina è disinserita e la sua spina è staccata dalla presa.
 - Non lasciare l'elettrotensile a funzionare senza essere sorvegliato. Lavorare con esso soltanto quando è controllato con ambedue le mani.
 - Nel posare la pialla disinserirla e appoggiarla su un blocchetto di legno con la sua base anteriore in alto, di modo che i coltelli non tocchino niente.
 - Sostituire sempre i tre coltelli nello stesso tempo, altrimenti il risultante sbilanciamento causerà instabilità e ridurrà la vita dei coltelli e dell'elettrotensile.
- ATTENZIONE:** Prima di innestare l'elettrotensile alla rete di alimentazione (presa, portalampada) accertarsi che la tensione di alimentazione sia la stessa come quella riportata sulla targhetta dati tecnici dell'elettrotensile. Tensione di alimentazione superiore alla nominale, può causare seri traumi all'utente, nonché un guasto alla macchina.
- Se non si è certi circa la tensione, non inserire l'elettrotensile.
 - Se la tensione è inferiore a quella nominale, il motore elettrico si guasterà.
 - Usare l'elettrotensile soltanto secondo la sua destinazione d'uso. Qualsiasi altro impiego, differente da quello descritto in questo manuale di istruzioni, verrà considerato erraneo. La responsabilità per qualsiasi guasto o ferimento che risulta da uso erraneo, cadrà sull'utente, e non sul fabbricante.
 - Per sfruttare correttamente questo elettrotensile, si devono rispettare le regole di sicurezza, le istruzioni generali, e le istruzioni di funzionamento qui riportate. Tutti gli utenti devono conoscere queste istruzioni di servizio ed essere informati dei potenziali rischi nel lavoro con l'elettrotensile. Bambini e persone fisicamente deboli non devono usare l'elettrotensile. I bambini devono essere sotto continua sorveglianza se si trovano vicino ad un luogo dove si lavora con l'elettrotensile. È obbligatorio prendere anche precauzioni di sicurezza. Lo stesso concerne pure l'osservanza delle regole principali relative alla salute e alla sicurezza sul posto di lavoro.
 - Problemi con l'udito, se non sono adoperate precauzioni efficienti.
 - Disinserire sempre la spina dalla presa prima di riparare o riaggiustare l'elettrotensile, anche quando vengono sostituite le lame, o viene regolata la profondità di piallatura.
 - Contatto con le lame.
 - Penetrazione nell'area di lavoro sotto la base con la macchina in funzione.
 - Colpo di rimbalzo (contraccolpo) del materiale lavorato o di frammenti di esso.
 - Rottura di un coltello.
 - Dispersione di frantumi di una lama danneggiata.
 - Non usare l'elettrotensile all'aperto quando piove, in un ambiente umido (dopo una pioggia), o in vicinanza di liquidi o gas infiammabili. Mantenere il posto di lavoro ben illuminato.

DESCRIZIONE DEL FUNZIONAMENTO

Leggere tutte le avvertenze di pericolo e le istruzioni operative. In caso di mancato rispetto delle avvertenze di pericolo e delle istruzioni operative si potrà creare il pericolo di scosse elettriche, incendi e/o incidenti gravi.

Si prega di aprire la pagina su cui si trova raffigurata schematicamente la macchina e lasciarla aperta mentre si legge il manuale delle Istruzioni per l'uso.

Uso conforme alle norme

L'elettrotensile è idoneo per la piallatura di superfici resistenti di legno come p. es. travi ed assi. Lo stesso è adatto anche per il taglio obliquo di bordi e per la scanalatura.

COMPONENTI ILLUSTRATI

La numerazione dei componenti illustrati si riferisce all'illustrazione dell'elettrotensile che si trova sulla pagina con la rappresentazione grafica.

- 1**
1. Maniglia posteriore.
 2. Blocco del pulsante
 3. Interruttore On/off trigger
 4. Polvere tubo di estrazione
 5. Manopola di regolazione della profondità
 6. Quadrante disco
 7. Coperchio della cinghia
 8. Leva per regolare la profondità di fresatura

- 2**
1. Albero della lama
 2. Tensione unità
 3. Lama in auto copertura
 4. Vite
 5. Custodia
 6. Vite di regolazione

- 3**
1. Guida di taglio parallelo
 2. Vite per fessaggio della guida di taglio parallelo
 3. Dado ad alette

MONTAGGIO

• **Prima di qualunque intervento sull'elettrotensile estrarre la spina di rete dalla presa.**

CAMBIO DEGLI UTENSILI

• **Prestare attenzione cambiando la lama per piallare. Non afferrare la lama per piallare ai bordi taglienti.** E' possibile ferirsi se si afferra la lama ai bordi molto affilati.

Utilizzare esclusivamente lama per piallare STATUS. La lama per piallare in metallo duro è a doppio taglio ed è a perdere.

RIMOZIONE O'INSTALLAZIONE LAME PIALLA (Fig.2)

Non appena uno dei bordi della lama si usura o si spunta fare girare piano e sostituire la lama.

1. Allentare le viti (4) girando poi a destra.

2. Premere la lama di copertura(3) verso il basso e tirare la tensione unità (2) di lato completa con la pialla lama.
3. Tirare la lama pialla la tensione unità.
4. Pulire la tensione unità (2) e l'albero della lama (1).
5. Spingere la nuova pialla lama in a lato della tensione unità di marcatura assicuratevi che la cam sulla tensione unità si inserisca nella scanalatura della pianificazione lama.
6. Spingere la tensione unità con la pialla nuova lama in l'albero motore in modo che il il bordo della lama pialla è il livello in cui il bordo della scatola (5).
7. Premere la tensione unit contro l'Albero e fissarlo ruotando le viti(4) a sinistra.
8. Ruotare l'albero motore fino a 180°e modificare il secondo set di lame pialladescritto.
 - Non spostare le viti di regolazione (6) - la tensione unità è regolato in fabbrica.
 - Controllare che le lame pialla non strofinare contro la custodia.Sostituire sempre le lame pialla e entrambe le tensioni unità in una sola volta.

ASPIRAZIONE POLVERE/ASPIRAZIONE TRUCIOLI

• Polveri e materiali come vernici contenenti piombo, alcuni tipi di legname, minerali e metalli possono essere dannosi per la salute. Il contatto oppure l'inalazione delle polveri possono causare reazioni allergiche e/o malattie delle vie respiratorie dell'operatore oppure delle persone che si trovano nelle vicinanze.

Determinate polveri come polvere da legname di faggio o di quercia sono considerate cancerogene, in modo particolare insieme ad additivi per il trattamento del legname (cromato, protezione per legno). Materiale contenente amianto deve essere lavorato esclusivamente da personale specializzato.

- Utilizzate, se possibile, un sistema di aspirazione delle polveri.

- Provvedere per una buona aerazione del posto di lavoro.

- Si consiglia di portare una mascherina protettiva con classe di filtraggio P2.

Osservare le norme in vigore nel Vostro paese per i materiali da lavorare.

Pulire regolarmente l'espulsione trucioli (4). Per pulire un'espulsione trucioli intasata utilizzare un attrezzo adatto, p. es. un pezzo di legno, aria compressa, ecc.

• Non avvicinare mai le mani all'espulsione dei trucioli. Le parti rotanti costituiscono un concreto pericolo.

Per garantire un'aspirazione ottimale utilizzare sempre un dispositivo di aspirazione esterno oppure un sacchetto raccogli-polvere/raccogli-trucioli.

ASPIRAZIONI ESTERNA

Nell'espulsione trucioli può essere inserito un tubo di aspirazione (Ø 35 mm).

Collegare il tubo di aspirazione con un aspirapolvere.

L'aspirapolvere deve essere adatto per il materiale da lavorare.

Utilizzare un aspiratore speciale per l'aspirazione di polveri particolarmente nocive per la salute, cancerogene oppure polveri asciutte.

ASPIRAZIONE PROPRIA

Per piccoli lavori può essere collegato un sacchetto raccogli-polvere/raccogli-trucioli.

Inserire saldamente la bocchetta del sacchetto raccogli-polvere nell'espulsione trucioli (4).

Svuotare per tempo il sacchetto raccogli-polvere/raccogli-trucioli affinché l'aspirazione della polvere possa rimanere ottimale.

USO

MODI OPERATIVI

REGOLAZIONE DELLA PROFONDITÀ DI PASSATA

Con la manopola (5) è possibile regolare in continuo la profondità di passata di 0-2,0 mm in base alla scala profondità di passata 6 (graduazione = 0,25 mm).

MESSA IN FUNZIONE

- **Osservare la tensione di rete! La tensione della rete deve corrispondere a quella indicata sulla targhetta dell'elettrotensile. Gli elettrotensili con l'indicazione di 230 V possono essere collegati anche alla rete di 220 V.**

AVVIAMENTO - ARRESTO

ATTENZIONE: Prima di innestare la spina nella presa verificare sempre se l'interruttore (3) ed il pulsante di blocco (2) siano in ordine. Prima di accendere la macchina accertarsi che il cilindro portacoltelli non tocchi nessuna superficie.

1. Innestare la spina nella presa, premere il pulsante di blocco (2) e tirare l'interruttore (3).
2. Per arrestare la macchina semplicemente rilasciare l'interruttore (3).
3. Se si desidera rimettere in marcia l'apparecchio, è necessario azionare contemporaneamente il pulsante di blocco (2) e l'interruttore ON/OFF (3). Questo è un momento importante per provvedere una sicurezza nel lavoro con la macchina.

ATTENZIONE: Tener presente per favore che i coltelli continuano a girare per qualche tempo dopo lo spegnimento della pialla. Aspettare finché il motore elettrico si sia arrestato completamente, prima di posare l'elettrotensile in disparte, per prevenire un danneggiamento dei coltelli o della superficie.

PIALLATURA

1. Mettere la base anteriore in posizione orizzontale rispetto alla superficie da trattare, senza permettere ai coltelli di toccarla.
2. Inserire l'elettrotensile e aspettare che le lame raggiungano la piena velocità.
3. Muovere attentamente la macchina in avanti, esercitando pressione sulla pialla.
4. Spingere la pialla oltre l'estremità del pezzo da lavorare, senza inclinarla in giù.
5. La velocità di avanzamento della pialla e la profondità di piallatura determinano la qualità del risultato finale. Per un trattamento più ruvido si può aumentare la profondità di taglio. Per un trattamento più fine si deve ridurre la profondità e far avanzare la pialla più lentamente.

N.B.: La piallatura sarà più facile se si mette il pezzo da lavorare con una lieve inclinazione diretta in giù e in fuori.

ATTENZIONE: L'avanzamento troppo veloce potrebbe peggiorare la qualità della superficie lavorata, danneggiare i coltelli o il motore elettrico. L'avanzamento troppo lento può scottare o peggiorare la qualità della superficie lavorata. La velocità adatta dipende dal tipo del materiale lavorato e dalla profondità di taglio. Sperimentare prima con la pialla su un pezzo inutile di materiale, per poter determinare la velocità e la profondità necessarie per lo scopo.

ATTENZIONE: Fissare il materiale da lavorare al tavolo da lavoro.

SMUSSATURA E FRESATURA

1. Per impostare la profondità di fresatura, scegliere il valore desiderato a mezzo della leva per regolare la profondità di fresatura (8).
2. Allentare il dado ad alette della guida parallela (Fig.3 - 1), mettere il corsoio alla larghezza

za di fresatura desiderata, e stringere di nuovo il dado ad alette (Fig.3 - 2).

GUIDA PARALLELA (Fig.3)

ATTENZIONE: Accertarsi che l'elettrotensile è disinserito e che la spina è disinnestata dalla presa, prima di cambiare gli aggiustaggi o di sostituire i coltelli della pialla.

1. Per mettere la guida parallela (1), rimuovere la vite di fissaggio (2) e far scivolare la guida verso la pialla.
2. Porre la vite di fissaggio (2) alla guida parallela e stringerla bene.
3. Allentare il dado ad alette (3) del corsoio, mettere in posizione il corsoio alla larghezza di piallatura desiderata, e stringere di nuovo.
4. Se si desidera rendere più precisa la larghezza di piallatura, sperimentare prima con la pialla su un materiale inutile, misurare la striscia piallata e, se necessario, modificare gli aggiustaggi.

SOSTITUZIONE DELLA CINGHIA DI TRASMISSIONE

ATTENZIONE: Accertarsi che l'elettrotensile è disinserito e che la spina è disinnestata dalla presa, prima di cambiare gli aggiustaggi o di sostituire i coltelli della pialla.

1. Per sostituire la cinghia di trasmissione, svitare prima le due viti a croce, le quali tengono il coperchio della cinghia di trasmissione (7) dalla parte sinistra della pialla, vista da dietro.
2. Togliere la cinghia logora, tirandola fuori dal rullo superiore, girando nello stesso tempo a mano il rullo inferiore. Usare una spazzola soffice, per pulire i rulli e l'area intorno ad essi.
N.B.: Indossare occhiali protettivi nel pulire i rulli.
3. I quattro profili dritti (continui) ▲ nella parte interna della cinghia devono entrare nelle quattro scanalature a "V" dei rulli. Collocare la nuova cinghia nel rullo nuovo. Sistemare l'altra estremità della cinghia intorno al rullo superiore e rotarlo finché sia tesa e cominci a muovere i due rulli.
4. Verificare a mano se la cinghia giri liberamente.
5. Riporre il coperchio e stringere le viti.
6. Innestare la spina nella presa, avviare la macchina per un minuto, per essere certi che il motore elettrico e la cinghia funzionano bene.

MANUTENZIONE

ATTENZIONE: Disinserire sempre l'elettrotensile e disinnestare la spina dalla presa prima di effettuare qualsiasi riparazione, ispezione o manutenzione.

Controllare regolarmente che le viti della carcassa siano strette fermamente. Dopo molto tempo di lavoro le viti potrebbero allentarsi a causa delle vibrazioni. Lubrificare regolarmente tutte le parti moventi.

CONTROLLO GENERALE

Quando le spazzole diventano usurate, tutte e due le spazzole vanno sostituite simultaneamente con spazzole originali in un centro assistenza STATUS per manutenzione in o fuori garanzia. Se il cavo di alimentazione viene danneggiato, la sostituzione va effettuata dal fabbricante o da un suo specialista di centro assistenza, per ovviare ai pericoli che risulterebbero in seguito alla sostituzione.

4. DATI TECNICI

5. DICHIARAZIONE DI CONFORMITÀ

PULIZIA

Per un lavoro sicuro mantenere sempre puliti l'apparecchio e i fori di ventilazione. Verificare regolarmente se nella griglia di ventilazione accanto al motore elettrico, o intorno ai commutatori, non siano penetrati polvere o corpi estranei. Usare la spazzola soffice per rimuovere la polvere ammassata. Per proteggere gli occhi durante la pulizia, portare occhiali protettivi. Se la carcassa dell'apparecchio necessita pulitura, strofinarla con un panno soffice e umido. Si può usare un detergente debole.

ATTENZIONE: Non è ammesso l'uso di alcool, benzina o altri solventi. Non usare mai preparati corrosivi per pulire le parti di plastica.

ATTENZIONE: Non è ammesso il contatto di acqua con l'apparecchio.

IMPORTANTE: Per provvedere a un lavoro sicuro con l'elettrotensile e alla sua affidabilità, tutte le operazioni di manutenzione, riparazione e regolazione (ivi incluse la verifica e la sostituzione delle spazzole) vanno effettuate nei centri assistenza autorizzati STATUS, con l'impiego soltanto di pezzi di ricambio originali.

DATI TECNICI

Pialletto	PL82-2	Profondità di passata(mm)	2,0 (±10%)
Codice prodotto	0 50 711 01	Larghezza di piallatura (mm)	82
Potenza nominale assorbita (W)	610	Peso in funzione della	
Tensione (V-Hz)	230-240 ~ 50	EPTA-Procedure 01/2003 (kg)	2,9
Numero di giri a vuoto (RPM)	17000	Classe di sicurezza	II

INFORMAZIONI SUL RUMORE E SULLE VIBRAZIONI

Emissione di rumore (I valori sono stati misurati conformemente all'EN 60745):

A- livello di pressione sonora ponderata $L_{pA} = 87$ dB(A) Indeterminazione $K_{pA} = 3.0$ dB

A- livello di potenza sonora ponderata $L_{WA} = 98$ dB(A) Indeterminazione $K_{WA} = 3.0$ dB

Valore totale delle vibrazioni (somma vettoriale lungo i tre assi) determinato conformemente all'EN 60745

$a_h = 7,68$ m/s², $K = 1.5$ m/s²


ACCESSORI: Guida parallela, guida di profondità, cacciavite, manuale.

DICHIARAZIONE DI CONFORMITÀ CE

Con la presente dichiariamo che **Pialletto STATUS PL82-2** corrisponde alle seguenti direttive UE in materia nella rispettiva versione valida: 2006/42/EC.

Per garantire la conformità sono state applicate le seguenti norme armonizzate e anche le norme e disposizioni nazionali che seguono: EN60745-1:2009+A11, EN 60745-2-14:2009+A2:2010, EK9-BE-88:2014, AfPS GS 2014:01PAK.

Il produttore è il solo responsabile della stesura della presente dichiarazione di conformità: STATUS ITALIA S.R.L., via Aldo Moro, 14/A, 36060 - Pianezze (VI), ITALIA


Caron Giacinto
L'Amministratore
STATUS ITALIA S.R.L.

1. ОБЩИ УКАЗАНИЯ ЗА БЕЗОПАСНОСТ

ОБЩИ УКАЗАНИЯ ЗА БЕЗОПАСНОСТ

ПРЕДУПРЕЖДЕНИЕ! Четете всички предупреждения и указания за безопасност. Неспазването на предупрежденията и указанията за безопасност може да предизвика поражение от електрически ток, пожар и/или сериозно нараняване.

Запазете всички предупреждения и указания за бъдещо ползване.

Терминът "електроинструмент" във всички описани по-долу предупреждения се отнася до вашия електроинструмент, захранван от мрежата (с шнур) и/или електроинструмент, захранван от акумулаторна батерия (без шнур).

БЕЗОПАСНОСТ НА РАБОТНОТО МЯСТО

- **Поддържайте работното място чисто и добре осветено.** Безпорядъкът и недостатъчното осветление са предпоставка за трудови злополуки.
- **Не работете с електроинструменти в експлозивни атмосфери при наличие на запалими течности, газове или прах.** Електроинструментите образуват искри, които могат да възпламенят праха или парите.
- **Дръжте децата и страничните лица на разстояние, когато работите с електроинструмент.** Разсейването може да доведе до загуба на контрол от Ваша страна.

ЕЛЕКТРИЧЕСКА БЕЗОПАСНОСТ

- **Щепселите на електроинструментите трябва да съответстват на контактите.** Никога не променяйте щепсела по какъвто и да било начин. Не използвайте каквито и да са адаптерни щепсели за електроинструменти със защитно заземяване. Употребата на непроменени щепсели и съответстващите им контакти намалява риска за поражение от електрически ток
- **Избягвайте допир на тялото до земя или до заземени повърхности, такива като тръби, радиатори, кухненски печки и хладилници.** Ако тялото ви е заземено, съществува повишен риск от поражение от електрически ток.
- **Не излагайте електроинструментите на дъжд или във влажна среда.** Проникването на вода в електроинструмента повишава риска от поражение от електрически ток.
- **Използвайте шнура по предназначение.** Никога не използвайте шнура за носене на електроинструмента, опъване или изваждане на щепсела от контактното гнездо. Дръжте шнура далече от топлина, масло, остри ръбове или движещи се части. Увредени или оплетени шнурове повишават риска за поражение от електрически ток.
- **При работа с електроинструмента на открито, използвайте удължител, подходящ за работа на открито.** Използването на удължител, подходящ за работа на открито, намалява риска от поражение от електрически ток.
- **Ако работата с електроинструмента във влажна среда е неизбежна, използвайте предпазно устройство, задействано от остатъчен ток, за прекъсване на захранването.** Използването на предпазно устройство намалява риска от поражение от електрически ток.

1. ОБЩИ УКАЗАНИЯ ЗА БЕЗОПАСНОСТ

ЛИЧНА БЕЗОПАСНОСТ

- **Бъдете бдителни, работете с повишено внимание и проявявайте благоразумие, когато работите с електроинструмент. Не използвайте електроинструмента, когато сте уморени или под влияние на наркотици, алкохол или медикаменти.** Момент на невнимание при работа с електроинструмент може да предизвика сериозна трудова злополука.
- **Използвайте лични предпазни средства. Носете винаги средства за защита на очите.** Лични предпазни средства, като маска против прах, неплъзгащи се безопасни обувки, защитен шлем или средства за защита на слуха, използвани при конкретните условия, намаляват риска от трудови злополуки.
- **Избягвайте неволно пускане. Убедете се, че прекъсвачът е в изключено положение преди включване към източник на захранване и/или акумулаторна батерия, преди да го вземете или пренасяте.** Носенето на електроинструмент с пръст върху прекъсвача или свързването към източник на захранване на електроинструмент с прекъсвач във включено положение е предпоставка за трудова злополука.
- **Отстранете всеки ключ за затягане или гаечен ключ преди включване на електроинструмента.** Ключ за затягане или гаечен ключ, прикрепен към въртяща се част на електроинструмента, може да предизвика трудова злополука.
- **Не се пресягайте. Поддържайте правилен строеж и равновесие през цялото време.** Това позволява по-добро управление на електроинструмента при неочаквани ситуации.
- **Носете подходящо работно облекло. Не носете широки дрехи или бижута. Дръжте косите си, дрехите и ръкавиците далеч от движещи се части.** Широки дрехи, бижута или дълги коси могат да се захванат от движещи се части.
- **Ако електроинструментът е снабден с приспособления за засмукване и улавяне на прах, убедете се, че те са свързани и правилно използвани.** Използването на тези устройства може да намали свързаните с прах опасности.

ИЗПОЛЗВАНЕ И ГРИЖИ ЗА ЕЛЕКТРОИНСТРУМЕНТИТЕ

- **Не претоварвайте електроинструмента. Използвайте правилно избрания електроинструмент според приложението.** Правилно избраният електроинструмент работи по-добре и по-безопасно на работа, за който е проектиран.
- **Не използвайте електроинструмента, ако прекъсвачът не превключва във включено и изключено положение.** Всеки електроинструмент, който не може да бъде управляван с прекъсвач, е опасен и трябва да бъде ремонтиран.
- **Разединете щепсела от захранващата мрежа преди да извършите всякакви настройки, преди замяна на принадлежности или преди да приберете електроинструмента за съхранение.** Тези предпазни мерки за безопасност намаляват риска от неволно пускане на електроинструмента.
- **Съхранявайте неизползваните електроинструменти на места, недостъпни за деца и не позволявайте на обслужващи лица, които не познават електроинструмента или не са запознати с тези инструкции, да работят с него.** Електроинструментите са опасни в ръцете на необучени потребители.

2. ПРАВИЛА ЗА БЕЗОПАСНОСТ СПЕЦИФИЧНИ

- **Поддържайте електроинструментите.** Проверявайте движещите се части дали функционират нормално и се движат свободно, целостта и изправността на частите, както и за всякакво друго обстоятелство, което може неблагоприятно да повлияе на работата на електроинструмента. Ако е повреден, електроинструментът трябва да бъде ремонтиран преди по-нататъшно използване. Много злополуки са причинени от лошо поддържани електроинструменти.
- **Поддържайте режещите инструменти остри и чисти.** Правилно поддържаните режещи инструменти с остри режещи ръбове е по-малко вероятно да блокират и са по-лесни за управление.
- **Използвайте електроинструмента, принадлежностите и частите на инструмента и т.н. в съответствие с тези инструкции и по начин, предвиден за конкретния тип електроинструмент, като вземате предвид работните условия и работата, която трябва да се извършва.** Използването на електроинструмента за работа, различна от тази, за която е проектиран, може да предизвика опасна ситуация.

ОБСЛУЖВАНЕ

- **Поддържайте вашия електроинструмент при квалифициран специалист по ремонта, като използвате само оригиналните резервни части.** Това осигурява запазването на безопасността на електроинструмента.

ПРАВИЛА ЗА БЕЗОПАСНОСТ СПЕЦИФИЧНИ

Основни инструкции за сигурност при работа с рендета

- **Преди да поставите електроуред изчакайте докато спре носача на острието.** Острието без защита може да остане закачено за повърхността и да причини загуба на контрол или тежки последици.
- **Не доближавайте ръцете си до летящите частици.** Въртящите се части представляват опасност
- **Доближете електроуред до работното поле само когато работи.** В противен случай има риск от откат.
- **По време на работа винаги дръжте рендето така, че да бъде плътно прилепнала до работното поле.** В противен случай може да се заклеши и да причини наранявания.
- **Никога не минавайте с рендето през метални предмети, винтове или пирони.** Острието и водача могат да бъдат повредени и да създадат повишени вибрации.
- **Осигурете предмета за работа.** Предметът за работа трябва да бъде закрепен сигурно и в здраво положение, само като се използва съответния уред за закрепване или пък менгеме с винтове, а не да се държи просто с ръка.
- **Никога не използвайте уред с повреден кабел и изключете от контакта ако кабела се повреди по време на работа.** Повредените кабели увеличават риска от токов удар.

3. ОПИСАНИЕ НА ФУНКЦИОНИРАНЕТО

4. МОНТАЖ

ОПИСАНИЕ НА ФУНКЦИОНИРАНЕТО

Прочетете всички предупреждения за опасност и оперативните инструкции. В случай на неспазване на предупрежденията за опасност и оперативните инструкции може да се създаде опасност от токов удар, пожари и/или тежки злополуки.

Молим ви да отворите страницата, където се намира изобразена схематично машината и я оставете отворена докато се чете наръчника за инструкции за ползване.

Използване в съответствие с нормите

Електроуредът е подходящ за Рендосване на устойчиви повърхности от дърво, например греди и оси. Подходящ е за рязане на бордове и канали.

Илюстрирани съставни части

Номерирането на илюстрираните съставни части се отнася до илюстрацията на електроуредта, който се намира на страницата с графично представяне.

- 1** 1. Задна дръжка
2. Бутон за фиксиране на включването
3. Бутон на включвателя
4. Конектор за прахосмукачка
5. Дръжка за регулиране на дълбочината на рендосване
6. Показател на настроената дълбочина на рендосване
7. Капак на ремъчната предавка
8. Лост за регулиране на дълбочината на фрезозане

- 2** 1. Барабан
2. Крепежни планки
3. Подвижен капак
4. Болтове за затягане
5. Корпус
6. Винтове за регулиране

- 3** 1. Водач за паралелно рязане
2. Винт за присъединяване на водача за паралелно рязане
3. Крилчатата гайка

МОНТАЖ

- Преди за извършване на дейности по електроуредта изключете щепсела от електрическата мрежа

СВАЛЯНЕ НА НОЖОВЕТЕ (Рис.2)

- Отвъртете с гаечен ключ 3 затягащи болта (4).
- Извадете от барабана крепежните планки (2) с ножовете.

ПОСТАВЯНЕ НА НОЖОВЕТЕ (Рис.2)

- Почистете крепежните планки (2) и барабана на рендето (1) от стърготини и прах.
- **Винаги сменяйте и двата ножа. Ножовете трябва да бъдат еднакви.**

5. УПОТРЕБА

- Поставете ножа с крепежните планки в улея на барабана на рендето, и завийте болтовете за стягане (4) за следващо регулиране на ножа.
- Превключете регулатора на дълбочина на рендосване на положение «0». Обърнете и закрепете рендето с основата нагоре. Поставете линия към неподвижната и подвижната части на основата.
- Завъртете барабана по такъв начин, че острието на ножа, при максималното горно положение на ножа се докосва до линията. При необходимост регулирайте положението на ножа в улея на барабана по височина, с помощта на винта. Острието на ножа следва да докосва линията и да бъде успоредно на плоскостта на основата в напречно сечение.
- Фиксирайте ножа, затягайки болтовете за затягане (4).

АСПИРИРАНЕ НА ПРАХ/ЧАСТИЦИ

- Прах и материали като бои съдържащи олово, някои видове дървесина, минерали и метали могат да бъдат вредни за здравето. Контактът или вдишването на прах могат да причинят алергични реакции и/или заболявания на дихателните пътища на оператора или хората, които се намират в близост.

Определени прахове, като дървесен прах от бук или дъб се считат за канцерогенни, особено ако има добавки към дървесината (бои, лакове).

Материали съдържащи азбест трябва да бъдат обработвани изключително от специализиран персонал.

- Ако е възможно използвайте система за аспириране на прах

- Проветрявайте работното място

- Препоръчва се да носите предпазна маска с клас на филтриране P2

Спазвайте нормите на вашата страна за обработване на материали.

Никога не доближавайте ръцете си до изхода на частиците. Въртящите се части могат да създадат опасност.

За да гарантирате оптимална аспирация винаги използвайте приспособление за аспириране или сакче за събиране на прах и частици.

ВЪНЕШНА АСПИРАЦИЯ

Свържете аспириращата тръба с прахосмукачката.

Прахосмукачката трябва да бъде пригодена за конкретния материал.

Използвайте специална прахосмукачка за аспириране на вреден за здравето прах, канцерогенен или сух прах.

УПОТРЕБА

ОПЕРАТИВНИ УКАЗАНИЯ

РЕГУЛИРАНЕ НА ДЪЛБОЧИНАТА НА РЕНДОСВАНЕ

Въртете дръжката за регулиране на дълбочината на рендосване (5) за избор на необходимата дълбочина. Един оборот на диска (5) избира максималната дълбочина за рендосване 2 мм. Едно деление на диска отговаря на промяна на дълбочината с 0,25 мм.

ВКЛЮЧВАНЕ И ИЗКЛЮЧВАНЕ

Преди да включите рендето, задължително проверете правилното поставяне на

5. УПОТРЕБА

ножовете, и стабилното им фиксиране, както и затягането на винтовете към крепежните планки.

Включете ел. кабела в мрежовия контакт.

За включване на рендето, при предварително натиснат бутон за фиксиране на включването (2), плавно натиснете бутона за старт (3).

За изключването на рендето отпуснете бутона (3).

РЕНДОСВАНЕ

1. Поставете предната основа хоризонтално на повърхността, която ще обработвате, без ножовете да я допират.
2. Включете електроинструмента и изчакайте ножовете да достигнат пълна скорост.
3. Движете внимателно машината напред, като оказвайте натиск върху рендето.
4. Избутайте рендето зад края на обработвания детайл без да го накланяте надолу.
5. Скоростта на придвижване на рендето и дълбочината на рендосване определят качеството на крайния резултат. За по-груба обработка може да увеличите дълбочината на рязане. За по-фина обработка трябва да намалите дълбочината и да подавате рендето по-бавно.

ЗАБЕЛЕЖКА. Рендосването ще бъде по-лесно ако поставите обработвания детайл под лек наклон в посока надолу и навън.

ПРЕДУПРЕЖДЕНИЕ: Прекалено бързото подаване ще предизвика влошаване на качеството на обработваната повърхност и повреда на ножовете или на електродвигателя. Прекалено бавното подаване също може да влоши качеството на обработваната повърхност. Подходящата скорост зависи от вида на обработвания материал и от дълбочината на рязане. Първо изпробвайте рендето върху ненужно парче материал, за да можете да определите подходящите за целта скорост и дълбочина.

ПРЕДУПРЕЖДЕНИЕ: Прикрепете обработваемия материал към работната маса.

СНЕМАНЕ НА ФАСКИ И ФРЕЗОВАНЕ

1. За да нагласите дълбочината на фрезозане изберете желаната стойност посредством лоста за регулиране на дълбочината на фрезозане (8).
2. Разхлабете крилчатата гайка (Рис.3 - 3) на паралелния водач (Рис.3 - 1), поставете плъзгача на желаната ширина на фрезозане и затегнете отново крилчатата гайка.

ПАРАЛЕЛЕН ВОДАЧ (Рис.3)

ПРЕДУПРЕЖДЕНИЕ: Уверете се, че електроинструментът е изключен и щепселът е изваден от контакта преди да промените настройките или да сменяте ножовете на рендето.

1. За да поставите паралелния водач (1), отстранете фиксиращия винт (2) и плъзнете водача към рендето.
2. Поставете фиксиращия винт (2) на паралелния водач и го затегнете здраво.
3. Разхлабете крилчатата гайка (3) на плъзгача, позиционирайте плъзгача на желаната ширина за рендосване (а) и отново затегнете.

6. ПОДДРЪЖКА

4. Ако желаете да прецизирате ширината на рендосване, изпробвайте рендето върху непотребен материал, измерете рендосаната ивица и ако е необходимо променете настройките

ПОДМЯНА НА ЗАДВИЖВАЩИЯ РЕМЪК

ПРЕДУПРЕЖДЕНИЕ: Уверете се, че електроинструментът е изключен и щепселът е изваден от контакта преди да промените настройките или да сменяте ножовете на рендето.

1. За да подмените задвижващия ремък първо развийте два винта с кръстообразни прорези, които държат капака на движещия ремък (7) от лявата страна на рендето гледано отзад.
2. Извадете износения ремък като го издърпате от горната ролка докато въртите долната ролка на ръка. Използвайте мека четка, за да почистите ролките и заобикалящата ги площ.

ЗАБЕЛЕЖКА. Носете предпазни очила, когато почиствате ролките.

3. Четири прави (непрекъснати) ▲ профила от вътрешната страна на ремъка трябва да влязат в четири "V" канала на ролките. Поставете новия ремък на долната ролка. Нагласете другия край на ремъка около горната ролка и го завъртете докато се опъне и задвижи двете ролки.
4. Проверете с ръка дали ремъкът се върти свободно.
5. Поставете капака и затегнете два винта.
6. Поставете щепсела в контакта, включете машината за една минута, за да сте сигурни, че електродвигателят и ремъкът работят добре.

ПОДДРЪЖКА

ПРЕДУПРЕЖДЕНИЕ: Винаги изключвайте електроинструмента и изваждайте щепсела от контакта преди всякаква проверка или поддръжка. Проверявайте редовно дали винтовете на корпуса са здраво притегнати. При продължителна употреба винтовете може да се разхлабят от вибрациите.

Редовно смазвайте всички движещи се части.

ОБЩА ПРОВЕРКА

Когато четките се износят, двете четки трябва да се подменят едновременно с оригинални четки в сервиз на STATUS за гаранционна и извънгаранционна поддръжка. Ако захранващият кабел е повреден, замяната трябва да се извърши от производителя или негов сервизен специалист, за да се избегнат опасностите от замяната.

ПОЧИСТВАНЕ

За безопасна работа поддържайте винаги чисти машината и вентилационните отвори. Редовно проверявайте дали във вентилационната решетка близо до електродвигателя или около превключвателите не е проникнал прах или чужди тела. Използвайте мека четка за да отстраните събралия се прах. За да предпазите очите си, по време на почистването носете защитни очила. Ако корпусът на машината се нуждае от почистване, избършете го с мека влажна кърпа. Може да се използва слаб препарат за миене.

7. ТЕХНИЧЕСКИ ДАННИ

8. ДЕКЛАРАЦИЯ ЗА СЪОТВЕТСТВИЕ

ПРЕДУПРЕЖДЕНИЕ: Не се допуска употребата на спирт, бензин или други разтворители. Никога не използвайте разяждащи препарати за почистване на пластмасовите части.

ПРЕДУПРЕЖДЕНИЕ: Не се допуска влизането на вода в контакт с машината.

ВАЖНО! За да се осигури безопасната работа с електроинструмента и неговата надеждност, всички дейности по ремонта, поддръжката и регулирането (включително проверката и подмяната на четките) трябва да се извършват в оторизирани сервиси на STATUS с използване само на оригинални резервни части.

ТЕХНИЧЕСКИ ДАННИ

Ренде	PL82-2	Максимална ширина на рендосване (мм)	82
Код на продукта	0 50 711 01	Тегло съгласно ЕРТА	
Входна мощност (W)	610	Процедури 01/2003 (кг)	2,9
Напрежение (V/Hz)	230-240/50	Клас сигурност	II
Брой обороти при празен ход (Мин)	17000		
Дълбочина на преминаване (мм)	2 (±10%)		

Информации за шума и вибрациите

Измерено следвайки процедура за измерване съответна на норма EN 60745.

Ниво на шум $L_{pA} = 87,5 \text{ dB(A)}$. Колебание $K_{WA} = 3 \text{ dB}$.

Ниво на акустична мощност $L_{WA} = 98 \text{ dB(A)}$. Колебание $K_{WA} = 3 \text{ dB}$.

Използвайте акустично предпазно средство!

Измерени в съответствие с норма 60745:

Стойност на колебанията $a_h = 7,68 \text{ m/s}^2$. Неяснота в мярка $K = 1,5 \text{ m/s}^2$

ДЕКЛАРАЦИЯ ЗА СЪОТВЕТСТВИЕ

STATUS ITALIA S.R.L. декларира, че този продукт с търговска марка STATUS:

Ренде PL82-2 е произведен в съответствие със следните директиви на ЕС:

Директива за машини: 2006/42/ЕС

А също така отговаря на следните стандарти: EN60745-1:2009+A11:2010,

EN 60745-2-14:2009+A2:2010, ЕК9-ВЕ-88:2014, AfPS GS 2014:01PAK.

Техническата документация се съхранява при производителя:

STATUS ITALIA S.R.L., Виа Алдо Моро, 14 / А, 36 060 - Pianezze (VI), ИТАЛИЯ

Карон Джиасинто
Директор
STATUS ITALIA S.R.L.

Дистрибутор на територията на България: Спринтер ЕООД.

Адрес по регистрация: България, гр. София 1000, бул. Христо Ботев 28, ет. 7.

Адрес за кореспонденция: България, гр. София 1303,

бул. Тодор Александров №28, магазин №4. Уебсайт: www.status-tools.com

E-mail: office@status-tools.eu . Тел. 02 870 51 98

1. ОСНОВНЫЕ ТРЕБОВАНИЯ БЕЗОПАСНОСТИ

ОСНОВНЫЕ ТРЕБОВАНИЯ БЕЗОПАСНОСТИ



ВНИМАНИЕ !

Внимательно ознакомьтесь с требованиями инструкции по безопасности. Не соблюдение требований данной инструкции может привести к поражению электрическим током, пожару или травмам.

ХРАНИТЕ ДАННУЮ ИНСТРУКЦИЮ В ДОСТУПНОМ МЕСТЕ

Рабочее место

- Содержите рабочее место чистым и свободным от посторонних предметов.
- Рабочее место должно быть хорошо освещено.
- Не используйте изделие для работы во взрывоопасной атмосфере и вблизи от легковоспламеняющихся жидкостей. Электродвигатель изделия при работе искрит, и это может стать причиной пожара.
- Во время работы не допускайте посторонних и детей к рабочему месту.

Электробезопасность

- Сетевая розетка должна соответствовать штепсельной вилке, установленной на сетевом кабеле изделия. Запрещается внесение изменений в конструкцию вилки и использование любых переходников.
- Во время работы избегайте контакта с заземленными предметами: водопроводными трубами, радиаторами отопления и т.д. При контакте с заземленными предметами значительно возрастает риск поражения электротоком.
- Предохраняйте изделие от воздействия воды и повышенной влажности. Попадание воды внутрь изделия может привести к поражению электротоком.
- Берегите сетевой кабель изделия. Не используйте кабель для переноски изделия, не тяните за кабель чтобы выключить изделие. Располагайте кабель во время работы вдали от источников тепла, подвижных частей изделия и предметов с острыми краями. Поврежденный кабель может стать причиной поражения электрическим током.
- При работе изделием вне помещения применяйте удлинитель, специально предназначенный для эксплуатации на открытом воздухе. Использование специального удлинителя значительно снижает риск поражения электрическим током.
- Параметры сети для подключения изделия должны соответствовать параметрам указанным на маркировочной табличке изделия (230 V~, 50 Hz).
- При работе изделием вне помещения применяйте удлинитель, специально предназначенный для эксплуатации на открытом воздухе. Использование специального удлинителя значительно снижает риск поражения электрическим током.

Личная безопасность

- Не работайте изделием в состоянии алкогольного или наркотического опьянения, под воздействием лекарств и в болезненном состоянии. Кратковременная потеря контроля над изделием во время работы может стать причиной серьезной травмы.

2. ОСНОВНЫЕ ТРЕБОВАНИЯ БЕЗОПАСНОСТИ

- Всегда применяйте средства индивидуальной защиты и защитные очки. К средствам индивидуальной защиты относятся: респиратор, нескользящая обувь и шумозащитные наушники. Применение средств защиты сделает работу более комфортной и безопасной.
 - Внимательно следите за тем, чтобы при включении изделия в сеть, клавиша выключателя не была зафиксирована во включенном положении. Это поможет избежать случайного включения изделия.
 - Следите за тем, чтобы перед включением изделия из него были удалены регулировочные инструменты, отвертки и т.п. Попадание инструмента в подвижные части изделия при включении может стать причиной травмы и привести к выходу изделия из строя.
 - При работе занимайте устойчивое положение. Всегда стойте на устойчивой опоре. Потеря равновесия во время работы может стать причиной травмы.
 - Не одевайте для работы излишне свободную одежду. Перед началом работы снимите ювелирные украшения. Если у Вас длинные волосы, спрячьте их под головной убор. Попадание краев одежды, ювелирных изделий и волос в движущиеся части изделия может привести к травме.
 - Если в изделии предусмотрено подключение пылесоса обязательно подключите его перед работой. Эффективное удаление пыли из рабочей зоны делает работу более удобной и сохранит Ваше здоровье.
- Безопасное использование и хранение изделия**
- Не перегружайте изделие. Для каждого вида работ используйте только тот тип инструмента или оснастки, который для этого предназначен.
 - Не используйте изделие с неисправным выключателем. Если выключатель работает нечетко, и включение/выключение изделия затруднено, выключатель подлежит немедленной замене.
 - Всегда отключайте изделия от сети перед тем как отрегулировать изделие или поменять оснастку. Это поможет избежать случайного включения изделия во время работ по его обслуживанию.
 - Храните изделие в месте, недоступном детям и лицам не имеющим навыков работы с изделием. Лицо, ранее не работавшее таким типом инструмента обязано перед началом работы внимательно прочитать эту инструкцию полностью.
 - Перед началом работы внимательно проверяйте состояние изделия: легкость перемещения подвижных частей, отсутствие повреждений корпусных деталей и оснастки. Любая поврежденная часть изделия или оснастки должна быть заменена перед началом работы.
 - Содержите режущую оснастку в чистом виде, хорошо заточенной и смазанной.
 - Используйте инструмент и оснастку только для производства тех видов работ, которые предусмотрены в инструкции по эксплуатации данного изделия. Использование изделия не по прямому назначению может привести к его поломке и травмам.

2. ДОПОЛНИТЕЛЬНЫЕ ТРЕБОВАНИЯ БЕЗОПАСНОСТИ

Сервисное обслуживание

- Ремонт изделия должен осуществляться в авторизованном сервисном центре, квалифицированным персоналом и с использованием только оригинальных запасных частей. Использование при ремонте запасных частей не сертифицированных производителем данного изделия может привести к выходу изделия из строя и нарушению норм электробезопасности изделия.
- Дополнительные инструкции безопасности для Вашей электродрели.**
- Не используйте электроинструмент с поврежденным сетевым кабелем. Если в процессе работы кабель был поврежден, не касаясь поврежденного участка, отключите изделие от сети. Поврежденный кабель увеличивает риск поражения электрическим током.
 - При повреждении кабеля, ремонт должен осуществляться только в авторизованном сервисном центре.
 - Запрещается работать с материалами содержащими асбест. Мельчайшие частицы пыли при работе оказываются в воздухе и могут подвергнуть опасности Ваше здоровье.

ДОПОЛНИТЕЛЬНЫЕ ТРЕБОВАНИЯ БЕЗОПАСНОСТИ

- Перед тем как оставить электроинструмент, всегда дождитесь полного останова барабана. Крутящаяся режущая часть рубанка может зацепиться за поверхность, что может привести к потере контроля и серьезному несчастному случаю.
- В случае потенциальной возможности касания режущей принадлежности до скрытой электропроводки или до собственного питающего шнура, держите электроинструмент только за изолированные поверхности рукояток. Контакт принадлежности с токоведущим проводом ставит под напряжение также открытые металлические части электроинструмента и может привести к поражению оператора электрическим током.
- Используйте зажимы /скобы/ или другие подходящие средства для закрепления обрабатываемого материала к стабильной основе. Придерживание обрабатываемого материала руками или к телу неустойчиво и может привести к потере контроля.
- Всегда носите защитные очки, наушники и используйте пылезащитную маску.
- Во избежание возможного перегрева всегда разматывайте до конца кабель удлинителя с кабельного барабана.
- В случае необходимости использования удлинителя, убедитесь, что его сечение соответствует номинальному току используемого электроинструмента.
- После продолжительной работы внешние металлические части и принадлежности могут нагреться.
- Всегда выключайте электроинструмент перед тем, как отложить его в сторону.
- Не подвергайте электроинструмент перегрузке, работайте на разумной скорости. Перегрузка возникает при чрезмерной нагрузке, при этом электродвигатель начинает вращаться медленнее, что обуславливает снижение эффективности и вероятность повреждения электродвигателя.

2. ДОПОЛНИТЕЛЬНЫЕ ТРЕБОВАНИЯ БЕЗОПАСНОСТИ

- Если возможно, всегда используйте систему пылеотвода.
 - В рабочей зоне не допускается наличие тряпок, полотенец, волокон, бечевки, шнуров и др.
 - Перед началом работы удалите с обрабатываемой детали все гвозди, винты и другие инородные тела. При врезании в гвоздь или другое металлическое тело Вы можете повредить лезвия и электроинструмент, что является предпосылкой несчастного случая.
 - Будьте исключительно осторожны, когда трогаете лезвия.
 - Перед началом работы убедитесь в том, что винты для закрепления лезвий хорошо затянуты.
 - Держите крепко электроинструмент двумя руками.
 - Берегите руки от движущихся частей.
 - Перед началом работы электроинструментом дайте ему поработать на холостом ходу определенное время. Следите за наличием вибраций, которые являются признаком плохого монтажа или неправильного балансирования лезвий.
 - Когда включаете электроинструмент убедитесь в том, что ни одно из лезвий не находится в контакте с обрабатываемой поверхностью.
 - Подождите пока лезвия наберут полную скорость перед тем, как начать строгание.
 - При работе держите электроинструмент на расстоянии минимум 200 мм. от своего лица и тела.
 - Всегда выключайте электроинструмент и ждите полной остановки лезвий перед тем, как осуществлять какие-либо настройки.
 - Никогда не ставьте палец в желоб для стружки. Они могут застрять в желобе при резке мокрой древесины. Почистите стружку с помощью палки, но только когда машина выключена и штепсель удален из розетки.
 - Не оставляйте электроинструмент работать без надзора. Работайте с ним только когда контролируете его обеими руками.
 - Отставляя рубанок, выключите его и прислоните к деревянному брусу вверх передней подошвой, так, чтобы лезвия ни с чем не соприкасались.
 - Всегда заменяйте оба лезвия одновременно, в противном случае возникший дисбаланс приведет к нестабильности и сократит жизнь лезвий и самого электроинструмента.
- ПРЕДУПРЕЖДЕНИЕ:** Перед тем, как включить электроинструмент в сеть питания убедитесь в том, что напряжение питания соответствует указанному на табличке электроинструмента. Напряжение питания выше номинального может привести к травмам потребителя, а также повреждению инструмента.
- Если Вы не уверены в величине напряжения, не включайте электроинструмент.
 - Если напряжение ниже номинального, электродвигатель будет поврежден.
 - Электроинструмент должен использоваться только по назначению. Любое другое использование, отличающееся от описанного в настоящей инструкции, будет считаться неправильным использованием. Ответственность за любое повреждение или ущерб, происходящие от неправильного использования, будет нести потребитель, а не производитель.

3. ОПИСАНИЕ / СБОРКА И РЕГУЛИРОВКА

ОСОБЫЕ ТРЕБОВАНИЯ

- Перед началом работы проверьте крепление ножей рубанка.
- Остерегайтесь вращающегося барабана рубанка.
- Меняйте только оба ножа, замена одного ножа может привести к дисбалансу барабана, и вибрациям, которые могут привести к поломке изделия.
- Не очищайте рабочие части рубанка пальцами, используйте для этого деревянную палочку или щепку.
- **Перед заменой ножей или регулировкой рубанка обязательно отключите его от сети.**

ОПИСАНИЕ

- | | | | |
|----------|--|----------|---|
| 1 | 1. Рукоятка задняя
2. Кнопка фиксатора выключателя
3. Клавиша выключателя
4. Патрубок пылеотсоса
5. Ручка регулятора глубины строгания
6. Указатель глубины строгания
7. Крышка ременной передачи
8. Винт ограничителя глубины выборки четверти | 2 | 1. Барабан
2. Планки крепежные
3. Крышка подвижная
4. Болты установочные
5. Корпус
6. Винты регулировочные |
| | | 3 | 1. Параллельный упор
2. Винт крепления параллельного упора
3. Гайка - барашек |

СБОРКА И РЕГУЛИРОВКА

Перед сборкой и регулировкой обязательно отключите изделие от сети. ДЕМОНТАЖ НОЖЕЙ (Рис.2)

- Отверните гаечным ключом 3 установочных болта (4).
- Извлеките из барабана крепежные планки (2) с ножами.

УСТАНОВКА НОЖЕЙ

- Очистите крепежные планки (2) и барабан рубанка (1) от стружки и пыли.
- Всегда меняйте оба ножа. Ножи должны быть одинаковыми.**
- Установите нож с крепежными планками в паз барабана рубанка и наживите установочные болты (4) для дальнейшей регулировки ножа.
 - Установите регулятор глубины строгания в положение «0».
- Переверните и закрепите рубанок вверх подошвой. Приложите линейку к неподвижной и подвижной частям подошвы.
- Поверните барабан так, чтобы лезвие ножа при максимально верхнем положении ножа касалось линейки. При необходимости отрегулируйте положение ножа в пазу барабана по высоте винтом.
 - Лезвие ножа должно касаться линейки и быть параллельным плоскости подошвы в поперечном сечении.
 - Зафиксируйте нож затянув установочные болты (4).

РЕГУЛИРОВКА ГЛУБИНЫ СТРОГАНИЯ

- Поворачивайте ручку регулятора глубины строгания (5) для выбора нужного значения глубины.

4. РАБОТА

- Один оборот диска указателя (5) дает максимальную глубину строгания 2 мм. Одно деление диска соответствует изменению глубины на 0,25 мм.

СНЯТИЕ ФАСКИ И ФРЕЗЕРОВАНИЕ

1. Для установления глубины фрезерования установите желаемую глубину на упоре с правой стороны рубанка и зафиксируйте ее винтом (8).
2. Ослабьте крыльчатую гайку (Рис.3 - 3) параллельной направляющей линейки (Рис.3 - 1), установите направляющую на желаемую ширину фрезерования (а) и снова затяните крыльчатую гайку (3).

ПАРАЛЛЕЛЬНАЯ НАПРАВЛЯЮЩАЯ (Рис.3)

ПРЕДУПРЕЖДЕНИЕ: Перед сменой настроек или заменой лезвий убедитесь, что электроинструмент выключен и штепсель вынут из розетки.

1. Для установки параллельной направляющей (1) отверните фиксирующий винт (2) и вставьте кронштейн направляющей между выступами на левой стороне рубанка.
2. Фиксирующим винтом (2) закрепите параллельную направляющую на рубанке.
3. Ослабьте гайку-барашек (3) и установите желаемую ширину строгания (а) и снова затяните гайку (3).
4. Если желаете точно отрегулировать ширину строгания, сделайте это на ненужном куске материала, измерьте глубину и ширину выборки, и если это необходимо, уточните настройки ширины и глубины.

ЗАМЕНА ПРИВОДНОГО РЕМНЯ

ПРЕДУПРЕЖДЕНИЕ: Перед сменой настроек или заменой лезвий убедитесь, что электроинструмент выключен и штепсель вынут из розетки.

1. Для замены ремня сначала выверните винты с крестовой головкой, которые удерживают крышку (7) с левой стороны рубанка (вид сзади).
 2. Удалите поврежденный ремень, снимая его с верхнего шкива и вращая при этом нижний шкив. Используя мягкую щетку для очистите шкивы и промщит.
- ЗАМЕЧАНИЕ:** При чистке шкивов оденьте защитные очки.
3. Четыре продольных выступа с внутренней стороны ремня должны войти в четыре "V" – образные прорезы шкива. Наденьте новый ремень на нижний шкив. Другой конец ремня набросьте на верхний шкив и крутите его, пока ремень не натянется и оба шкива не начнут вращаться.
 4. Вращая шкив рукой убедитесь, что ремень не соскакивает со шкивов.
 5. Наденьте крышку и затяните два крепежных винта.
 6. Включите рубанок на одну-две минуты, чтобы убедиться, что двигатель и ремень работают исправно.

РАБОТА



ВНИМАНИЕ !

Перед включением изделия проверьте правильность установки ножей и затяжку установочных винтов держателей ножей.

5. УХОД И ОБСЛУЖИВАНИЕ

ВКЛЮЧЕНИЕ И ВЫКЛЮЧЕНИЕ

Перед включением рубанка обязательно проверьте правильность установки ножей, и затяжку установочных винтов держателя ножей.

1. Вставьте вилку сетевого кабеля в розетку.
2. Для включения рубанка, нажав предварительно кнопку фиксатора выключателя (2), плавно нажмите клавишу пуска (3).
3. Для выключения рубанка отпустите клавишу (3).

СТРОГАНИЕ

1. Установите переднюю опору горизонтально к поверхности так, чтобы лезвия не касались поверхности заготовки.
2. Включите рубанок и подождите, пока лезвия достигнут максимальной скорости.
3. Ведите рубанок вперед внимательно, оказывая на него легкий нажим.
4. Дойдя до конца обрабатываемой детали, поднимите рубанок, не наклоняя его вниз.
5. Скорость и глубина строгания определяют качество конечного продукта.

Для более грубой обработки можно увеличить глубину строгания. Более ровную поверхность можно получить, снизив глубину и скорость строгания.

ПРЕДУПРЕЖДЕНИЕ: При увеличении скорости качество обработки поверхности ухудшается и возрастает опасность поломки лезвий или электродвигателя.

Очень медленное строгание может привести к обгоранию или повреждению обрабатываемой поверхности.

Оптимальная скорость зависит от вида обрабатываемого материала и глубины строгания. Для определения оптимальной скорости и глубины строгания проведите пробное строгание на ненужном куске обрабатываемого материала.

ПРЕДУПРЕЖДЕНИЕ: Надежно крепите заготовку на рабочем столе.

УХОД И ОБСЛУЖИВАНИЕ



ВНИМАНИЕ ! Работы по замене поврежденных деталей влияющих не электробезопасность изделия (например, шнура питания) должны производиться только в авторизованном сервисном центре.

ЗАМЕНА ЩЕТОК

Необходимо периодически производить контроль износа угольных щеток. Если их износ достиг критической величины щетки подлежат немедленной замене. Щетки меняются парами. Замена допускается только на оригинальные щетки STATUS предназначенные для данной модели рубанка.

ЧИСТКА ИЗДЕЛИЯ

ВНИМАНИЕ! Перед чисткой изделия обязательно отключите его от сети.

Наиболее эффективной является продувка изделия сжатым воздухом.

ВНИМАНИЕ! Продувайте изделие только в защитных очках.

Особое внимание надо уделить очистке вентиляционных отверстий корпуса двигателя и чистоте зазора между половинками задней рукоятки и клавишей выключателя. Все загрязнения из этих мест должны быть обязательно удалены.

6. ТЕХНИЧЕСКИЕ ХАРАКТЕРИСТИКИ

ВНИМАНИЕ! Не применяйте для чистки корпуса изделия бензин и растворители. Они могут повредить пластмассовые части изделия и вывести его из строя. Особо сильные загрязнения удаляйте ветошью, смоченной небольшим количеством воды или нейтрально моющего средства.

ВНИМАНИЕ! Попадание любых жидкостей внутрь корпуса запрещено!
СЕРВИСНОЕ ОБСЛУЖИВАНИЕ

Обслуживание изделия неквалифицированными лицами может привести к нарушению норм электробезопасности изделия.

Все работы по ремонту и замене узлов должны проводиться в авторизованном сервисном центре.

ВНИМАНИЕ ! Во всех нижеперечисленных случаях немедленно прекратите работу, и обратитесь в сервисный центр:

- Скорость вращения барабана рубанка резко падает
- При работе слышны удары и повышенный шум
- Корпус двигателя перегревается
- Сильное искрение двигателя

ХАРАКТЕРИСТИКИ

Модель	PL82-2
Напряжение	230-240V~ 50Hz
Потребляемая мощность	610 Вт
Скорость вращения без нагрузки	17000/мин
Ширина строгания:	82 мм
Глубина строгания:	до 2 мм ($\pm 10\%$)
Глубина выборки четверти	до 11 мм
Масса	2,9 кг

ИНФОРМАЦИЯ О ШУМЕ И ВИБРАЦИЯХ

Уровень шума (EN 60745)

Уровень звукового давления $L_{pA} = 87,5$ дБ(А) Неопределенность $K_{pA} = 3.0$ дБ

Уровень звуковой мощности $L_{WA} = 98$ дБ(А) Неопределенность $K_{WA} = 3.0$ дБ

Уровень вибраций (в соответствии с т. 6.2.7 EN 60745-1):

Величина вибрации $a_h = 7,68$ м/с² Неопределенность $K = 1.5$ м/с²

КОМПЛЕКТАЦИЯ

Рубанок PL82-2, параллельный упор, гаечный ключ, ограничитель глубины выборки четверти, инструкция, упаковка.

Производитель оставляет за собой право изменять технические характеристики и комплектацию изделия без предварительного уведомления.

7. ДЕКЛАРАЦИЯ СООТВЕТСТВИЯ


ДЕКЛАРАЦИЯ СООТВЕТСТВИЯ

STATUS ITALIA S.R.L. заявляет, что изделие торговой марки STATUS: Рубанок PL82-2 изготовлен в соответствии со следующими директивами: Machine Directives: 2006/42/EC

А так же соответствуют нижеперечисленным стандартам:

EN60745-1:2009+A11:2010, EN 60745-2-14:2009+A2:2010, EK9-BE-88:2014, AfPS GS 2014:01PAK.

Техническая документация хранится у производителя: STATUS ITALIA S.R.L., via Aldo Moro, 14/A, 36060 - Pianezze (VI), ITALY

 Карон Джиасинто
Директор
STATUS ITALIA S.R.L.

Изделия соответствуют требованиям следующих технических регламентов Таможенного Союза: TP TC 004/2011, TP TC 010/2011, TP TC 020/2011.

Информация о сертификате находится на сайте www.status-tools.com.

Изготовитель: СТАТУС ИТАЛИЯ С.р.л. Виа Альдо Моро, 14/А, 36060 Пьянецце, Италия, Сделано в КНР.

Представитель в России:

ООО «ИНСТАТУС», 105005, г. Москва, ул.Бауманская, д.7.

