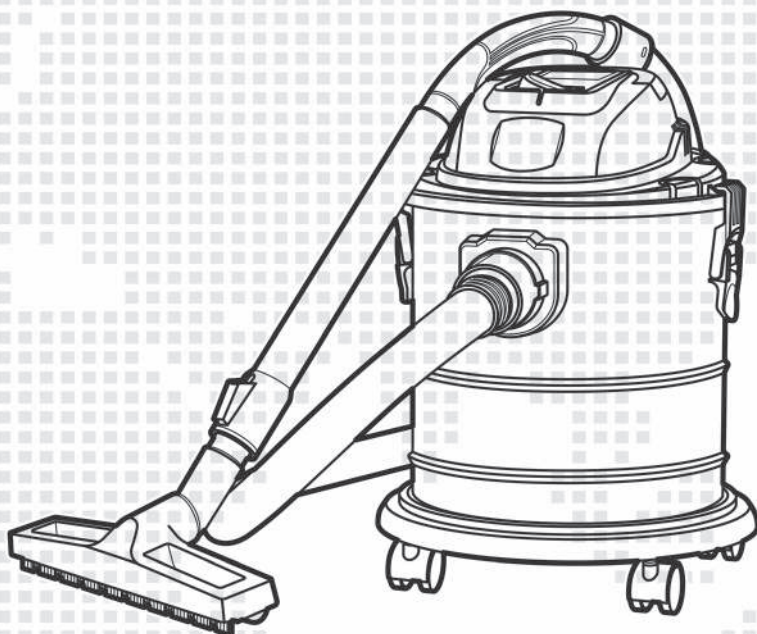


CROWN
TOOLS FOR A BETTER LIFE

■ CT42045

■ CT42046



- en** Original instructions
- es** Manual original
- ru** Оригинальное руководство по эксплуатации
- ua** Оригінальна інструкція з експлуатації
- kz** Пайдалану нұсқаулығының түпнұсқасы
- ar** دليل المستخدم الأصلي
- fa** دفترچه راهنمای اصلی

Content / Contenido / Содержание / Зміст / Мазмұны / المحتويات / محتوا

English

Explanatory drawings	pages 3 - 10
General safety rules, instructions manual	pages 11 - 16

Español

Dibujos explicativos	páginas 3 - 10
Recomendaciones generales de seguridad, manual de instrucciones	páginas 17 - 22

Русский

Пояснительные рисунки	страницы 3 - 10
Общие указания по ТБ, инструкция по эксплуатации	страницы 23 - 28

Українська

Пояснювальні малюнки	сторінки 3 - 10
Загальні вказівки по ТБ, інструкція з експлуатації	сторінки 29 - 34

Қазақ тілі

Түсіндіргіш әлеміштер	беттер 3 - 10
Жалпы қауіпсіздік жөніндегі ұсыныстар, пайдалану нұсқаулығы	беттер 35 - 40

العربية

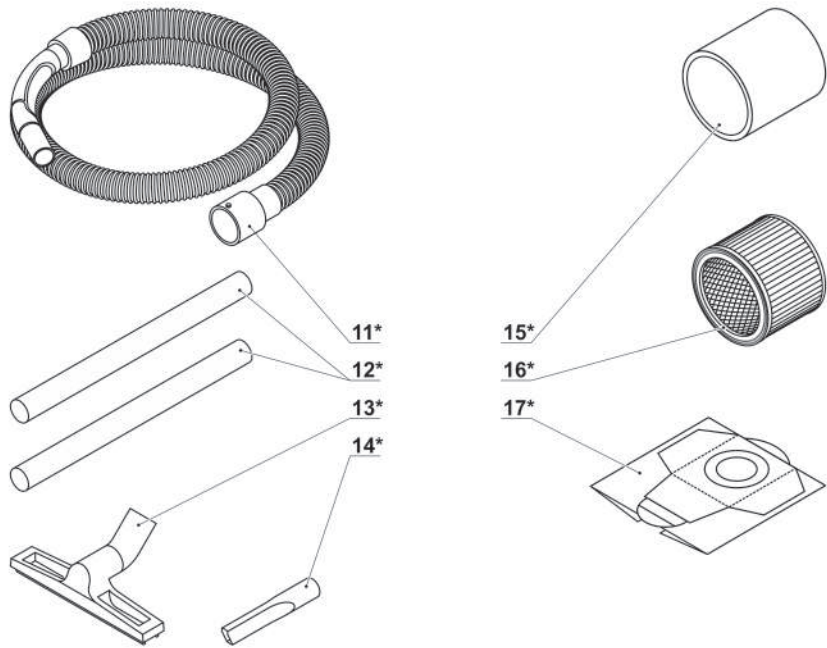
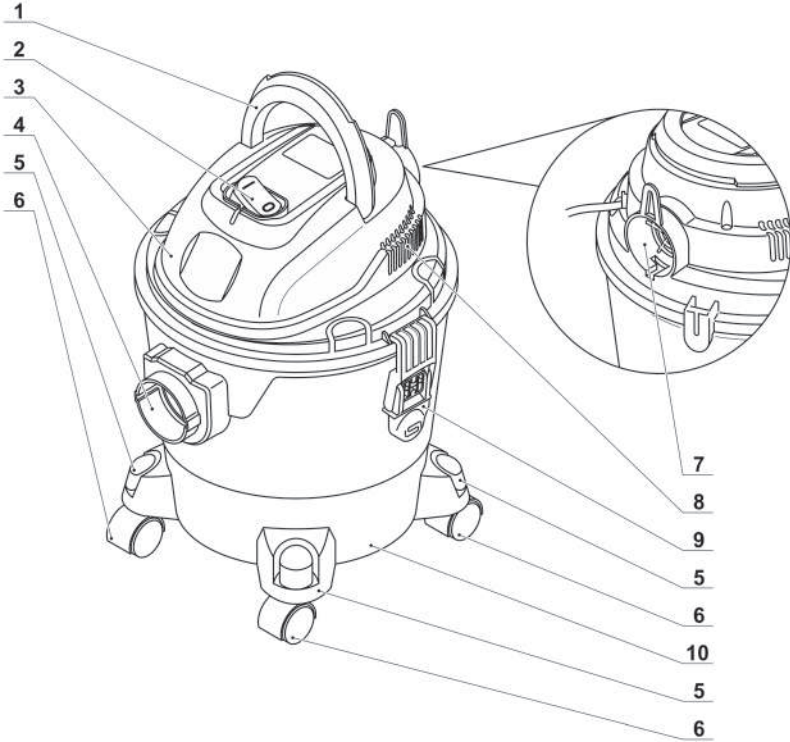
رسوم توضيحية	الصفحات 3 - 10
قواعد السلامة العامة، دليل التعليمات	الصفحات 41 - 46

فارسی

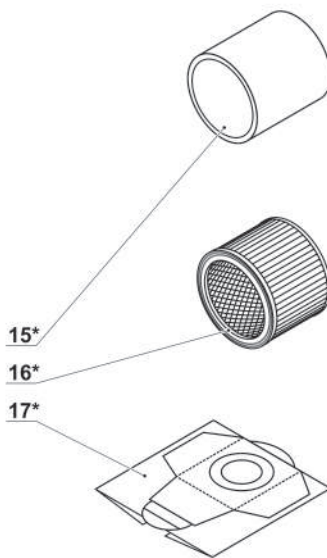
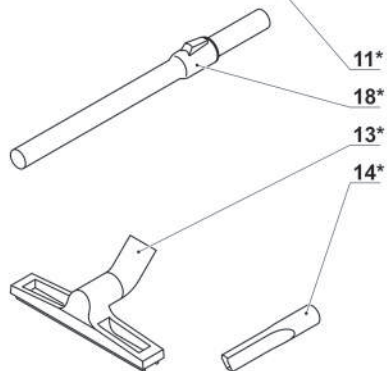
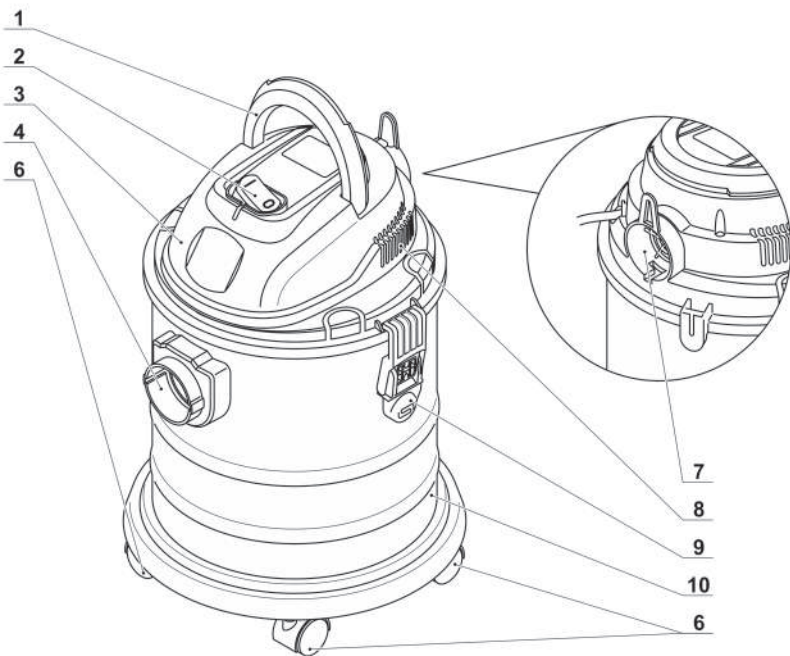
اشکال توضیحی	صفحه های 3 - 10
قوانین ایمنی کلی، دفترچه دستورالعمل ها	صفحه های 46 - 51



CT42045

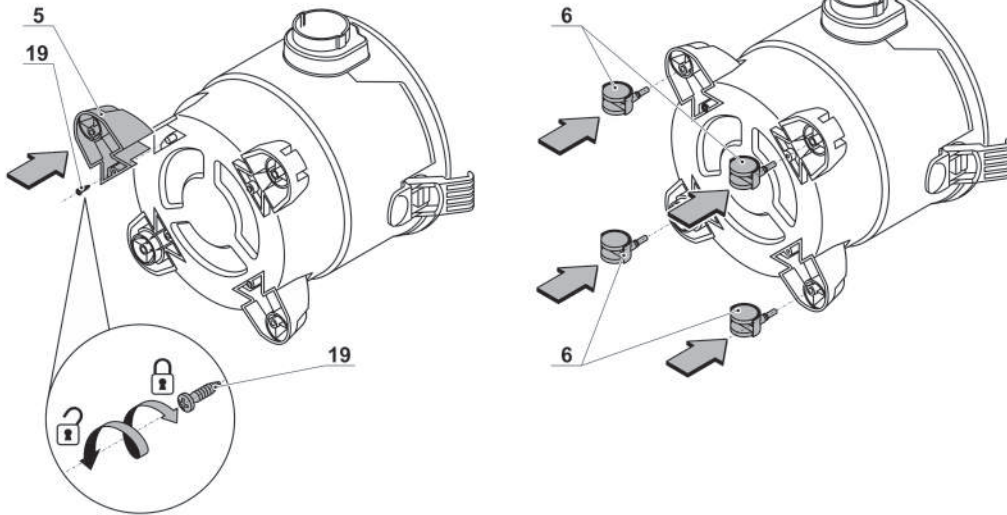


CT42046



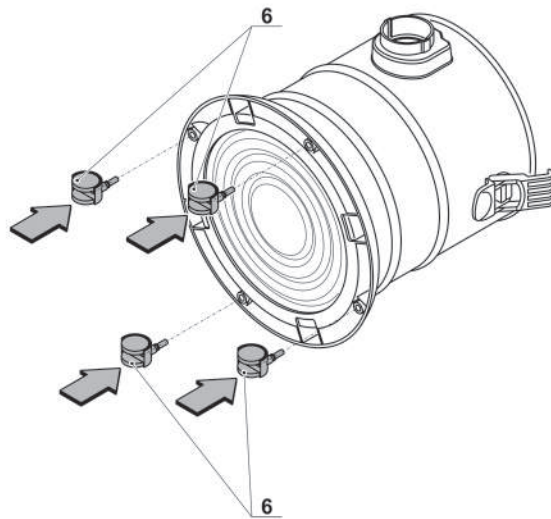
CT42045

1

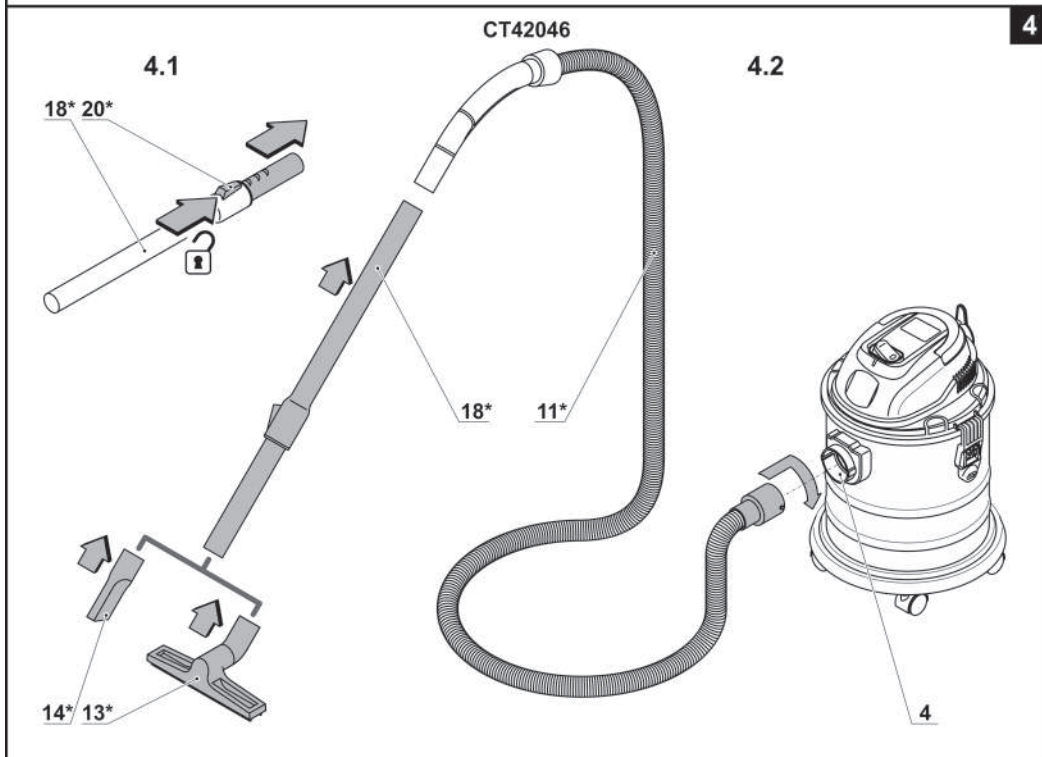
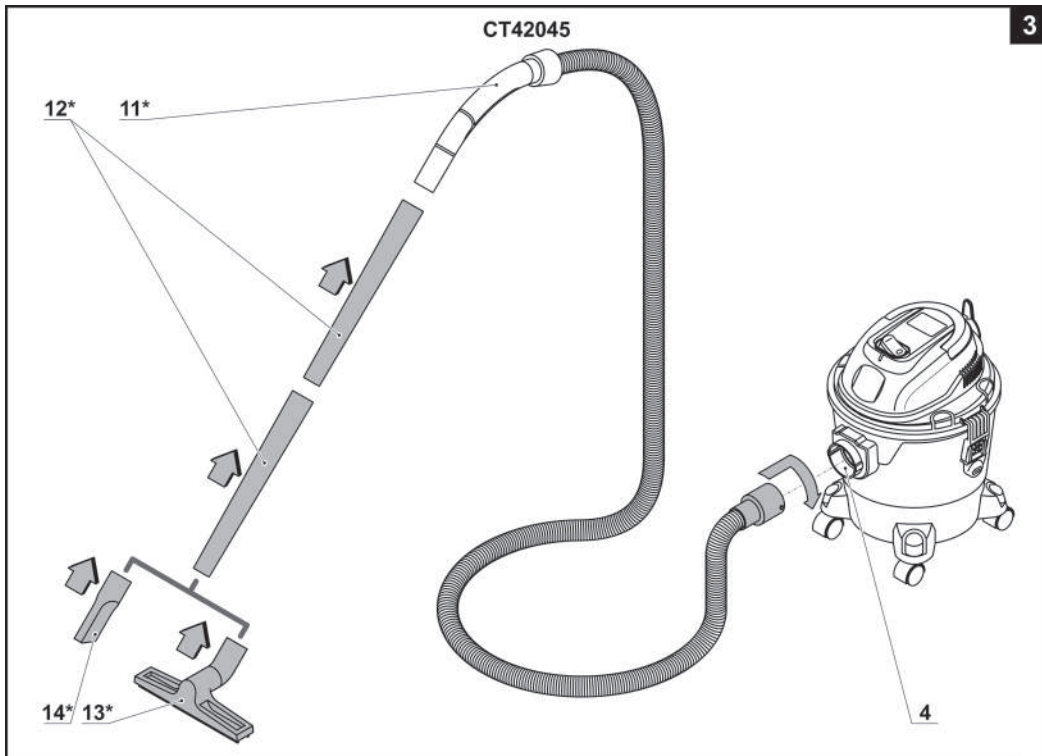


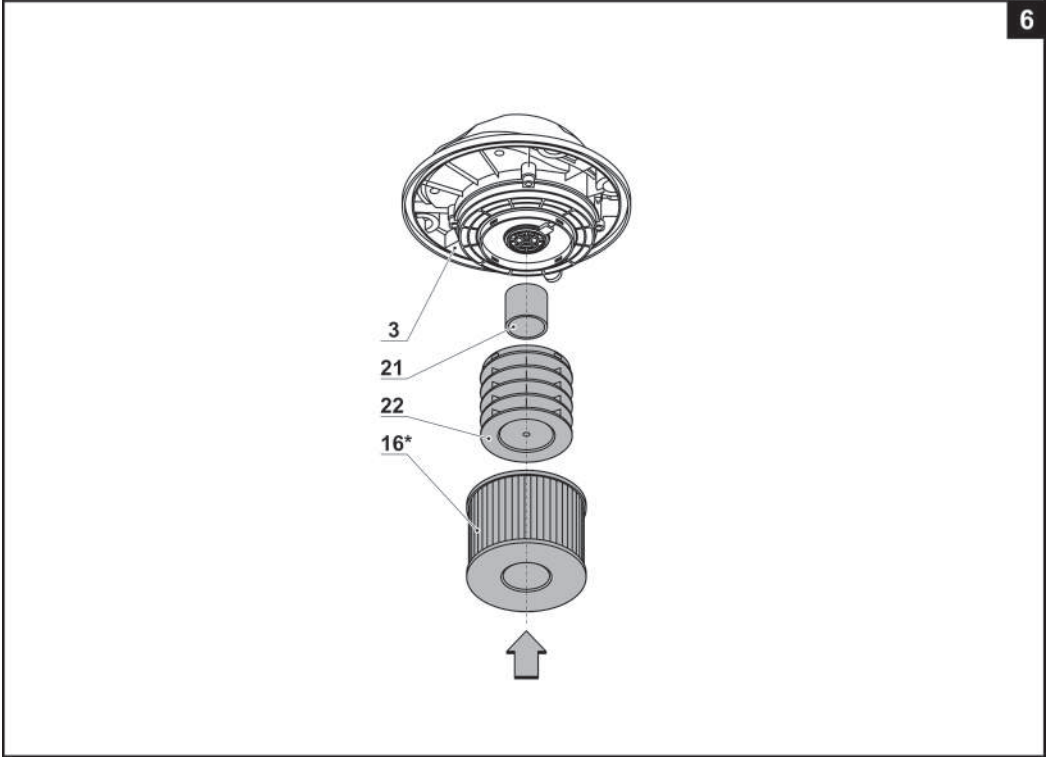
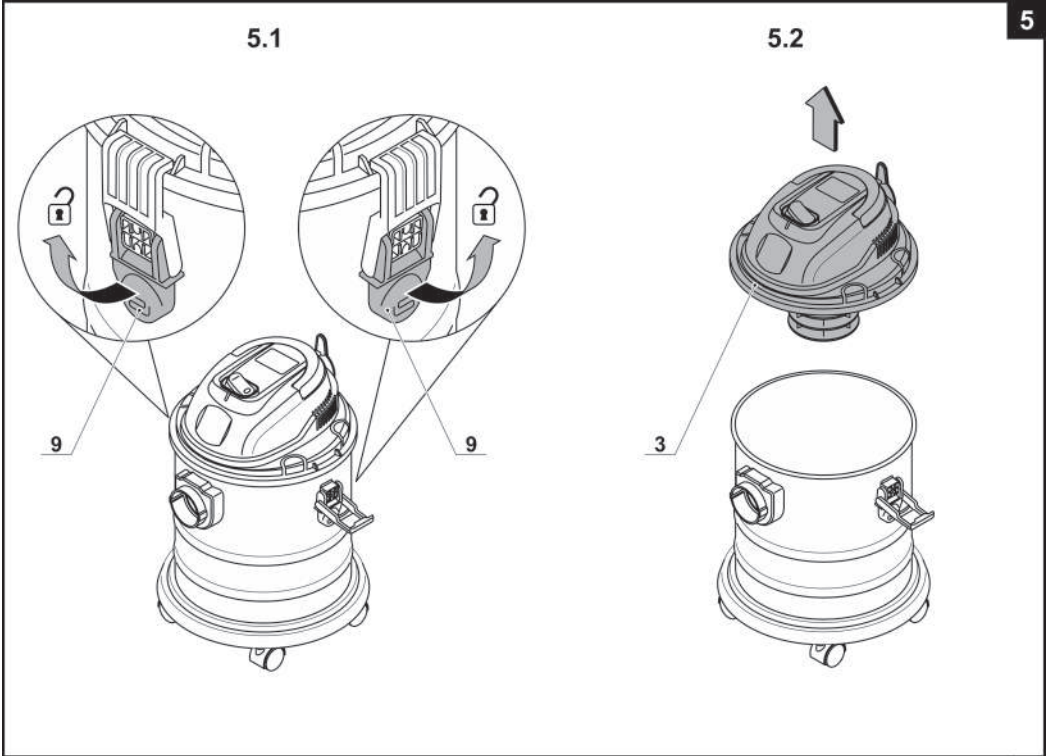
CT42046

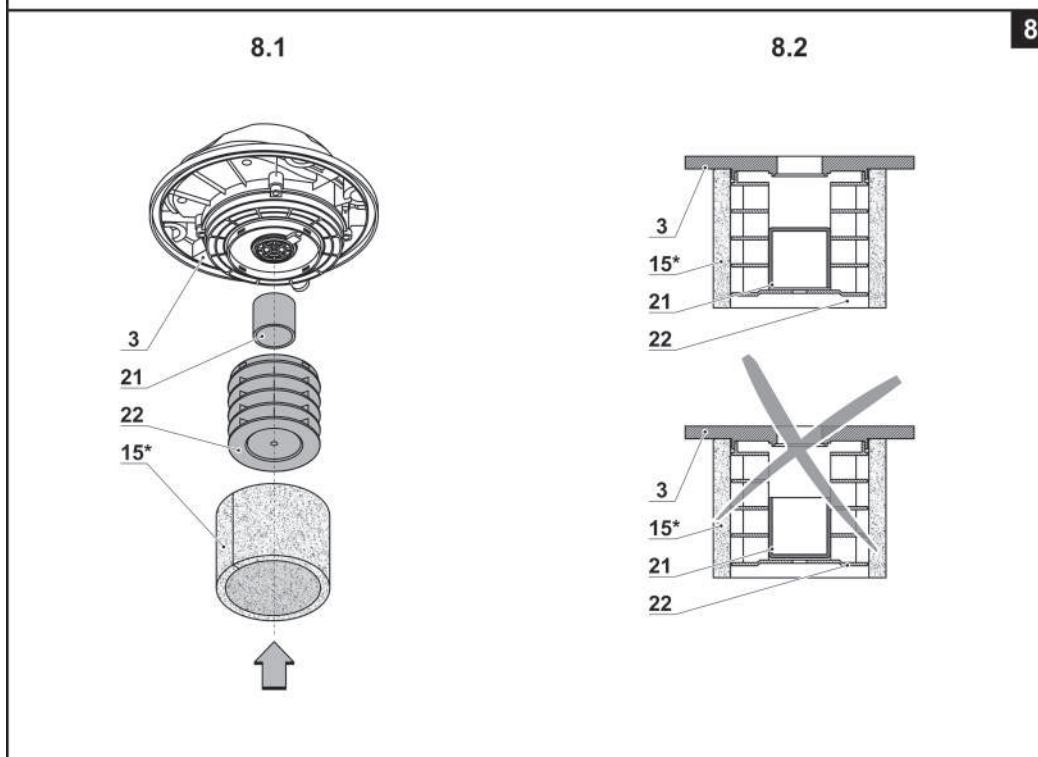
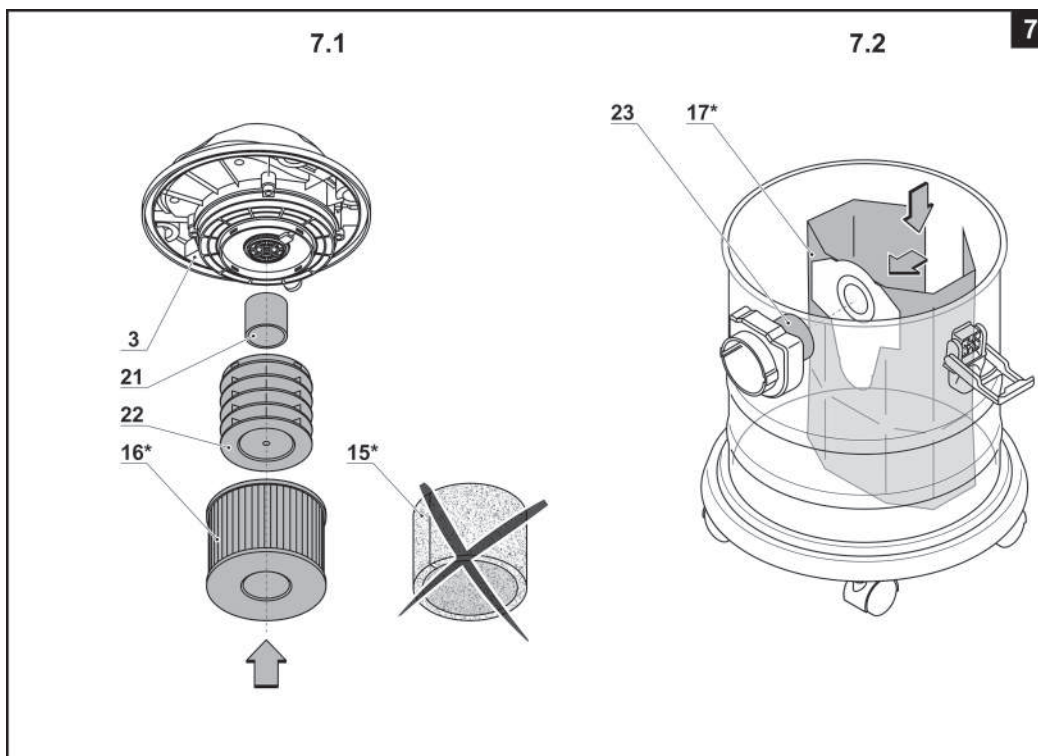
2

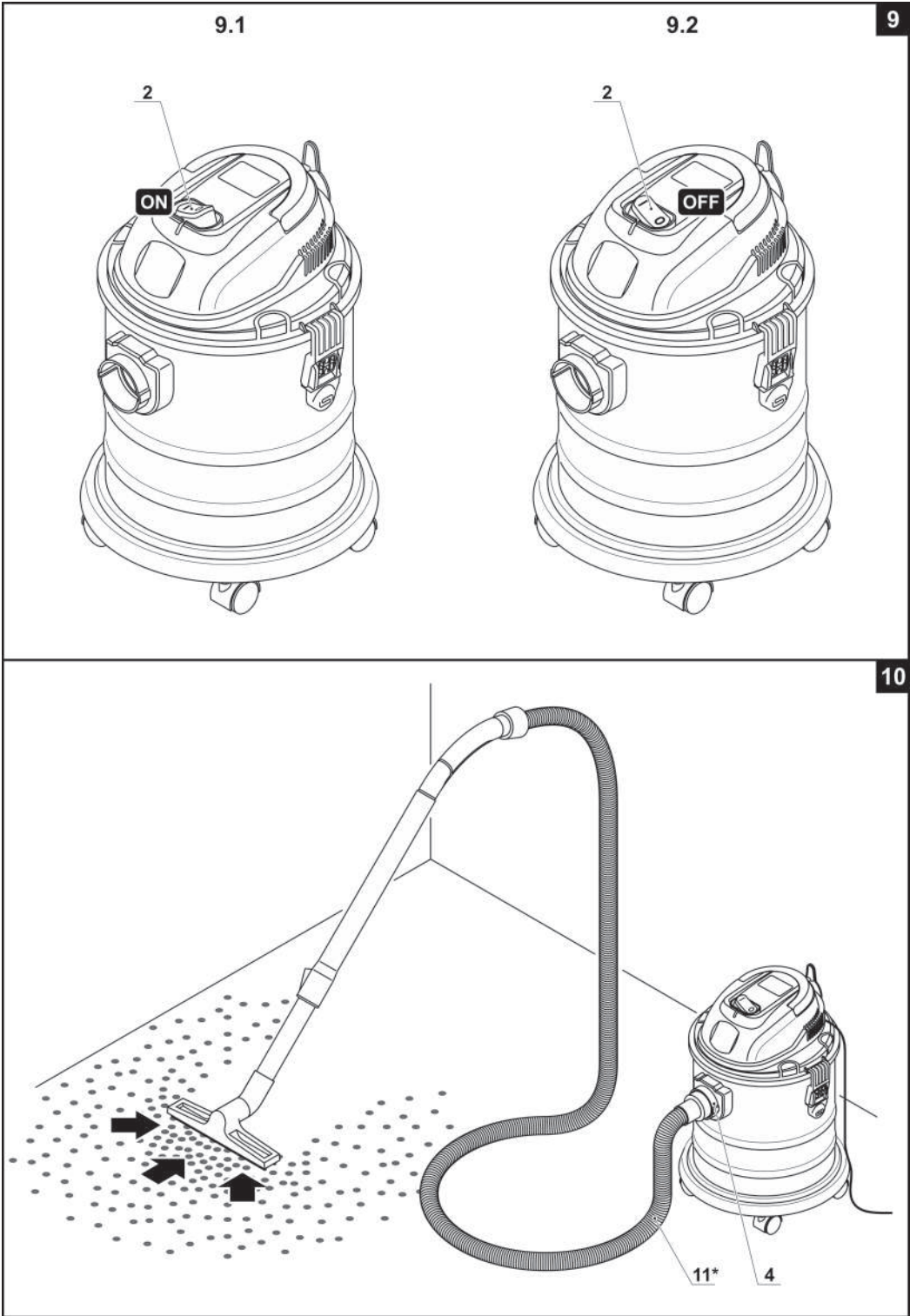


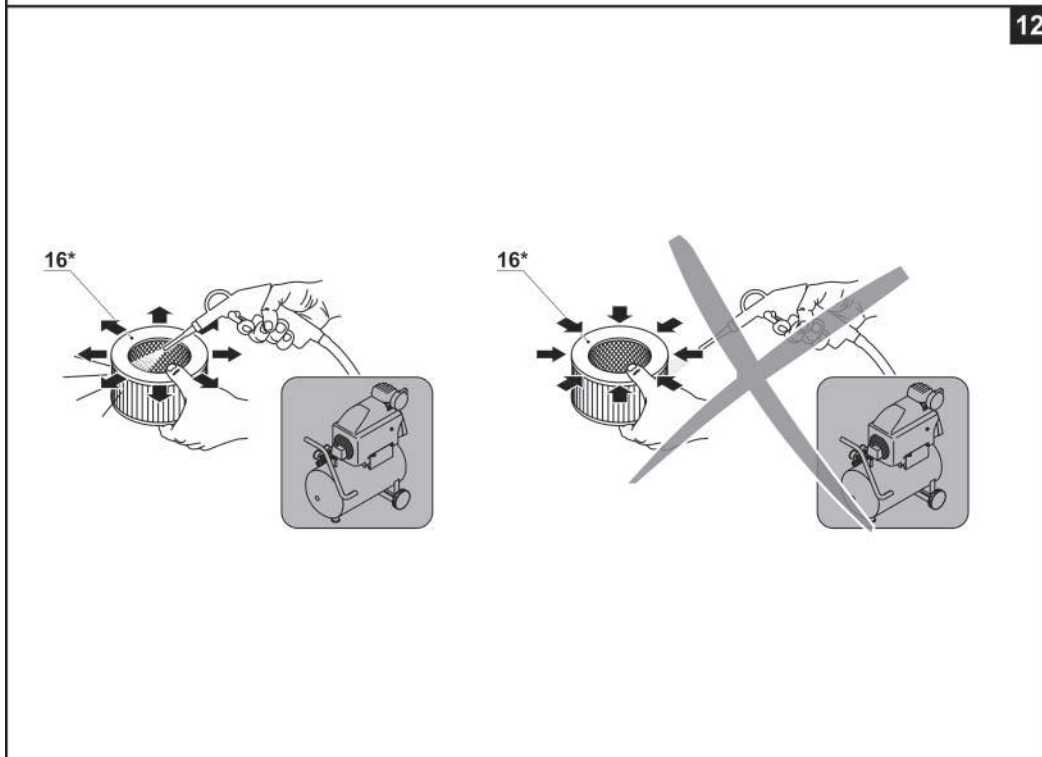
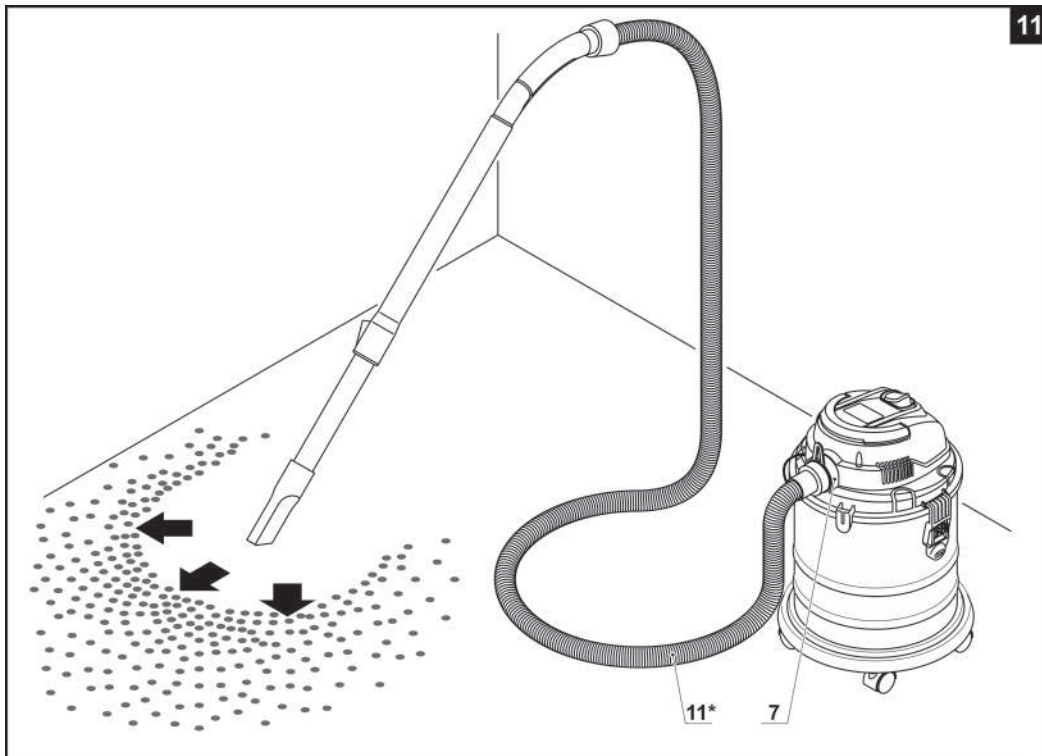
5











Power tool specifications

All-purpose vacuum cleaner		CT42045	CT42046
Power tool code	[220-240 V ~50/60 Hz]	244978	244985
Rated power	[W]	1000	1000
Amperage by voltage	220-240 V [A]	4.3	4.3
Vacuity	[kPa]	>16	>16
Air flow rate	[m³/min]	1,7	1,7
Capacity	[l]	15	20
Weight	[kg] [lb]	4,6 10.14	5,4 11.91
Safety class		□ / II / IPX4	□ / II / IPX4
Sound pressure	[dB(A)]	78	78
Acoustic power	[dB(A)]	—	—

Noise information



Always wear ear protection if the sound pressure exceed 85 dB(A).

CE Declaration of conformity

We declare under our sole responsibility that the product described under "Power tool specifications" is in conformity with all relevant provisions of the directives 2014/30/EU, 2014/35/EU including their amendments and complies with the following standards:

EN 55014-1:2017,
EN 55014-2:2015,
EN IEC 61000-3-2:2019,
EN 61000-3-3:2013+A1:2019,
EN 62233:2008,
EN 60335-1:2012+A11:2014+A13:2017+A1:2019+A2:2019+A14:2019,
EN 60335-2-2:2010+A11:2012+A1:2003.

Certification manager

Wu Cunzhen

Merit Link International AG
Stabio, Switzerland, 28.01.2021



WARNING - To reduce the risk of injury, user must read instruction manual!

General safety rules



WARNING! Read all safety warnings and all instructions. Failure to follow the warnings and instructions may result in electric shock, fire and / or serious injury.

Save all warnings and instructions for future reference.

The term "power tool" in the warnings refers to your mains-operated (corded) power tool or battery-operated (cordless) power tool.

Work area safety

- **Keep work area clean and well lit.** Cluttered or dark areas invite accidents.
- **Do not operate power tools in explosive atmospheres, such as in the presence of flammable liquids, gases or dust.** Power tools create sparks which may ignite the dust or fumes.
- **Keep children and bystanders away while operating a power tool.** Distractions can cause you to lose control.

Electrical safety

- **Power tool plugs must match the outlet. Never modify the plug in any way. Do not use any adapter plugs with earthed (grounded) power tools.** Unmodified plugs and matching outlets will reduce risk of electric shock.
- **Avoid body contact with earthed or grounded surfaces, such as pipes, radiators, ranges and refrigerators.** There is an increased risk of electric shock if your body is earthed or grounded.
- **Do not expose power tools to rain or wet conditions.** Water entering a power tool will increase the risk of electric shock.

English

- **Do not abuse the cord. Never use the cord for carrying, pulling or unplugging the power tool. Keep cord away from heat, oil, sharp edges or moving parts.** Damaged or entangled cords increase the risk of electric shock.
- **When operating a power tool outdoors, use an extension cord suitable for outdoor use.** Use of a cord suitable for outdoor use reduces the risk of electric shock.
- **If operating a power tool in a damp location is unavoidable, use a residual current device (RCD) protected supply.** Use of an RCD reduces the risk of electric shock. NOTE! The term "residual current device (RCD)" may be replaced by the term "ground fault circuit interrupter (GFCI)" or "earth leakage circuit breaker (ELCB)".
- **Warning!** Never touch the exposed metal surfaces on gearbox, shield, and so on because touching metal surfaces will be interfered with the electromagnetic wave, thus causing potential injury or accidents.

Personal safety

- **Stay alert, watch what you are doing and use common sense when operating a power tool. Do not use a power tool while you are tired or under the influence of drugs, alcohol or medication.** A moment of inattention while operating power tools may result in serious personal injury.
- **Use personal protective equipment. Always wear eye protection.** Protective equipment such as dust mask, non-skid safety shoes, hard hat, or hearing protection used for appropriate conditions will reduce personal injuries.
- **Prevent unintentional starting. Ensure the switch is in the off-position before connecting to power source and / or battery pack, picking up or carrying the tool.** Carrying power tools with your finger on the switch or energising power tools that have the switch on invites accidents.
- **Remove any adjusting key or wrench before turning the power tool on.** A wrench or a key left attached to a rotating part of the power tool may result in personal injury.
- **Do not overreach. Keep proper footing and balance at all times.** This enables better control of the power tool in unexpected situations.
- **Dress properly. Do not wear loose clothing or jewellery. Keep your hair, clothing and gloves away from moving parts.** Loose clothes, jewellery or long hair can be caught in moving parts.
- **If devices are provided for the connection of dust extraction and collection facilities, ensure these are connected and properly used.** Use of dust collection can reduce dust-related hazards.
- **Do not let familiarity gained from frequent use of tools allow you to become complacent and ignore tool safety principles.** A careless action can cause severe injury within a fraction of a second.
- **Warning!** Power tools can produce an electromagnetic field during operation. This field may under some circumstances interfere with active or passive medical implants. To reduce the risk of serious or fatal injury, we recommend persons with medical implants to consult their physician and the medical implant manufacturer before operating this power tool.

Power tool use and care

- The persons with lowered psychophysical or mental aptitudes as well as children can not operate the power tool, if they are not supervised or instructed about use of the power tool by a person responsible for their safety.
- **Do not force the power tool. Use the correct power tool for your application.** The correct power tool will do the job better and safer at the rate for which it was designed.
- **Do not use the power tool if the switch does not turn it on and off.** Any power tool that cannot be controlled with the switch is dangerous and must be repaired.
- **Disconnect the plug from the power source and / or the battery pack from the power tool before making any adjustments, changing accessories, or storing power tools.** Such preventive safety measures reduce the risk of starting the power tool accidentally.
- **Store idle power tools out of the reach of children and do not allow persons unfamiliar with the power tool or these instructions to operate the power tool.** Power tools are dangerous in the hands of untrained users.
- **Maintain power tools. Check for misalignment or binding of moving parts, breakage of parts and any other condition that may affect the power tool's operation. If damaged, have the power tool repaired before use.** Many accidents are caused by poorly maintained power tools.
- **Keep cutting tools sharp and clean.** Properly maintained cutting tools with sharp cutting edges are less likely to bind and are easier to control.
- **Use the power tool, accessories and tool bits etc. in accordance with these instructions, taking into account the working conditions and the work to be performed.** Use of the power tool for operations different from those intended could result in a hazardous situation.
- **Keep handles and grasping surfaces dry, clean and free from oil and grease.** Slippery handles and grasping surfaces do not allow for safe handling and control of the tool in unexpected situations.
- Note that when you operate a power tool, please hold the auxiliary handle correctly, which is helpful when controlling the power tool. Therefore, proper holding can reduce the risk of accidents or injuries.

Service

- **Have your power tool serviced by a qualified repair person using only identical replacement parts.** This will ensure that the safety of the power tool is maintained.
- Follow instruction for lubricating and changing accessories.

Safety guidelines during power tool operation

- Carrying out operations with the filtering devices removed is strictly prohibited- this will cause the power tool breakdown and void the warranty repair.
- Carrying out the suction of the following is prohibited:

- harmful substances (such as oak or beech wood dust, crusher rock dust, spray asbestos, etc.);
- flammable and combustible liquids (such as petrol, spirit, solvents, etc.);
- caustic chemicals and liquids (alkali, acids, caustic soda, etc.);
- sharp objects (nails, splinters of glass, etc.);
- cinder and live coals (such as unextinguished or hot coals from a fireplace or grill); the suction of waste with temperature not exceeding 50°C is permitted.
- Do not use power tools as water pumps.
- The use of the power tool in an atmosphere containing explosive gases and vapors emitted by aggressive substances is prohibited.
- Do not close the power tool air vents and do not close the suction tube orifice tightly - this may cause overheating.
- Do not put the end of the suction hose (when the appliance is on) close to body, eyes or ears - this may cause injuries.
- Do not use the air hose for the purposes other than those for which it was intended. Never use the air hose to carry the appliance or to drag it. Protect the air hose from heating, sharp edges and moving parts of other power tools or appliances.
- Picking up some substances may cause building of static charge on the parts of the vacuum cleaner. Take due care - static charge may cause sense of discomfort, loss of balance and falling.
- When working in air blowing mode make sure that the air hose is clean. Clean the hose if necessary.
- When working in air blowing mode small objects may be thrown out at high speed with the airflow. These objects may injure the person operating the appliance or surrounding persons. Use personal protective equipment (safety glasses and mask) and equip the workplace properly.
- Take special care while working on stairs.

Symbols used in the manual

Following symbols are used in the operation manual, please remember their meanings. Correct interpretation of the symbols will allow correct and safe use of the power tool.

Symbol	Meaning
	Serial number sticker: CT ... - model; XX - date of manufacture; XXXXXXX - serial number.
	Read all safety regulations and instructions.
	Wear safety goggles.

Symbol	Meaning
	Wear ear protectors.
	Wear a dust mask.
	Disconnect the power tool from the mains before installation or adjustment.
	Movement direction.
	Rotation direction.
	Locked.
	Unlocked.
	Double insulation / safety class.
	Prohibited.
	Attention. Important.
	A sign certifying that the product complies with essential requirements of the EU directives and harmonized EU standards.
	Useful information.
	Do not dispose of the power tool in a domestic waste container.

Power tool designation

All-purpose vacuum cleaners provide the suction of non-harmful dust, small particles and suction of non-flammable liquids also. They are suitable for

connection to power tools that produce cuttings, swarf and dust during operation.

Power tool components

- 1 Handle
- 2 On / off switch
- 3 Upper part of the vacuum cleaner (complete)
- 4 Hose connector (inlet, for suction)
- 5 Wheel holder
- 6 Wheel
- 7 Hose connector (outlet, for blowing)
- 8 Ventilation slots
- 9 Lock
- 10 Tank
- 11 Air hose *
- 12 Plastic tube *
- 13 Rectangular nozzle *
- 14 Crevice nozzle *
- 15 Filter *
- 16 Pleated filter *
- 17 Paper dust bag *
- 18 Telescopic tube *
- 19 Screw
- 20 Telescopic tube lock *
- 21 Float
- 22 Plastic frame
- 23 Dust bag connection pipe

* Optional extra

Not all of the accessories illustrated or described are included as standard delivery.

Installation and regulation of power tool elements

Before carrying out any works on the power tool it must be disconnected from the mains.



Do not draw up the fastening elements too tight to avoid damaging the thread.



Mounting / dismantling / setting-up of some elements is the same for all power tool models, in this case specific models are not indicated in the illustration.

Mounting / dismantling wheels (see fig. 1-2)

- Mount wheels **6** as shown in fig. 1-2.
- Disassembly operations do in reverse sequence.

Mounting / dismantling of air hose and accessories (see fig. 3-4)

- Connect air hose **11** to hose connector **4** as shown in fig. 3-4. **Note: connect air hose 11 to hose connector 7 in the same way.**
- Assemble components of the air line:
 - for **CT42045** - connect tube (tubes) **12** to the air hose **11**, connect nozzle **13** or **14** as shown in fig. 3;

- for **CT42046** - connect telescopic tube **18** to the air hose **11**, connect nozzle **13** or **14** as shown in fig. 4.2. You can change length of telescopic tube **18**: move and hold lock **20** as shown in fig. 4.1, put forward the thinner part of telescopic tube **18**, release lock **20**.
- Disassembly operations do in reverse sequence.

Preparation for operation in dry waste suck in mode (see fig. 5-7, 10)

This mode is recommended to suck in dry waste.

Using of pleated filter (see fig 5-6, 10)

- Unlock locks **9** and remove upper part of the vacuum cleaner **3** (see fig. 5).
- Install onto upper part of the vacuum cleaner **3**: plastic frame **22** with installed float **21** and install pleated filter **16** (see fig. 6). **Attention: install plastic frame 22 properly - the fixing devices on plastic frame 22 must precisely match the slots in upper part of the vacuum cleaner 3 and lock; do not allow misalignment during installation.**
- Mount upper part of the vacuum cleaner **3** and secure it with locks **9**.
- Assemble the air line and connect air hose **11** to hose connector **4** (see fig. 10).

Using of paper dust bag (see fig 5, 7, 10)

- Unlock locks **9** and remove upper part of the vacuum cleaner **3** (see fig. 5).
- If filter **15** is installed - remove it and install pleated filter **16** (see fig. 7.1).
- Connect paper dust bag **17** to connection pipe **23** (see fig. 7.2). When connecting paper dust bag **17**, take care to connect it to connection pipe **23** evenly without warp. Cardboard flange of paper dust bag **17** must touch the wall of tank **10**. Carefully straighten paper dust bag **17** after installation.
- Mount upper part of the vacuum cleaner **3** and secure it with locks **9**.
- Assemble the air line and connect air hose **11** to hose connector **4** (see fig. 10).
- **Attention: when removing paper dust bag 17 be careful not to damage it. Do not empty paper dust bag 17 for further reuse. Paper dust bag 17 is not reusable, replace it if full.**

Preparation for operation in liquid suck in mode (see fig. 5, 8, 10)

This mode is recommended to suck in liquids and moist waste.

- Unlock locks **9** and remove upper part of the vacuum cleaner **3** (see fig. 5).
- Install onto upper part of the vacuum cleaner **3**: plastic frame **22** with installed float **21** and install filter **15** (see fig. 8). **Attention: install float 21 properly into plastic frame 22 (see fig. 8.2) - improper float 21 installation may also cause the fluid to enter the power tool engine. Check if float 21 is movable. Float 21 must be able to move up and down freely, otherwise the liquids sucked in may enter the motor and bring it out of operation. Install plastic frame 22 properly - the fixing devices on plastic**

English

frame 22 must precisely match the slots in upper part of the vacuum cleaner 3 and lock; do not allow misalignment during installation.

- Mount upper part of the vacuum cleaner 3 and secure it with locks 9.
- Assemble the air line and connect air hose 11 to hose connector 4 (see fig. 10).

Preparation for operation in blowing mode (see fig. 5, 7, 11)

- Unlock locks 9 and remove upper part of the vacuum cleaner 3 (see fig. 5).
- If filter 15 is installed - remove it and install pleated filter 16 (see fig. 7.1).
- Empty the tank 10, if a papers dust bag 17 is installed - remove it, if necessary clean the air hose 11. Otherwise, the power tool may blow out dust, sawdust, etc.
- Mount upper part of the vacuum cleaner 3 and secure it with locks 9.
- Assemble the air line and connect air hose 11 to hose connector 7 (see fig. 11).

Initial operating of the power tool

Always use the correct supply voltage: the power supply voltage must match the information quoted on the power tool identification plate.

Switching the power tool on / off

Switching on:

Set on / off switch 2 into ON "I" position (see fig. 9.1).

Switching off:

Set on / off switch 2 into OFF "0" position (see fig. 9.2).

Design features of the power tool

Air blowing mode (see fig. 11)

This function allows for cleaning by blowing off waste with airflow in places where it is complicated or impossible to suck in waste (air purging of complex office machines, blowing leaves off gravel path, etc.). Connect air hose 11 to hose connector 7 (see fig. 11).

Overflow protection system

Overflow protection system automatically turns off the vacuum cleaner if the tank 10 is completely filled with liquid, this prevents enter the fluids inside power tool engine.

Recommendations on the power tool operation



Carry out all above mentioned preparation and assembly steps depending on the works to be done.

- Choose an appropriate nozzle depending on the type of operation and work surface area.

- If you are going to use the vacuum cleaner for suction operations connect air hose 11 to the hose connector 4 (see fig. 10). **Note: if you are going to use the vacuum cleaner as a dust removing system for another power tool, connect air hose 11 to the power tool using the corresponding adapter.**

- If you are going to use the vacuum cleaner for blowing operations connect air hose 11 to the hose connector 7 (see fig. 11). Attention: empty the tank 10, if a papers dust bag 17 is installed - remove it, if necessary clean the air hose 11. Otherwise, the power tool may blow out dust, sawdust, etc.

- Connect the power tool to the mains and switch it on.

- Pick up dust or liquid, blow off dry waste or work with another power tool connected to the vacuum cleaner.

- In the event of the reduction in efficiency during operation, take the following actions:

- check the suction line - if you find any clogs, remove them;
- check the pleated filter 16, clean it if dirty;
- check the filling of paper dust bag 17, replace it if full.

- After operation, switch off the power tool.

- If you have sucked in liquids, discharge the liquid from tank 10, wash and dry tank 10 and filter 15.

Power tool maintenance / preventive measures

Before carrying out any works on the power tool it must be disconnected from the mains.

Pleated filter cleaning (see fig. 12)

- Remove pleated filter 16, as described above.
- Clean pleated filter 16 using a soft brush, and then blow it out with compressed air (see fig. 12). **Notice: blowing must be done only on the inside of pleated filter 16 (see fig. 12).**
- Install pleated filter 16, as described above.
- If pleated filter 16 is damaged or seriously clogged (it is not possible to clean using the above listed methods), replace it.

Filter cleaning

- Remove filter 15 as described above.
- Carefully wash filter 15 with warm soapy water and dry it thoroughly.
- Install filter 15 as described above.
- If filter 15 is damaged or very contaminated (and may not be cleaned), remove it.

Cleaning of the power tool

An indispensable condition for a safe long-term exploitation of the power tool is to keep it clean. Regularly flush the power tool with compressed air through the ventilation slots 8.

After-sales service and application service

Our after-sales service responds to your questions concerning maintenance and repair of your product as well as spare parts. Information about service centers, parts diagrams and informa-

tion about spare parts can also be found under:
www.crown-tools.com.

Transportation of the power tools

- Only move the power tool by handle 1 or by picking it up and supporting from the bottom. Do not move the power tool by other parts (by pulling the air hose 11 or power cable).
- Categorically not to drop any mechanical impact on the packaging during transport.
- When unloading / loading is not allowed to use any kind of technology that works on the principle of clamping packaging.

Environmental protection



Recycle raw materials instead of disposing as waste.

Power tool, accessories and packaging should be sorted for environment - friendly recycling.

The plastic components are labelled for categorized recycling.

These instructions are printed on recycled paper manufactured without chlorine.

The manufacturer reserves the possibility to introduce changes.

English

Especificaciones de la herramienta eléctrica

Aspiradora multipropósito		CT42045	CT42046
Código de la herramienta eléctrica	[220-240 V ~50 / 60 Hz]	244978	244985
Potencia absorbida	[W]	1000	1000
Amperaje en el voltaje	220-240 V [A]	4.3	4.3
Vacuidad	[kPa]	>16	>16
Índice de flujo de aire	[m³/min]	1,7	1,7
Capacidad	[l]	15	20
Peso	[kg] [lb]	4,6 10.14	5,4 11.91
Clases de protección		□ / II / IPX4	□ / II / IPX4
Presión acústica	[dB(A)]	78	78
Potencia acústica	[dB(A)]	—	—

Información sobre ruidos



Tome medidas adecuadas para proteger sus oídos cuando la presión acústica exceda el valor de 85 dB(A).

CE Declaración de conformidad

Declaramos bajo nuestra exclusiva responsabilidad, que el producto descrito en los "Especificaciones de la herramienta eléctrica" cumple con todas las disposiciones correspondientes de las directivas 2014/30/EU, 2014/35/EU inclusive sus modificaciones y esta en conformidad con las siguientes normas:

EN 55014-1:2017,
EN 55014-2:2015,
EN IEC 61000-3-2:2019,
EN 61000-3-3:2013+A1:2019,
EN 62233:2008,
EN 60335-1:2012+A11:2014+A13:2017+A1:2019+A2:2019+A14:2019,
EN 60335-2-2:2010+A11:2012+A1:2003.

Gerente de certificación

Wu Cunzhen

Merit Link International AG
Stabio, Suiza, 28.01.2021



ADVERTENCIA - ¡Para reducir el riesgo de lesiones, el usuario debe leer el manual de instrucciones!

Reglas de seguridad generales



¡ADVERTENCIA! Leer todas las instrucciones y advertencias de seguridad. El incumplimiento de las advertencias e instrucciones puede provocar una descarga eléctrica, incendio y / o lesiones graves.

Conservar todas las advertencias e instrucciones para referencia en el futuro.

El término "herramienta eléctrica" en las advertencias se refiere a su herramienta eléctrica accionada por la red eléctrica (con cable) o a una herramienta eléctrica accionada por batería (inalámbrica).

Seguridad en el área de trabajo

- **Mantenga el área de trabajo limpia y bien iluminada.** Las áreas desordenadas u oscuras dan lugar a accidentes.
- **No utilice herramientas eléctricas en atmósferas explosivas, como en presencia de líquidos inflamables, gases o polvo.** Las herramientas eléctricas crean chispas que pueden encender el polvo o los vapores.
- **Mantenga alejados a los niños y espectadores mientras maneja una herramienta eléctrica.** Las distracciones pueden hacer que pierda el control.

Seguridad frente a la electricidad

- **El enchufe macho de conexión, debe ser conectado solamente a un enchufe hembra de las características técnicas del enchufe macho en materia.** Nunca modifique el enchufe de ninguna manera. No utilice enchufes adaptadores con herramientas eléctricas conectadas a tierra. Los enchufes no modificados y los tomacorrientes correspondientes reducirán el riesgo de descarga eléctrica.

Español

- **Evite el contacto del cuerpo con superficies conectadas a tierra, tales como tuberías, radiadores, estufas y refrigeradores.** Existe un mayor riesgo de descarga eléctrica si su cuerpo tiene descarga a tierra.
- **No exponga las herramientas eléctricas a la lluvia o a condiciones húmedas.** Si entra agua a una herramienta eléctrica aumentará el riesgo de descarga eléctrica.
- **No abuse del cable. Nunca use el cable para transportar, tirar o desenchufar la herramienta eléctrica.** Mantenga el cable alejado de calor, aceite, bordes afilados o partes móviles. Los cables dañados o enredados aumentan el riesgo de descarga eléctrica.
- **Si el cable de alimentación está dañado, debe ser sustituido por el fabricante, por su servicio posventa o por personal cualificado similar con el fin de evitar un peligro.**
- **Cuando utilice una herramienta eléctrica al aire libre, utilice un alargue adecuado para uso en exteriores.** El uso de un cable adecuado para uso en exteriores reduce el riesgo de descarga eléctrica.
- **Si el uso de una herramienta eléctrica en una ubicación húmeda es inevitable, utilice un suministro protegido de dispositivo de corriente residual (RCD).** El uso de un RCD reduce el riesgo de descarga eléctrica. ¡NOTA! El término "dispositivo de corriente residual (RCD)" puede sustituirse por el término "interruptor de circuito de falla a tierra (GFCI)" o "disyuntor de fuga a tierra (ELCB)".
- **¡Advertencia!** Nunca toque las superficies metálicas expuestas en la caja de velocidades, el protector, etc., porque si se tocan las superficies metálicas se verán afectadas por la onda electromagnética y se causarán lesiones o accidentes potenciales.

Seguridad personal

- **Manténgase alerta, observe lo que está haciendo y use el sentido común cuando opere una herramienta eléctrica.** No use una herramienta eléctrica si está cansado o bajo la influencia de drogas, alcohol o medicamentos. Un momento de inatención al operar herramientas eléctricas puede producir lesiones personales graves.
- **Use equipo de protección personal. Siempre lleve protección ocular.** Equipos de protección como máscaras antipolvo, zapatos de seguridad antideslizantes, cascos o protección auditiva usados para condiciones apropiadas reducirán las lesiones personales.
- **Evite el arranque involuntario. Asegúrese de que el interruptor esté en la posición de apagado antes de conectar la fuente de alimentación y / o el bloque de baterías, recoger o transportar la herramienta.** Llevar las herramientas eléctricas con el dedo en el interruptor o conectar las herramientas eléctricas con el interruptor en encendido da lugar a accidentes.
- **Saque cualquier llave de ajuste o llave de tuerca antes de encender la herramienta eléctrica.** Si se deja una llave de ajuste o llave de tuerca unida a una parte giratoria de la herramienta eléctrica se pueden producir lesiones personales.
- **No adopte una postura forzada. Mantenga la postura y el equilibrio en todo momento.** Esto permite un mejor control de la herramienta eléctrica en situaciones inesperadas.
- **Use ropa adecuada. No use prendas sueltas o joyas. Mantenga el cabello, la ropa y los guantes**

alejados de las partes móviles. La ropa suelta, las joyas o el pelo largo pueden quedar atrapados en las partes móviles.

- **Si se proporcionan dispositivos para la conexión de las instalaciones de extracción y recolección de polvo, asegúrese de que se conecten y utilicen correctamente.** El uso del dispositivo para la recolección de polvo puede reducir los peligros relacionados con el polvo.
- **No deje que la familiaridad obtenida con el uso frecuente de herramientas le permita ser complaciente e ignorar los principios de seguridad de las herramientas.** Una acción descuidada puede causar lesiones graves en una fracción de segundo.
- **¡Advertencia!** Las herramientas eléctricas pueden producir un campo electromagnético durante el funcionamiento. Este campo puede interferir en algunas circunstancias con los implantes médicos activos o pasivos. Para reducir el riesgo de lesiones graves o mortales, recomendamos a las personas con implantes médicos consultar a su médico y al fabricante de implantes médicos antes de operar esta herramienta eléctrica.

Uso y cuidado de la herramienta eléctrica

- Las personas con aptitudes psicofísicas o mentales disminuidas, así como los niños no pueden operar la herramienta eléctrica, si no son supervisados o instruidos sobre el uso de la herramienta eléctrica por una persona responsable de su seguridad.
- **No fuerce la herramienta eléctrica. Utilice la herramienta eléctrica adecuada para su aplicación.** La herramienta eléctrica correcta hará el trabajo mejor y más seguro a la velocidad para la que fue diseñada.
- **No utilice la herramienta eléctrica si el interruptor no la enciende y apaga.** Cualquier herramienta eléctrica que no pueda ser controlada con el interruptor es peligrosa y debe ser reparada.
- **Desconecte el enchufe de la fuente de alimentación y / o la batería de la herramienta eléctrica antes de realizar cualquier ajuste, cambiar accesorios o guardarla.** Estas medidas preventivas de seguridad reducen el riesgo de arrancar la herramienta accidentalmente.
- **Guarde las herramientas eléctricas inactivas fuera del alcance de los niños y no permita que las personas que no estén familiarizadas con la herramienta eléctrica o estas instrucciones la utilicen.** Las herramientas eléctricas son peligrosas en manos de usuarios inexpertos.
- **Mantenimiento de las herramientas eléctricas** Compruebe si la herramienta está desalineada, si las piezas móviles están atascadas, si hay piezas rotas o cualquier otra condición que pueda afectar el funcionamiento de la herramienta eléctrica. Si está dañada, haga reparar la herramienta eléctrica antes de usarla. Muchos accidentes son causados por el mantenimiento deficiente de las herramientas eléctricas.
- **Mantenga las herramientas de corte, afiladas y limpias.** Las herramientas de corte adecuadamente mantenidas con bordes afilados son menos propensas a empastarse y más fáciles de controlar.
- **Utilice la herramienta eléctrica, los accesorios y las brocas de las herramientas, etc. de acuerdo con estas instrucciones, teniendo en cuenta las condiciones de trabajo y el trabajo a realizar.** El uso de la herramienta eléctrica para operaciones di-

ferentes de las previstas podría producir una situación peligrosa.

- **Mantenga las manijas y las superficies de agarre secas, limpias y libres de aceite y grasa.** Las manijas y las superficies de agarre resbaladizas no permiten un manejo y un control seguros de la herramienta en situaciones inesperadas.

- Tenga en cuenta que cuando utilice una herramienta eléctrica debe sostener la manija auxiliar correctamente, esto es útil para controlar la herramienta eléctrica. Por lo tanto, sostenerla de manera adecuada puede reducir el riesgo de accidentes o lesiones.

Servicio

- **Haga reparar su herramienta eléctrica por personal de reparación calificado que use solamente piezas de repuesto idénticas.** Esto asegurará que se mantenga la seguridad de la herramienta eléctrica.
- Siga las instrucciones para lubricar y cambiar los accesorios.

Guías de seguridad durante el funcionamiento de la herramienta eléctrica

- Llevar a cabo operaciones con dispositivos de filtrado removidos está estrictamente prohibido; esto causará que se rompa la herramienta eléctrica y anulará la reparación de garantía.
- Está prohibido llevar a cabo la succión de lo siguiente:
 - sustancias dañinas (como polvo de madera de haya o roble, polvo de roca machacada, asbestos pulverizado, etc.);
 - líquidos inflamables y combustibles (como petróleo, alcohol, solventes, etc.);
 - productos químicos cáusticos y líquidos (productos alcalinos, ácidos, soda cáustica, etc.);
 - objetos filosos (clavos, trozos de vidrio, etc.);
 - escoria y carbones vivos (como carbones calientes o no extintos de una chimenea o asador); la succión de desechos con temperatura que no supere los 50°C está permitida.
- No use las herramientas eléctricas como bombas de agua.
- Está prohibido el uso de herramienta eléctrica en una atmósfera con gases y vapores explosivos emitidos por sustancias agresivas.
- No cierre los ventiladores de aire de la herramienta eléctrica y no cierre el orificio de tubo de succión totalmente; esto puede causar sobrecalentamiento.
- No coloque el extremo de la manguera de succión (cuando el artefacto está encendido) cerca del cuerpo, los ojos o las orejas, esto puede causar lesiones.
- No use la manguera de aire para otros propósitos que no sean los designados. Nunca use la manguera de aire para transportar el artefacto o para arrastrarlo. Proteja la manguera de aire del calor, de bordes filosos y de partes móviles de otras herramientas eléctricas o de otros artefactos.
- Recoger algunas sustancias puede provocar la acumulación de carga estática en las piezas de la aspiradora. Tenga cuidado: la carga estática puede causar una sensación de molestia, pérdida de equilibrio y desmayos.
- Cuando esté trabajando en el modo de soplado de aire, asegúrese de que la manguera de aire esté limpia. Limpie la manguera, si fuera necesario.
- Cuando esté trabajando en el modo de soplado de aire, es posible que los objetos pequeños salgan des-


pedidos a una alta velocidad con el flujo de aire. Estos objetos pueden herir a la persona que esté operando el artefacto o a las personas que estén cerca. Use equipo de protección personal (gafas de seguridad y máscara) y equipe el lugar de trabajo de manera adecuada.

- Tenga especial cuidado cuando trabaje en escaleras.

Símbolos usados en el manual

Los siguientes símbolos se utilizan en el manual de instrucciones, recuerde sus significados. La interpretación correcta de los símbolos le permitirá el uso correcto y seguro de la herramienta eléctrica.

Símbolo	Significado
	Etiqueta con número de serie: CT ... - modelo; XX - fecha de fabricación; XXXXXXX - número de serie.
	Lea todas las reglas e instrucciones de seguridad.
	Use gafas de seguridad.
	Use protectores para los oídos.
	Use una máscara antipolvo.
	Desconecte la herramienta eléctrica de la red antes de instalarla o ajustarla.
	Dirección del movimiento.
	Dirección de la rotación.
	Bloqueado.
	Desbloqueado.
	Doble aislamiento / clase de protección.

Símbolo	Significado
	Prohibido.
	Atención. Importante.
	Un signo que certifica que el producto cumple con los requisitos esenciales de las directivas de la UE y las normas armonizadas de la UE.
	Información útil.
	No deseche la herramienta eléctrica en un recipiente de basura doméstica.

Designación de la herramienta eléctrica

Las aspiradoras multi propósito brindan la succión del polvo no dañino, de pequeñas partículas y también de líquidos no inflamables. Son adecuadas para conectar a las herramientas eléctricas que producen cortes, virutas y polvillo durante la operación.

Componentes de la herramienta eléctrica

- 1 Empuñadura
- 2 Interruptor de encendido / apagado
- 3 Parte superior de la aspiradora (completa)
- 4 Conector de manguera (entrada, para succión)
- 5 Soporte de rueda
- 6 Rueda
- 7 Conector de manguera (salida, para soplar)
- 8 Ranuras de ventilación
- 9 Bloqueo
- 10 Tanque
- 11 Manguera de aire *
- 12 Tubo de plástico *
- 13 Boquilla rectangular *
- 14 Boquilla para grietas *
- 15 Filtro *
- 16 Filtro plisado *
- 17 Bolsa de papel para el polvo *
- 18 Caño telescópico *
- 19 Tornillo
- 20 Bloqueo del caño telescópico *
- 21 Flotación
- 22 Marco de plástico
- 23 Caño de conexión para la bolsa para polvo

* Accesorios

No todos los accesorios fotografiados o descritos están incluidos en el envío estándar.

Instalación y regulación de los elementos de la herramienta eléctrica

Antes de llevar a cabo cualquier trabajo sobre la herramienta eléctrica, debe desconectarse de la fuente de energía.



No apriete demasiado los elementos de ajuste para evitar dañar el hilo.



El montaje / desmontaje / configuración de algunos de los elementos es el mismo para todos los modelos de la herramienta eléctrica, en este caso los modelos específicos no están indicados en la ilustración.

Montaje / desmontaje de las ruedas (ver fig. 1-2)

- Monte las ruedas 6 como lo muestran la figura 1-2.
- Las operaciones de desarmado se hacen en secuencia inversa.

Montaje / desmontaje de la manguera de aire y los accesorios (ver fig. 3-4)

- Conecte la manguera de aire 11 al conector de la manguera 4 como se muestra en la fig. 3-4. **Nota: conecte la manguera de aire 11 al conector de la manguera 7 de la misma manera.**
- Ensamble los componentes de la línea de aire:
 - para el modelo **CT42045** - conecte el tubo (tubos) 12 a la manguera de aire 11, conecte la boquilla 13 o 14 como se muestra en la fig. 3;
 - para el modelo **CT42046** - conecte el tubo telescópico 18 a la manguera de aire 11, conecte la boquilla 13 o 14 como se muestra en la fig. 4.2. Puede cambiar la longitud del tubo telescópico 18: mueva y mantenga el bloqueo 20 como se muestra en la fig. 4.1, coloque la parte más delgada del tubo telescópico 18, suelte el bloqueo 20.
- Las operaciones de desarmado se hacen en secuencia inversa.

Preparación para el funcionamiento en modo de succión de desechos secos (ver fig. 5-7, 10)

Se recomienda este modo para succionar desechos secos.

Uso del filtro plisado (ver fig. 5-6, 10)

- Destrabe los bloques 9 y retire la parte superior de la aspiradora 3 (ver fig. 5).
- Instale en la parte superior de la aspiradora 3 el marco de plástico 22 con el flotador 21 montado y luego instale el filtro plisado 16 (ver fig. 6). **Atención: instale el marco de plástico 22 correctamente - los dispositivos de fijación en el marco de plástico 22 deben coincidir con precisión con las ranuras en la parte superior de la aspiradora 3 y bloquearse; no permita la desalineación durante la instalación.**
 - Monte la parte superior de la aspiradora 3 y asegúrela con los bloques 9.
 - Monte la línea de aire y conecte la manguera de aire 11 al conector de la manguera 4 (ver fig. 10).

Uso de la bolsa de papel para polvo (ver fig. 5, 7, 10)

- Destrabe los bloqueos **9** y retire la parte superior de la aspiradora **3** (ver fig. 5).
- Si el filtro **15** está instalado, retírelo e instale el filtro plisado **16** (ver fig. 7.1).
- Conecte la bolsa de papel para polvo **17** al caño de conexión **23** (ver fig. 7.2). Al conectar la bolsa de papel para polvo **17**, tenga cuidado de conectarla en forma pareja al caño de conexión **23**, sin que se combe. La pestaña de cartón de la bolsa de papel para polvo **17** debe tocar la pared del tanque **10**. Enderece cuidadosamente la bolsa de papel para polvo **17** después de la instalación.
- Monte la parte superior de la aspiradora **3** y asegúrela con los bloqueos **9**.
- Monte la línea de aire y conecte la manguera de aire **11** al conector de la manguera **4** (ver fig. 10).
- **Atención: cuando retire la bolsa de papel para polvo 17 tenga cuidado de no dañarla. No vacíe la bolsa de papel para polvo 17 para volver a utilizarla. La bolsa de papel para polvo 17 no es reutilizable, reemplácela por completo.**

Preparación para el funcionamiento en modo de succión de líquidos (ver fig. 5, 8, 10)

Se recomienda este modo para succionar líquidos y desechos húmedos.

- Destrabe los bloqueos **9** y retire la parte superior de la aspiradora **3** (ver fig. 5).
- Instale en la parte superior de la aspiradora **3** el marco de plástico **22** con el flotador **21** montado y luego instale el filtro **15** (ver fig. 8). **Atención: instale el flotador 21 correctamente en el marco de plástico 22 (ver fig. 8.2); una instalación incorrecta del flotador 21 también puede hacer que el líquido entre en el motor de la herramienta eléctrica. Compruebe si el flotador 21 es móvil. El flotador 21 debe poder moverse hacia arriba y hacia abajo libremente, de lo contrario los líquidos aspirados pueden entrar en el motor y ponerlo fuera de servicio. Instale el marco de plástico 22 correctamente - los dispositivos de fijación en el marco de plástico 22 deben coincidir con precisión con las ranuras en la parte superior de la aspiradora 3 y bloquearse; no permita la desalineación durante la instalación.**
- Monte la parte superior de la aspiradora **3** y asegúrela con los bloqueos **9**.
- Monte la línea de aire y conecte la manguera de aire **11** al conector de la manguera **4** (ver fig. 10).

Preparación para la operación en modo de soplado (ver fig. 5, 7, 11)

- Destrabe los bloqueos **9** y retire la parte superior de la aspiradora **3** (ver fig. 5).
- Si el filtro **15** está instalado, retírelo e instale el filtro plisado **16** (ver fig. 7.1).
- Vacíe el tanque **10**; si hay una bolsa para polvo de papel **17** instalada, retírela. Si fuera necesario, limpie la manguera de aire **11**. De lo contrario, la herramienta eléctrica puede expulsar polvo, aserrín, etc.
- Monte la parte superior de la aspiradora **3** y asegúrela con los bloqueos **9**.
- Monte la línea de aire y conecte la manguera de aire **11** al conector de la manguera **7** (ver fig. 11).

Funcionamiento inicial de la herramienta eléctrica

Utilice siempre la tensión adecuada de la red: la tensión de la red debe coincidir con la información citada en la placa de identificación de la herramienta eléctrica.

Encendido / apagado de la herramienta eléctrica

Encender:

Mueva el interruptor de encendido / apagado **2** a la posición **ON "I"** (ver fig. 9.1).

Apagar:

Mueva el interruptor de encendido / apagado **2** a la posición **OFF "0"** (ver fig. 9.2).

Características de diseño de la herramienta eléctrica

Modo de soplado de aire (ver fig. 11)

Esta función permite la limpieza mediante el soplado de desechos con flujo de aire en lugares donde es complicado o imposible succionar los desechos (el purgado de aire de máquinas de oficina complejas, el soplado de hojas en senderos de grava, etc.). Conecte la manguera de aire **11** al conector de la manguera **7** (ver fig. 11).

Sistema de protección contra desborde

El sistema de protección contra desborde apaga automáticamente la aspiradora si el tanque **10** está completamente lleno de líquido, esto evita que entren los líquidos dentro del motor de la herramienta eléctrica.

Recomendaciones sobre el funcionamiento



Realice todas las operaciones antes mencionadas y los pasos de armado dependiendo del trabajo a realizar.

- Elija una boquilla apropiada dependiendo del tipo de operación y del área de superficie de trabajo.
- Si va a utilizar la aspiradora para operaciones de succión, conecte la manguera de aire **11** al conector de la manguera **4** (ver fig. 10). **Nota: si va a usar la aspiradora como un sistema para eliminar polvo para otra herramienta eléctrica, conecte la manguera de aire 11 a la herramienta eléctrica utilizando el adaptador correspondiente.**
- Si va a utilizar la aspiradora para operaciones de soplado, conecte la manguera de aire **11** al conector de manguera **7** (ver fig. 11). Atención: vacíe el depósito **10**; si hay una bolsa de papel **17** instalada, retírela. Si fuera necesario, limpie la manguera de aire **11**. De lo contrario, la herramienta eléctrica puede expulsar polvo, aserrín, etc.
- Conecte la herramienta eléctrica a la red eléctrica y enciéndala.

- Recoja el polvo o el líquido, sople el desecho seco o trabaje con otra herramienta eléctrica conectada a la aspiradora.
- En caso de reducción de eficiencia en la operación siga estos pasos:
 - verifique la línea de succión, si encuentra obstrucciones, quítelas;
 - verificar el filtro plisado **16**; límpielo si está sucio;
 - revise el relleno de la bolsa de papel para polvo **17**, vacíela si está llena.
- Después de la operación, apague la herramienta eléctrica.
- Si ha aspirado líquidos, descargue el líquido del tanque **10**, lave y seque el tanque **10** y el filtro **15**.

Mantenimiento de la herramienta eléctrica / medidas preventivas

Antes de llevar a cabo cualquier trabajo sobre la herramienta eléctrica, debe desconectarse de la fuente de energía.

Limpieza del filtro plisado (ver fig. 12)

- Retire el filtro plisado **16**, como se describió anteriormente.
- Debe limpiar el filtro plisado **16** con un cepillo suave y luego soplarlo con aire comprimido (ver fig. 12). **Aviso: el soplado debe realizarse únicamente en el interior del filtro plisado 16 (ver fig. 12).**
- Instale el filtro plisado **16**, como se describe arriba.
- Si el filtro plisado **16** está dañado u obstruido seriamente (no es posible limpiar usando los métodos enumerados anteriormente), reemplácelo.

Limpieza de filtros

- Quite el filtro **15**, como se describe arriba.
- Lave el filtro **15** con cuidado en agua caliente y jabón y luego séquelo bien.
- Instale el filtro **15**, como se describe arriba.
- Si el filtro **15** está dañado o gravemente obstruido (es imposible de limpiar) reemplácelo.

Limpieza de la herramienta eléctrica

Una condición indispensable para un uso seguro a largo plazo de la herramienta eléctrica es mantenerla limpia. Con frecuencia limpie la herramienta con aire comprimido a través de las ranuras de ventilación **8**.

Servicio de post-venta y servicio de aplicaciones

Nuestro servicio de post-venta responde a sus preguntas sobre el mantenimiento y la reparación de su producto, así como también sobre los repuestos. La información sobre los centros de servicio, los diagramas de las piezas y sobre los repuestos también se puede encontrar en: www.crown-tools.com.

Cómo transportar las herramientas eléctricas

- Mueva la herramienta eléctrica únicamente por el mango **1** o levantándola y sujetándola por la parte inferior. No mueva la herramienta eléctrica por otras partes (tirando de la manguera de aire **11** o del cable de alimentación).
- Está terminantemente prohibido dejarlas caer para que no se produzca ningún impacto mecánico en el embalaje durante el transporte.
- Cuando se descarguen / carguen, no se permite usar ningún tipo de tecnología que funcione bajo el principio de sujeción de embalajes.

Protección del medio ambiente



Recicle las materias primas en lugar de eliminarlas como basura.

Las herramientas, los accesorios y el embalaje deberían seleccionarse para un reciclado cuidadoso del medio ambiente.

Las piezas de material plástico están marcadas para un reciclado selectivo. Estas instrucciones están impresas sobre papel reciclado sin la utilización de cloro.

El fabricante se reserva la posibilidad de incluir cambios.

Español

Технические характеристики электроинструмента

Универсальный пылесос		СТ42045	СТ42046
Код электроинструмента	[220-240 В ~50 / 60 Гц]	244978	244985
Номинальная мощность	[Вт]	1000	1000
Сила тока при напряжении	220-240 В [А]	4.3	4.3
Разрежение	[кПа]	>16	>16
Воздушный поток	[м³/мин]	1,7	1,7
Емкость	[л]	15	20
Вес	[кг] [фунты]	4,6 10.14	5,4 11.91
Класс безопасности		□ / II / IPX4	□ / II / IPX4
Звуковое давление	[дБ(А)]	78	78
Акустическая мощность	[дБ(А)]	—	—

Информация о шуме



Носить приспособление для защиты органов слуха при уровне звукового давления свыше 85 дБ(А).

CE Соответствия требуемым нормам

Мы заявляем под нашу единоличную ответственность, что описанный в разделе "Технические характеристики электроинструмента" продукт отвечает всем соответствующим положениям Директив 2014/30/EU, 2014/35/EU, включая их изменения, а также следующим нормам:

EN 55014-1:2017,
EN 55014-2:2015,
EN IEC 61000-3-2:2019,
EN 61000-3-3:2013+A1:2019,
EN 62233:2008,
EN 60335-1:2012+A11:2014+A13:2017+A1:2019+A2:2019+A14:2019,
EN 60335-2-2:2010+A11:2012+A1:2003.

Менеджер по сертификации

Wu Cunzhen

Merit Link International AG
Stabio, Швейцария, 28.01.2021



ПРЕДУПРЕЖДЕНИЕ - Чтобы снизить риск получения травм, пользователь должен ознакомиться с руководством по эксплуатации!

Общие правила техники безопасности



ПРЕДУПРЕЖДЕНИЕ! Прочтите все предупреждения о технике безопасности и инструкции. Несоблюдение предупреждений и инструкций может привести к поражению электрическим током, возгоранию и / или серьезной травме. Сохраните все предупреждения и инструкции для дальнейшего использования. Термин "электроинструмент", используемый в тексте предупреждений, относится к электроинструменту с питанием от электросети (проводной) или электроинструменту с питанием от аккумулятора (беспроводной).

Безопасность рабочего места

- Рабочее место должно быть чистым и хорошо освещенным. В захламленных или темных местах вероятны несчастные случаи.
- Не используйте электроинструменты во взрывоопасных средах, например, в присутствии легковоспламеняющихся жидкостей, газов или пыли. Электроинструменты создают искры, которые могут стать причиной воспламенения пыли или паров.
- Во время работы электроинструмента не допускайте присутствия детей и других лиц. Отвлечение внимания может привести к потере контроля.

Рекомендации по электробезопасности

- Вилки электроинструмента должны соответствовать розетке. Никогда не вносите изменения в конструкцию вилки. Не используйте адаптеры с заземленными электроинструментами. Вилки оригинальной конструкции и соответствующей.

Русский

щие розетки уменьшают риск поражения электрическим током.

- **Избегайте контакта с заземленными поверхностями, такими как трубы, радиаторы, плиты и холодильники.** Это повышает риск поражения электрическим током.

- **Не подвергайте электроинструмент воздействию дождя или влаги.** Попадание воды внутрь электроинструмента повышает риск поражения электрическим током.

- **Не используйте токоведущий кабель в целях, для которых он не предназначен.** Никогда не используйте кабель для переноски электроинструмента, подтягивания электроинструмента к себе, или для выключения электроинструмента рывком за токоведущий кабель. Оберегайте токоведущий кабель от нагревания, нефтепродуктов, острых кромок или движущихся частей электроинструмента. Поврежденный или спутанный токоведущий кабель увеличивает опасность поражения электрическим током.

- **При работах на открытом воздухе, используйте удлинительные кабели, предназначенные для наружных работ, это снизит опасность поражения электрическим током.**

- **Если нельзя избежать работы электроинструмента на участке с повышенной влажностью, используйте устройство защитного отключения (УЗО).** Использование УЗО снижает риск поражения электрическим током. ПРИМЕЧАНИЕ! Термин "УЗО (RCD)" может быть заменен термином "устройство защитного отключения (GFCI)" или "автоматический выключатель с функцией защиты от тока утечки (ELCB)".

- **Предупреждение!** Никогда не прикасайтесь к открытым металлическим поверхностям редуктора, защитного кожуха и т.д., так как на металлические поверхности воздействуют электромагнитные волны и касание к ним может привести к травме или несчастному случаю.

Рекомендации по личной безопасности

- **Будьте бдительными, следите за тем, что вы делаете, и при работе с электроинструментом руководствуйтесь здравым смыслом.** Не используйте электроинструмент, если вы устали или находитесь под воздействием наркотических средств, алкоголя или лекарств. Ослабление внимания при работе с электроинструментом может привести к серьезной травме.

- **Используйте средства индивидуальной защиты.** Всегда надевайте защитные очки. Средства индивидуальной защиты, такие как пылезащитная маска, нескользящая защитная обувь, каска или средства защиты органов слуха, которые используются в соответствующих условиях, уменьшают вероятность получения травм.

- **Не допускайте непреднамеренного запуска электроинструмента.** Перед подключением к источнику питания и / или аккумулятору, поднятием или переносом электроинструмента убедитесь, что выключатель / выключатель находится в выключенном состоянии. Перемещение электроинструмента, когда палец находится на выключателе / выключателе, или включение питания электроинструментов с включенным выключателем / выключателем может стать причиной несчастного случая.

- **Перед включением, необходимо убрать из вращающихся частей электроинструмента все дополнительные ключи и приспособления.** Ключ,

оставленный во вращающейся части электроинструмента, может быть причиной серьезных травм.

- **Не предпринимайте чрезмерных усилий.** Всегда сохраняйте устойчивое положение и равновесие. Это позволяет лучше контролировать электроинструмент в непредвиденных ситуациях.

- **Носите соответствующую одежду.** Не надевайте свободную одежду или украшения. Держите волосы, одежду и перчатки вдали от движущихся деталей. Свободная одежда, украшения или длинные волосы могут быть захвачены подвижными частями электроинструмента, что станет причиной серьезных травм.

- **Если в конструкции электроинструмента предусмотрена возможность для подключения пылеулавливающих и пылесборных устройств, убедитесь, что они подключены и правильно используются.** Использование таких устройств уменьшает опасности, связанные с накоплением пыли.

- **Всегда будьте осторожны, не игнорируйте принципы безопасной работы с электроинструментом из-за знаний и опыта, полученных вследствие частого пользования электроинструментом.** Неосторожное действие может незамедлительно привести к серьезным травмам.

- **Предупреждение!** Во время работы электроинструменты могут создавать электромагнитное поле. При определенных обстоятельствах такое поле может создавать помехи активным или пассивным медицинским имплантатам. Чтобы снизить риск серьезной или смертельной травмы, перед использованием электроинструмента рекомендуем людям с медицинскими имплантатами проконсультироваться с врачом и изготовителем медицинского имплантата.

Использование и обслуживание электроинструмента

- Люди с недостаточными психофизическими или умственными способностями и дети не могут управлять электроинструментом, если человек, ответственный за их безопасность, не контролирует их или не инструктирует об использовании электроинструмента.

- **Не перегружайте электроинструмент.** Используйте электроинструмент, который соответствует вашей цели применения. Соответствующий электроинструмент будет работать лучше и безопаснее с той производительностью, для которой он был спроектирован.

- **Не работайте электроинструментом с неисправным выключателем / выключателем.** Электроинструмент, включение / выключение которого, не может контролироваться представляет опасность и должен быть немедленно отремонтирован.

- **Перед выполнением каких-либо настроек, сменой принадлежности или хранением электроинструментов - отсоедините вилку от источника питания и / или аккумулятор от электроинструмента.** Эти меры безопасности снижают риск случайного запуска электроинструмента.

- **Храните неиспользуемые электроинструменты в недоступном для детей месте и не разрешайте лицам, которые не ознакомились с электроинструментом или этими инструкциями, использовать электроинструмент.** Электроинструменты опасны в руках неподготовленных пользователей.

- **Следите за состоянием электроинструмента.** Проверяйте осевое биение и надежность соединения подвижных деталей, а также любые неисправности, которые могут вывести

электроинструмент из строя. **Неисправный электроинструмент необходимо отремонтировать перед использованием.** Многие несчастные случаи возникают из-за плохого состояния электроинструмента.

- **Режущие инструменты должны содержаться в чистоте и быть хорошо заточенными.** Правильно установленные режущие инструменты с острыми режущими кромками уменьшают возможность заклинивания и облегчают управление электроинструментом.

- **Используйте электроинструмент, принадлежности, насадки и т.п. в соответствии с инструкциями, принимая во внимание условия работы и выполняемые работы.** Использование электроинструмента для операций, для которых он не предназначен, может привести к опасной ситуации.

- **Поддерживайте рукоятки и поверхности захвата сухими, чистыми и свободными от масла и смазки.** Скользкие рукоятки и поверхности захвата препятствуют безопасному обращению с электроинструментом и управлению им в неожиданных ситуациях.

- Обратите внимание, что при работе с электроинструментом необходимо правильно держать вспомогательную рукоятку; выполнение этого требования облегчает управление электроинструментом. Таким образом, правильное удержание электроинструмента может снизить риск несчастных случаев или травм.

Техническое обслуживание

- **Обслуживание Вашего электроинструмента должно производиться квалифицированными специалистами с использованием рекомендованных запасных частей.** Это дает гарантию, того что безопасность Вашего электроинструмента будет сохранена.

- Соблюдайте инструкции по смазке, а также рекомендации по замене аксессуаров.

Правила техники безопасности при эксплуатации электроинструмента

- Категорически запрещается проводить работы со снятыми фильтрующими устройствами - это приведет к поломке электроинструмента, и лишит вас права на гарантийный ремонт.

- Запрещается производить всасывание:

- вредных для здоровья веществ (например, древесной пыли дуба или бука, каменной пыли, асбеста и др.);

- горючих или взрывоопасных жидкостей (например, бензина, спирта, растворителей и др.);

- едких веществ или жидкостей (щелочей, кислот, каустической соды и др.);

- острых предметов (гвоздей, осколков стекла и др.);

- горячих или горящих углей (например, непотушенных или неостывших углей из камина или гриля), допускается всасывание мусора с температурой не выше 50°C.

- Не используйте электроинструменты в качестве насоса для воды.

- Запрещается использовать электроинструмент в атмосфере, содержащей взрывоопасные газы и испарения агрессивных веществ.

- Не закрывайте вентиляционные отверстия электроинструмента и не закрывайте плотно отверстие

всасывающего патрубка - это может привести к перегреву.

- Не подносите конец всасывающего шланга (при включенном электроинструменте) к телу, глазам или ушам - это может привести к травмам.

- Не используйте воздушный шланг в целях, для которых он не предназначен. Никогда не используйте воздушный шланг для переноски электроинструмента или подтягивания электроинструмента к себе. Оберегайте воздушный шланг от нагревания, острых кромок или движущихся частей других электроинструментов.

- При всасывании некоторых веществ возможно накопление статического заряда на деталях пылесоса, соблюдайте осторожность - разряд статического электричества может вызвать неприятные ощущения, привести к потере равновесия и падению.

- При работе в режиме выдувания воздуха убедитесь, что воздушный шланг чистый, при необходимости очистите его.

- При работе в режиме выдувания воздуха возможен выброс воздушным потоком мелких объектов на большой скорости, которые могут нанести травму работающему или окружающим людям. Необходимо использовать средства индивидуальной защиты (очки, защитная маска), а также соответствующим образом оборудовать рабочее место.

- Соблюдайте особую осторожность при проведении работ на ступеньках.

Символы, используемые в инструкции

В руководстве по эксплуатации используются нижеприведенные символы, запомните их значение. Правильная интерпретация символов поможет использовать электроинструмент правильно и безопасно.

Символ	Значение
	Наклейка с серийным номером: СТ ... - модель; XX - дата производства; XXXXXXX - серийный номер.
	Ознакомьтесь со всеми указаниями по технике безопасности и инструкциями.
	Носите защитные очки.
	Носите защитные наушники.
	Носите пылезащитную маску.

Символ	Значение
	Отключайте электроинструмент от сети перед проведением монтажных и регулировочных работ.
	Направление движения.
	Направление вращения.
	Заблокировано.
	Разблокировано.
	Двойная изоляция / класс безопасности.
	Запрещенное действие.
	Внимание. Важная информация.
	Знак, удостоверяющий, что изделие соответствует основным требованиям директив ЕС и гармонизированным стандартам Европейского Союза.
	Полезная информация.
	Не выбрасывайте электроинструмент в бытовой мусор.

Назначение электроинструмента

Универсальные пылесосы позволяют производить отсасывание не вредной для здоровья сухой пыли, мелкого мусора, а также производить отсасывание негорючих жидкостей. Подходят для подключения к электроинструментам, при работе которыми, образуются опилки, стружки или пыль.

Элементы устройства электроинструмента

- 1 Рукоятка
- 2 Включатель / выключатель

- 3 Верхняя часть пылесоса (в сборе)
- 4 Отверстие для подключения шланга (входное, для всасывания)
- 5 Держатель колес
- 6 Колесо
- 7 Отверстие для подключения шланга (выходное, для выдувания)
- 8 Вентиляционные отверстия
- 9 Защелка
- 10 Резервуар
- 11 Воздушный шланг *
- 12 Пластиковый патрубок *
- 13 Прямоугольная насадка *
- 14 Щелевая насадка *
- 15 Фильтр *
- 16 Гофрированный фильтр *
- 17 Бумажный пылесборный мешок *
- 18 Телескопический патрубок *
- 19 Винт
- 20 Фиксатор телескопического патрубка *
- 21 Поплавок
- 22 Пластиковый каркас
- 23 Патрубок для установки пылесборного мешка

* Принадлежности

Перечисленные, а также изображенные принадлежности, частично не входят в комплект поставки.

Монтаж и регулировка элементов электроинструмента

Перед проведением всех процедур электроинструмент обязательно отключить от сети.



Не затягивайте слишком сильно крепежные элементы, чтобы не повредить их резьбу.



Монтаж / демонтаж / настройка некоторых элементов аналогична для всех моделей электроинструментов, в этом случае на пояснительном рисунке конкретная модель не указывается.

Монтаж / демонтаж колес (см. рис. 1-2)

- Установите колеса **6** как показано на рисунке 1-2.
- Демонтаж производите в обратной последовательности.

Монтаж / демонтаж воздушного шланга и принадлежностей (см. рис. 3-4)

- Подключите воздушный шланг **11** к отверстию **4**, как показано на рис. 3-4. **Примечание: подключение воздушного шланга 11 к отверстию 7 производится аналогично.**
- Сборка элементов воздушной магистрали:
 - для **СТ42045** - вставьте патрубок (патрубки) **12** в воздушный шланг **11**, присоедините насадки **13** или **14**, как показано на рис. 3;
 - для **СТ42046** - присоедините телескопический патрубок **18** к воздушному шлангу **11**, подключите насадки **13** или **14**, как показано на рис. 4.2. Вы можете изменять длину телескопического патрубка **18**: переместите и удерживайте фиксатор **20**, как показано на рис. 4.1, выдвиньте более

тонкую часть телескопического патрубка 18, отпустите фиксатор 20.

- Демонтаж производите в обратной последовательности.

Подготовительные операции для работы в режиме всасывания сухого мусора (см. рис. 5-7, 10)

Данный режим работы рекомендуется использовать при всасывании сухого мусора.

Использование гофрированного фильтра (см. рис. 5-6, 10)

- Расстегните защелки 9 и снимите верхнюю часть пылесоса 3 (см. рис. 5).
- Установите в верхнюю часть пылесоса 3: пластиковый каркас 22 с установленным поплавком 21 и установите гофрированный фильтр 16 (см. рис. 6). **Внимание: устанавливайте пластиковый каркас 22 правильно - фиксаторы на пластикового каркаса 22 должны точно попасть в отверстия верхней части пылесоса 3 и защелкнуться, не допускайте перекосов при установке.**
- Установите верхнюю часть пылесоса 3 и зафиксируйте ее при помощи защелок 9.
- Соберите воздушную магистраль и присоедините воздушный шланг 11 к отверстию 4 (см. рис. 10).

Использование бумажного пылесборного мешка (см. рис. 5, 7, 10)

- Расстегните защелки 9 и снимите верхнюю часть пылесоса 3 (см. рис. 5).
- Если установлен фильтр 15 - снимите его и установите гофрированный фильтр 16 (см. рис. 7.1).
- Установите на патрубок 23 бумажный пылесборный мешок 17 (см. рис. 7.2). При установке бумажного пылесборного мешка 17 следите за тем, чтобы он был надет на патрубок 23 без перекосов. Картонный фланец бумажного пылесборного мешка 17 должен касаться стенки резервуара 10. После установки, аккуратно расправьте бумажный пылесборный мешок 17.
- Установите верхнюю часть пылесоса 3 и зафиксируйте ее при помощи защелок 9.
- Соберите воздушную магистраль и присоедините воздушный шланг 11 к отверстию 4 (см. рис. 10).
- **Внимание: при извлечении бумажного пылесборного мешка 17 соблюдайте осторожность, чтобы не повредить его. Запрещается опорожнять бумажный пылесборный мешок 17 и использовать его повторно. Бумажный пылесборный мешок 17 одноразовый, при заполнении - замените его.**

Подготовительные операции для работы в режиме всасывания жидкостей (см. рис. 5, 8, 10)

Данный режим работы рекомендуется использовать при всасывании жидкостей и мокрого мусора.

- Расстегните защелки 9 и снимите верхнюю часть пылесоса 3 (см. рис. 5).
- Установите в верхнюю часть пылесоса 3: пластиковый каркас 22 с установленным поплавком 21 и установите фильтр 15 (см. рис. 8). **Внимание: правильно установите поплавок 21 в пластиковый каркас 22 (см. рис. 8.2) - неправильная установка поплавка 21 может также служить причиной попадания жидкости в двигатель электроинстру-**

мента. Проверьте подвижность поплавка 21. Поплавок 21 должен иметь возможность свободно перемещаться вверх и вниз, в противном случае всасываемая жидкость может попасть в двигатель и вывести его из строя. Устанавливайте пластиковый каркас 22 правильно - фиксаторы на пластикового каркаса 22 должны точно попасть в отверстия верхней части пылесоса 3 и защелкнуться, не допускайте перекосов при установке.

- Установите верхнюю часть пылесоса 3 и зафиксируйте ее при помощи защелок 9.
- Соберите воздушную магистраль и присоедините воздушный шланг 11 к отверстию 4 (см. рис. 10).

Подготовка к работе в режиме выдувания воздуха (см. рис. 5, 7, 11)

- Расстегните защелки 9 и снимите верхнюю часть пылесоса 3 (см. рис. 5).
- Если установлен фильтр 15 - снимите его и установите гофрированный фильтр 16 (см. рис. 7.1).
- Опорожните резервуар 10, если установлен бумажный пылесборный мешок 17 - снимите его, при необходимости прочистите воздушный шланг 11. В противном случае электроинструмент может выдувать пыль, опилки и т.д.
- Установите верхнюю часть пылесоса 3 и зафиксируйте ее при помощи защелок 9.
- Соберите воздушную магистраль и присоедините воздушный шланг 11 к отверстию 7 (см. рис. 11).

Ввод в эксплуатацию электроинструмента

Убедитесь в том, что имеющееся напряжение в сети соответствует данным, указанным на приборном щитке электроинструмента.

Включение / выключение электроинструмента

Включение:

Установите выключатель / выключатель 2 в положение ON "I" (см. рис. 9.1).

Выключение:

Установите выключатель / выключатель 2 в положение OFF "0" (см. рис. 9.2).

Конструктивные особенности электроинструмента

Функция выдувания воздуха (см. рис. 11)

Позволяет производить уборку методом сдувания загрязнений потоком воздуха, в местах, где всасывание затруднено или невозможно (продувка сложной оргтехники, уборка листьев на гравийной дорожке и др.). Присоедините воздушный шланг 11 к отверстию 7 (см. рис. 11).

Система защиты от переполнения

Система защиты от переполнения автоматически отключает пылесос, если резервуар 10 полностью заполнен жидкостью, это предотвращает попадание жидкости внутрь двигателя электроинструмента.

Русский

Рекомендации при работе электроинструментом



Выполните подготовительные и сборочные операции описанные выше, в зависимости от вида выполняемых работ.

- Выберите насадку в зависимости от вида выполняемых работ и от площади обрабатываемой поверхности.
- Если вы собираетесь использовать пылесос для всасывания, присоедините воздушный шланг **11** к отверстию **4** (см. рис. 10). **Примечание: если вы планируете использовать пылесос, как систему пылеотсоса для другого электроинструмента - подключите воздушный шланг 11 к этому электроинструменту при помощи подходящего переходника.**
- Если вы собираетесь использовать пылесос для выдувания, присоедините воздушный шланг **11** к отверстию **7** (см. рис. 11). Внимание: опорожните резервуар **10**, если установлен бумажный пылесборный мешок **17** - снимите его, при необходимости прочистите воздушный шланг **11**. В противном случае электроинструмент может выдувать пыль, опилки и т.д.
- Подключите электроинструмент к сети и включите его.
- Выполняйте всасывание пыли или жидкости, сдувание сухого мусора, либо работайте другим электроинструментом, который вы подключили к пылесосу.
- Если в процессе работы наблюдается снижение производительности, попробуйте выполнить следующие действия:
 - проверьте всасывающую магистраль, при обнаружении засорений - устраните их;
 - проверьте гофрированный фильтр **16**, очистите его, если он загрязнен;
 - проверьте заполнение бумажного пылесборного мешка **17**, при заполнении - замените его.
- После окончания работы, отключите электроинструмент.
- Если вы работали в режиме всасывания жидкости, то после окончания работы слейте жидкость из резервуара **10**, промойте и просушите резервуар **10** и фильтр **15**.

Обслуживание / профилактика электроинструмента

Перед проведением всех процедур электроинструмент обязательно отключить от сети.

Очистка гофрированного фильтра (см. рис. 12)

- Снимите гофрированный фильтр **16**, как описано выше.
- Очистите гофрированный фильтр **16** при помощи мягкой щетки, а затем продуйте сжатым воздухом (см. рис. 12). **Внимание: продувку выполняйте только изнутри гофрированного фильтра 16 (см. рис. 12).**

- Установите гофрированный фильтр **16**, как описано выше.
- Если гофрированный фильтр **16** имеет повреждения или сильные загрязнения (его невозможно очистить вышеперечисленными способами) - замените его.

Очистка фильтра

- Снимите фильтр **15**, как описано выше.
- Аккуратно промойте фильтр **15** в теплой мыльной воде, после чего тщательно высушите.
- Установите фильтр **15**, как описано выше.
- Если фильтр **15** имеет повреждения или сильные загрязнения (его невозможно вымыть) - замените его.

Чистка электроинструмента

Обязательным условием для долгосрочной и безопасной эксплуатации электроинструмента является содержание его в чистоте. Регулярно продувайте электроинструмент сжатым воздухом через вентиляционные отверстия **8**.

Послепродажное обслуживание

Ответы на вопросы по ремонту и обслуживанию вашего продукта вы можете получить в сервисных центрах. Информацию о сервисных центрах, схемы запчастей и информацию по запчастям Вы можете найти по адресу: www.crown-tools.com.

Транспортировка электроинструментов

- Перемещайте электроинструмент только за рукоятку **1**, либо переносите поддерживая его снизу. Запрещается перемещать электроинструмент за другие части (подтягивать его за воздушный шланг **11** или токоведущий кабель и т.п.).
- Не допускайте падения упаковки, а также любые механические воздействия на нее при транспортировке.
- При погрузке / разгрузке не используйте погрузочную технику, работающую по принципу зажима упаковки.

Защита окружающей среды



Вторичное использование сырья вместо устранения мусора.

Электроинструмент, дополнительные принадлежности и упаковку следует экологически чисто утилизировать.

В интересах чистосортной рециркуляции отходов детали из синтетических материалов соответственно обозначены.

Настоящее руководство по эксплуатации напечатано на бумаге, изготовленной из вторсырья без применения хлора.

Оговаривается возможность внесения изменений.

Русский

28

Технічні характеристики електроінструменту

Універсальний пилосос		СТ42045	СТ42046
Код електроінструмента	[220-240 В ~50 / 60 Гц]	244978	244985
Номинальна потужність	[Вт]	1000	1000
Сила току при нарузі	220-240 В [А]	4.3	4.3
Розрідження	[кПа]	>16	>16
Повітряний потік	[м³/хв]	1,7	1,7
Ємність	[л]	15	20
Вага	[кг] [фунти]	4,6 10.14	5,4 11.91
Клас захисту		□ / II / IPX4	□ / II / IPX4
Рівень шуму	[дБ(А)]	78	78
Акустична потужність	[дБ(А)]	—	—

Інформація про шум



Завжди використовуйте звукоізоляційні навушники при рівні шуму понад 85 дБ(А).

CE Відповідності необхідним нормам

Ми заявляємо під нашу одноособову відповідальність, що описаний у розділі "Технічні характеристики електроінструменту" продукт відповідає усім відповідним положенням Директив 2014/30/EU, 2014/35/EU, включаючи їх зміни, а також наступним нормам:

EN 55014-1:2017,
EN 55014-2:2015,
EN IEC 61000-3-2:2019,
EN 61000-3-3:2013+A1:2019,
EN 62233:2008,
EN 60335-1:2012+A11:2014+A13:2017+A1:2019+A2:2019+A14:2019,
EN 60335-2-2:2010+A11:2012+A1:2003.

Менеджер із сертифікації

Wu Cunzhen

Merit Link International AG
Stabio, Швейцарія, 28.01.2021



ПОПЕРЕДЖЕННЯ - Щоб знизити ризик отримання травм, користувач повинен ознайомитися з керівництвом по експлуатації!

Загальні правила техніки безпеки



ПОПЕРЕДЖЕННЯ! Прочитайте всі попередження з техніки безпеки та інструкції. Недотримання попереджень та інструкцій може призвести до ураження електричним струмом, займання і / або серйозних травм.

Збережіть всі попередження та інструкції для подальшого використання.

Термін "електроінструмент", який використовується в тексті попереджень, відноситься до електроінструменту з живленням від електромережі (провідний) або електроінструменту з живленням від акумулятора (бездротовий).

Безпека робочого місця

- **Робоче місце повинно бути чистим і добре освітленим.** У захаращених або темних місцях вірогідні нещасні випадки.
- **Не використовуйте електроінструменти у вибухонебезпечних середовищах, наприклад, в присутності легкозаймистих рідин, газів або пилу.** Електроінструменти створюють іскри, які можуть призвести до займання пилу або парів.
- **Під час роботи електроінструмента не допускайте присутності дітей та інших осіб.** Відволікання уваги може призвести до втрати контролю.

Рекомендації з електробезпеки

- **Вилки електроінструменту повинні підходити до розетки. Ніколи не вносьте зміни в конструкцію вилки. Не використовуйте адаптери з заземленими електроінструментами.** Вилки оригінальної конструкції і відповідні розетки зменшують ризик ураження електричним струмом.

Українська

- Уникайте контакту з заземленими поверхнями, такими як труби, радіатори, плити та холодильники. Це підвищує ризик ураження електричним струмом.
- Не піддавайте електроінструмент впливу дощової води або вологи. Попадання води в середину електроінструмента підвищує ризик ураження електричним струмом.
- Не використовуйте електричний кабель в цілях, для яких він не призначений. Ніколи не використовуйте кабель для перенесення електроінструменту, підтягання електроінструменту до себе або для вимкнення електроінструменту ривком за електричний кабель. Оберегайте електричний кабель від нагрівання, нафтопродуктів, гострих крайок або рухомих частин електроінструменту. Пошкоджений або спутаний електричний кабель збільшує небезпеку поразки електричним струмом.
- При роботах на відкритому повітрі, використовуйте подовжувальні кабелі, призначені для зовнішніх робіт, це знизить небезпеку ураження електричним струмом.
- Якщо не можна уникнути роботи електроінструмента на ділянці з підвищеною вологістю, використовуйте пристрій захисного відключення (УЗО). Використання УЗО знижує ризик ураження електричним струмом. ПРИМІТКА! Термін "УЗО (RCD)" може бути замінений терміном "пристрій захисного відключення (GFCI)" або "автоматичний вимикач з функцією захисту від струму витоку (ELCB)".
- Увага! Ніколи не торкайтеся до відкритих металевих поверхонь редуктора, захисного кожуха і т.д., оскільки на металеві поверхні впливають електромагнітні хвилі і торкання до них може призвести до травми або нещасного випадку.

Рекомендації з особистої безпеки

- Будьте пильними, стежте за тим, що ви робите, і при роботі з електроінструментом керуйтеся здоровим глуздом. Не використовуйте електроінструмент, якщо ви втомилися або перебуваєте під впливом наркотичних засобів, алкоголю або ліків. Ослаблення уваги при роботі з електроінструментом може призвести до серйозної травми.
- Використовуйте засоби індивідуального захисту. Завжди надівайте захисні окуляри. Засоби індивідуального захисту, такі як пилозахисна маска, нековзне захисне взуття, каска або засоби захисту органів слуху, які використовуються у відповідних умовах, зменшують ймовірність отримання травм.
- Не допускайте ненавмисного запуску електроінструменту. Перед підключенням до джерела живлення та / або акумулятора, підняттям або перенесенням електроінструменту переконайтеся, що вмикач / вимикач знаходиться у вимкненому стані. Переміщення електроінструменту, коли палець знаходиться на вмикачі / вимикачі, або ввімкнення живлення електроінструментів з включеним вмикачем / вимикачем може стати причиною нещасного випадку.
- Перед ввімкненням необхідно прибрати з частин електроінструменту, що обертаються, всі додаткові ключі і пристосування. Ключ, залишений в частині електроінструменту, що обертається, може бути причиною серйозних травм.
- Не докладайте надмірних зусиль. Завжди зберігайте стійке положення і рівновагу. Це до-

зволяє краще контролювати електроінструмент у непередбачуваних ситуаціях.

- Носіть відповідний одяг. Не вдягайте вільний одяг або прикраси. Тримайте волосся, одяг і рукавиці далеко від рухомих деталей. Вільний одяг, прикраси або довге волосся можуть бути захоплені рухомими частинами електроінструменту, що стане причиною серйозних травм.
- Якщо в конструкції електроінструменту передбачена можливість для підключення пиловловлюючих і пилозбірних пристроїв, переконайтеся, що вони підключені і правильно використовуються. Використання таких пристроїв зменшує небезпеку, пов'язані з накопиченням пилу.
- Завжди будьте уважні, не ігноруйте принципи безпечної роботи з електроінструментом через знання і досвід, отримані внаслідок частого користування електроінструментом. Необережна дія може негайно призвести до серйозних травм.
- Увага! Електроінструмент створює під час роботи електромагнітне поле. За деяких обставин, це поле може чинити негативний вплив на активні або пасивні медичні імплантати. Щоб зменшити ризик заподіяння серйозної шкоди здоров'ю або травми з летальним наслідком, людям з медичними імплантатами, перед початком експлуатації електроінструмента, рекомендується проконсультуватися з лікарем і виробником медичного імплантату.

Використовування і обслуговування електроінструмента

- Люди з недостатніми психофізичними або розумовими здібностями і діти не можуть управляти електроінструментом, якщо людина, яка відповідає за їх безпеку, не контролює їх чи не інструктує щодо використання електроінструменту.
- Не перевантажуйте електроінструмент. Використовуйте електроінструмент, який відповідає вашій цілі використання. Відповідний електроінструмент буде працювати краще і безпечніше з тією продуктивністю, для якої він був спроектований.
- Не працюйте електроінструментом з несправним вмикачем / вимикачем. Електроінструмент, ввімкнення / вимкнення якого не може контролюватися, становить небезпеку і повинен бути негайно відремонтований.
- Перед виконанням будь-яких налаштувань, заміною приладдя або зберіганням електроінструментів - від'єднайте вилку від джерела живлення і / або акумулятор від електроінструменту. Ці заходи безпеки знижують ризик випадкового запуску електроінструмента.
- Зберігайте невикористовуванні електроінструменти в недоступному для дітей місці і не дозволяйте особам, які не ознайомилися з електроінструментом або цими інструкціями, використовувати електроінструмент. Електроінструменти небезпечні в руках невідготовлених користувачів.
- Слідкуйте за станом електроінструменту. Перевіряйте осьове биття і надійність з'єднання рухомих деталей, а також будь-які несправності, які можуть вивести електроінструмент з ладу. Несправний електроінструмент необхідно відремонтувати перед використанням. Багато нещасних випадків виникають через поганий стан електроінструменту.
- Ріжучі інструменти повинні знаходитися в чистоті і бути добре заточеними. Правильно встановлені ріжучі інструменти з гострими ріжучими

кромками зменшують можливість заклинювання і полегшують управління електроінструментом.

• **Використовуйте електроінструмент, приладдя, насадки і т.п. відповідно до інструкцій, беручи до уваги умови роботи і виконувати роботи.** Використання електроінструмента для операцій, для яких він не призначений, може призвести до небезпечної ситуації.

• **Підтримуйте рукоятки і поверхні захоплення сухими, чистими і вільними від масла і мастила.** Слизькі рукоятки і поверхні захоплення перешкоджають безпечному поводженню з електроінструментом і управління ним в несподіваних ситуаціях.

• Зверніть увагу, що при роботі з електроінструментом необхідно правильно тримати допоміжну рукоятку; виконання цієї вимоги полегшує управління електроінструментом. Таким чином, правильне утримання електроінструменту може знизити ризик нещасних випадків або травм.

Технічне обслуговування

• **Обслуговувати Ваш електроінструмент повинні кваліфіковані фахівці з використанням рекомендованих запасних частин.** Це дає гарантію, що безпека Вашого електроінструменту буде збережена.

• Дотримуйтесь інструкції по змащуванню, а також рекомендації по заміні аксесуарів.

Правила техніки безпеки при експлуатації електроінструмента

• Категорично забороняється проводити роботи з вийнятими фільтруючими елементами - це призведе до поломки електроприладу, і позбавить вас права на гарантійний ремонт.

• Забороняється робити всмоктування:
• шкідливих для здоров'я речовин (наприклад, деревного пилу дуба чи бука, кам'яного пилу, азбесту та ін.);

• горючих або вибухонебезпечних рідин (наприклад, бензину, спирту, розчинників та ін.);
• їдких речовин або рідин (лугів, кислот, каустичної соди та ін.);

• гострих предметів (цвяхів, осколків скла та ін.);
• гарячих чи палаючих вуглин (наприклад, не загашених чи неохолоджених вуглин із каміну або грилю), дозволяється всмоктування сміття з температурою не вище 50°C.

• Не використовуйте електроінструменти в якості насоса для води.

• Забороняється використовувати електроприлад в атмосфері, яка містить вибухонебезпечні гази і випари агресивних речовин.

• Не зачиняйте вентиляційні отвори електроприладу і не зачиняйте щільно отвір всмоктуючого патрубку - це може призвести до перегріву.

• Не підносьте кінець всмоктувального шлангу (при ввімкненому електроінструменті) до тіла, очей або вух - це може призвести до травм.

• Не використовуйте повітряний шланг в цілях, для яких він не призначений. Ніколи не використовуйте повітряний шланг для перенесення електроінструмента або підтягування електроінструмента до себе. Оберегайте повітряний шланг від нагрівання, гострих кромки або рухомих частин інших електроінструментів.

• При всмоктуванні деяких речовин можливе накопичення статистичного заряду на деталях пилюсу, будьте обережні - розряд статистичної електрики може викликати неприємні відчуття, призвести до втрати рівноваги і падіння.

• При роботі в режимі видування повітря переконайтесь, що повітряний шланг чистий, при необхідності очистіть його.









• При роботі в режимі видування повітря можливий викид повітряним потоком дрібних об'єктів на великій швидкості, які можуть завдати травму працюючому або оточуючим людям. Необхідно використовувати засоби індивідуального захисту (окуляри, захисна маска), а також відповідним чином обладнати робоче місце.

• Дотримуйтесь особливої обережності під час проведення робіт на сходах.

Символи, що використовуються в інструкції

В інструкції використовуються нижченаведені символи, запам'ятайте їх значення. Правильна інтерпретація символів допоможе використовувати електроінструмент правильно і безпечно.

Символ	Значення
	Наклейка з серійним номером: СТ ... - модель; XX - дата виробництва; XXXXXXX - серійний номер.
	Ознайомтесь з усіма вказівками з техніки безпеки та інструкціями.
	Носіть захисні окуляри.
	Носіть захисні навушники.
	Носіть пилозахисну маску.
	Відключайте прилад від мережі перед проведенням монтажних і регулювальних робіт.
	Напрямок руху.
	Напрямок обертання.

Символ	Значення
	Заблоковано.
	Розблоковано.
 / II / IPX4	Подвійна ізоляція / клас захисту.
	Заборонена дія.
	Увага. Важлива інформація.
	Знак, який засвідчує, що виріб відповідає основним вимогам директив ЄС та гармонізованим стандартам Європейського Союзу.
	Корисна інформація.
	Не викидайте електроінструмент в побутове сміття.

Призначення електроінструменту

Універсальні пирососи дозволяють виконувати відсмоктування не шкідливого для здоров'я сухого пилу, дрібного сміття, а також виконувати відсмоктування негорючих рідин. Підходять для підключення до електроінструментів, під час роботи яких, утворюються тирса, стружка або пил.

Елементи пристрою електроінструменту

- 1 Руків'я
- 2 Вмикач / вимикач
- 3 Верхня частина пирососу (в зборі)
- 4 Отвір для підключення шлангу (вхідний, для всмоктування)
- 5 Тримач коліс
- 6 Колесо
- 7 Отвір для підключення шлангу (вихідний, для видування)
- 8 Вентиляційні отвори
- 9 Защіпка
- 10 Резервуар
- 11 Повітряний шланг *
- 12 Пластиковий патрубок *
- 13 Прямокутна насадка *
- 14 Щілинна насадка *
- 15 Фільтр *

- 16 Гофрований фільтр *
- 17 Паперовий мішок для збору пилу *
- 18 Телескопічний патрубок *
- 19 Гвинт
- 20 Фіксатор телескопічного патрубку *
- 21 Поплавок
- 22 Пластиковий каркас
- 23 Патрубок для встановлення мішка для збору пилу

* Приналежності

Перераховані, а також зображені принадлежности, частково не входять у комплект постачання.

Монтаж та регулювання елементів електроінструменту

Перед проведенням усіх процедур електроінструмент обов'язково відключити від мережі.



Не затягуйте дуже сильно кріпильні елементи, щоб не пошкодити їх різьблення.



Монтаж / демонтаж / налаштування деяких елементів аналогічне для усіх моделей електроінструментів, в цьому випадку на малюнку пояснення конкретна модель не вказується.

Монтаж / демонтаж колес (див. мал. 1-2)

- Встановіть колеса **6** як показано на малюнках 1-2.
- Демонтаж робіть у зворотній послідовності.

Монтаж / демонтаж повітряного шлангу і приладдя (див. мал. 3-4)

- Підключіть повітряний шланг **11** до отвору **4**, як зображено на мал. 3-4. **Примітка: підключення повітряного шлангу 11 до отвору 7 виконується аналогічним способом.**
- Збірка елементів повітряної магістралі:
 - для **СТ42045** - вставте патрубок (патрубки) **12** в повітряний шланг **11**, приєднайте насадки **13** або **14**, як зображено на мал. 3;
 - для **СТ42046** - приєднайте телескопічний патрубок **18** до повітряного шлангу **11**, підключіть насадки **13** або **14**, як зображено на мал. 4.2. Ви можете змінювати довжину телескопічного патрубку **18**: перемістіть і утримуйте фіксатор **20**, як зображено на мал. 4.1, висуňte більш тонку частину телескопічного патрубку **18**, відпустіть фіксатор **20**.
- Демонтаж робіть у зворотній послідовності.

Підготовчі операції для роботи в режимі всмоктування сухого сміття (див. мал. 5-7, 10)

Даний режим роботи рекомендується використовувати при всмоктуванні сухого сміття.

Використання гофрованого фільтру (див. мал. 5-6, 10)

- Розстібніть защіпки **9** і зніміть верхню частину пирососу **3** (див. мал. 5).

- Встановіть у верхню частину пилососа **3**: пластиковий каркас **22** із встановленим поплавком **21** і встановіть гофрований фільтр **16** (див. мал.6). **Увага: встановлюйте пластиковий каркас 22 правильно - фіксатори на пластиковому каркасі 22 повинні точно потрапити в отвори верхньої частини пилососа 3 і замкнутися, не допускайте перекосів під час встановлення.**
- Встановіть верхню частину пилососу **3** і зафіксуйте її за допомогою защіпок **9**.
- Зберіть повітряну магістраль і приєднайте повітряний шланг **11** до отвору **4** (див. мал. 10).

Використання паперового пилососного мішка (див. мал. 5, 7, 10)

- Розстібніть защіпки **9** і зніміть верхню частину пилососу **3** (див. мал. 5).
- Якщо встановлено фільтр **15** - зніміть його і встановіть гофрований фільтр **16** (див. мал. 7.1).
- Встановіть на патрубок **23** паперовий мішок для збору пилу **17** (див. мал. 7.2). При встановленні паперового мішка для збору пилу **17** слідкуйте за тим, щоб він був надітий на патрубок **23** без перекосів. Картонний фланець паперового пилососного мішка **17** має торкатися стінки резервуара **10**. Після встановлення, обережно розправте паперовий мішок для збору пилу **17**.
- Встановіть верхню частину пилососу **3** і зафіксуйте її за допомогою защіпок **9**.
- Зберіть повітряну магістраль і приєднайте повітряний шланг **11** до отвору **4** (див. мал. 10).
- **Увага: при вилученні паперового мішка для збору пилу 17 будьте обережні, щоб не пошкодити його. Забороняється випорожнювати паперовий мішок для збору пилу 17 і використовувати його повторно. Паперовий мішок для збору пилу 17 одноразовий, при заповненні - замініть його.**

Підготовчі операції для роботи в режимі всмоктування рідин (див. мал. 5, 8, 10)

Даний режим роботи рекомендується використовувати при всмоктуванні рідин і мокрої сміття.

- Розстібніть защіпки **9** і зніміть верхню частину пилососу **3** (див. мал. 5).
- Встановіть у верхню частину пилососа **3**: пластиковий каркас **22** із встановленим поплавком **21** і встановіть фільтр **15** (див. мал. 8). **Увага: правильно встановіть поплавок 21 в пластиковий каркас 22 (див. мал. 8.2) - неправильно встановлений поплавок 21 може також стати причиною потрапляння рідини в двигун електроінструменту. Перевірте рухливість поплавка 21. Поплавок 21 повинен мати простір для безперешкодного пересування вгору і вниз, в іншому випадку рідина, яка всмоктується, може потрапити в двигун і вивести його з ладу. Встановлюйте пластиковий каркас 22 правильно - фіксатори на пластиковому каркасі 22 повинні точно потрапити в отвори верхньої частини пилососа 3 і замкнутися, не допускайте перекосів під час встановлення.**
- Встановіть верхню частину пилососу **3** і зафіксуйте її за допомогою защіпок **9**.
- Зберіть повітряну магістраль і приєднайте повітряний шланг **11** до отвору **4** (див. мал. 10).

Підготовка до роботи в режимі видування повітря (див. мал. 5, 7, 11)

- Розстібніть защіпки **9** і зніміть верхню частину пилососу **3** (див. мал. 5).
- Якщо встановлено фільтр **15** - зніміть його і встановіть гофрований фільтр **16** (див. мал. 7.1).
- Злийте рідину з резервуару **10**, якщо встановлено паперовий пилососний мішок **17** - зніміть його, при необхідності прочистіть повітряний шланг **11**. В іншому випадку електроінструмент може видувати пил, тирсу і т. д.
- Встановіть верхню частину пилососу **3** і зафіксуйте її за допомогою защіпок **9**.
- Зберіть повітряну магістраль і приєднайте повітряний шланг **11** до отвору **7** (див. мал. 11).

Введення у експлуатацію електроінструмента

Переконаєтеся в тому, що наявна напруга в мережі відповідає даним, зазначеним на приладовому щитку електроінструмента.

Вмикання / вимикання електроінструмента

Уключити:

Встановіть вмикач / вимикач **2** в положення **ON "I"** (див. мал. 9.1).

Виключити:

Встановіть вмикач / вимикач **2** в положення **OFF "0"** (див. мал. 9.2).

Конструктивні особливості електроінструменту

Функція видування повітря (див. мал. 11)

Дозволяє виконувати прибирання методом здування забруднень потоком повітря, в місцях, де всмоктування ускладнене або неможливе (продування складної оргтехніки, прибирання листя на гравійній доріжці та ін.). Приєднайте повітряний шланг **11** до отвору **7** (див. мал. 11).

Система захисту від переповнення

Система захисту від переповнення автоматично відключає пилосос, якщо резервуар **10** повністю заповнюється рідиною, що запобігає потраплянню рідини всередину двигуна електроінструменту.

Рекомендації при роботі електроінструментом



Виконайте підготовчі та складальні операції, які описані вище, в залежності від виду робіт, що виконуються.

- Виберіть насадку в залежності від виду виконуваних робіт і від площі оброблюваної поверхні.
- Якщо ви збираєтеся використовувати пилосос для всмоктування, приєднайте повітряний шланг **11**

до отвору 4 (див. мал. 10). **Примітка: якщо ви плануєте використовувати пилосос, як систему пиловідсмоктування для іншого електроінструмента - підключіть повітряний шланг 11 до цього електроінструмента за допомогою відповідного перехідника.**

- Якщо ви збираєтеся використовувати пилосос для видування, приєднайте повітряний шланг 11 до отвору 7 (див. мал. 11). Увага: злийте рідину з резервуару 10, у разі якщо встановлено паперовий пилозбірний мішок 17 - зніміть його, при необхідності прочистіть повітряний шланг 11. В іншому випадку електроінструмент може видувати пил, тирсу і т. д.
- Підключіть електроприлад до мережі та ввімкніть його.
- Виконуйте всмоктування пилу або рідини, здування сухого сміття, або працюйте іншим електроінструментом, який ви підключили до пилососу.
- Якщо під час роботи спостерігається зниження продуктивності, спробуйте виконати наступні дії:
 - перевірте всмоктуючу магістраль, при виявленні засмічення - усуньте його;
 - перевірте гофрований фільтр 16, очистіть його, якщо він забруднений;
 - перевірте заповнення паперового мішка для збору пилу 17, при заповненні - замініть його.
- Після закінчення роботи, відключіть електроприлад.
- Якщо ви працювали в режимі всмоктування рідин, після завершення роботи злийте рідину із резервуару 10, промийте і просушіть резервуар 10 і фільтр 15.

Обслуговування / профілактика електроінструмента

Перед проведенням усіх процедур електроінструмент обов'язково відключити від мережі.

Очищення гофрованого фільтру (див. мал. 12)

- Зніміть гофрований фільтр 16, як описано вище.
- Очистіть гофрований фільтр 16 за допомогою м'якої щітки, а потім продуйте стисненим повітрям (див. мал. 12). **Увага: виконуйте продування тільки з середини гофрованого фільтру 16 (див. мал. 12).**
- Встановіть гофрований фільтр 16, як описано вище.
- Якщо на гофрованому фільтрі 16 є пошкодження або сильні забруднення (його неможливо очистити вищепереліченими способами), замініть його.

Очищення фільтра

- Зніміть фільтр 15, як описано вище.
- Обережно промийте фільтр 15 в теплій мильній воді, після чого старанно висушіть.
- Установіть фільтр 15, як описано вище.
- Якщо фільтр 15 має ушкодження або сильне забруднення (його неможливо вимити) - замініть його.

Чищення електроінструменту

Обов'язковою умовою для довгострокової і безпечної експлуатації електроінструменту є вміст його в чистоті. Регулярно продувайте електроінструмент стислим повітрям через вентиляційні отвори 8.

Післяпродажне обслуговування

Відповіді на питання щодо ремонту та обслуговування вашого продукту Ви можете отримати в сервісних центрах. Інформацію про сервісні центри, схеми запчастин та інформацію по запчастинах Ви можете знайти за адресою: www.crown-tools.com.

Транспортування електроінструменту

- Переміщуйте електроінструмент, тримаючи його тільки за рукоятку 1 або підтримуючи його знизу. Забороняється переміщувати електроінструмент, тримаючи його за інші частини (тягнути за повітряний шланг 11 або струмоведучий кабель і т.п.).
- Не допускайте падіння упаковки, а також будь-якого механічного впливу на неї транспортуванні.
- При завантаженні / розвантаженні не використовуйте навантажувальну техніку що працює за принципом затиску упаковки.

Захист навколишнього середовища



Переробка сировини замість утилізації відходів.

Електроінструмент, додаткові приналежності й упакування варто екологічно чисто утилізувати.

В інтересах чистосортної рециркуляції відходів деталі із синтетичних матеріалів відповідно позначені. Дійсний посібник з експлуатації надрукований на папері, виготовленій з вторсировини без застосування хлору.

Обновляється можливість внесення змін.

Українська

Қозғалтқыш құралдың сипаттамалары

Әмбебап шаңсорғыш		СТ42045	СТ42046
Қозғалтқыш құралдың коды	[220-240 В ~50 / 60 Гц]	244978	244985
Номиналды қуаты	[Вт]	1000	1000
Электр тогы кернеуі	220-240 В [А]	4.3	4.3
Сиретілу	[кПа]	>16	>16
Ауа ағынының жылдамдығы	[м³/мин]	1,7	1,7
Сыйымдылығы	[л]	15	20
Салмағы	[кг] [фунт]	4,6 10.14	5,4 11.91
Қауіпсіздік класы		□ / II / IPX4	□ / II / IPX4
Дыбыс қысымы	[дБ(А)]	78	78
Акустикалық күші	[дБ(А)]	—	—

Шу туралы ақпарат



Дыбыс қысымы осетін болса, әрдайым құлақ қорғаушысын киіңіз 85 дБ(А).

CE Сәйкестік жөнінде мәлімдеме

Жеке жауапкершілікпен біз "Қозғалтқыш құралдың сипаттамалары" де сипатталған өнімнің 2014/30/EU, 2014/35/EU ережелеріндегі барлық тиісті анықтамаларына өзгерістері менен бірге сәйкес екенін және төмендегі нормаларға сай екенін кепілдендіреміз:
EN 55014-1:2017,
EN 55014-2:2015,
EN IEC 61000-3-2:2019,
EN 61000-3-3:2013+A1:2019,
EN 62233:2008,
EN 60335-1:2012+A11:2014+A13:2017+A1:2019+A2:2019+A14:2019,
EN 60335-2-2:2010+A11:2012+A1:2003.

Сертификаттау менеджері

Wu Cunzhen

Merit Link International AG
Stabio, Швейцария, 28.01.2021



ЕСКЕРТУ - Жарақат қаупін азайту үшін пайдаланушы пайдалану нұсқаулығын оқып шығуы керек!

Жалпы қауіпсіздік ережелері



ЕСКЕРТУ! Барлық қауіпсіздік туралы ескертулерді және барлық нұсқауларды оқып шығыңыз. Ескертулер мен нұсқауларды орындамау тоқ соғуына, өртке және / немесе ауыр жарақатқа әкелуі мүмкін.

Барлық ескертулер мен нұсқауларды болашақта анықтама алу үшін сақтап қойыңыз. Ескертулердегі "электр құрал" термині желіден жұмыс істейтін (сымды) электр құралын немесе батареядан жұмыс істейтін (сымсыз) электр құралын білдіреді.

Жұмыс аумағының қауіпсіздігі

- Жұмыс аумағын таза және жақсы жарықтандырылған күйде ұстаңыз. Ретсіз немесе күңгірт аумақтар сәтсіз жағдайларға әкеледі.
- Электр құралдарды жарылғыш атмосфераларда пайдаланбаңыз, мысалы, тұтанғыш сұйықтықтар, газдар немесе шаң бар жерде. Электр құралдар шаңды немесе түтіндерді тұтандыруы мүмкін ұшқындарды тудырады.
- Электр құралды пайдалану кезінде балаларды және маңайдағы адамдарды аулақ ұстаңыз. Алаңдату басқаруды жоғалтуға әкелуі мүмкін.

Электр қауіпсіздігі

- Электр құралдардың ашалары розеткаға сәйкес болуы керек. Ашаны ешқашан ешбір түрде өзгертуге болмайды. Жерге қосылған электр құралдарымен бірге ешбір адаптер ашасын пайдалануға болмайды. Өзгертілмеген

Қазақ тілі

ашалар және сәйкес розеткалар тоқ соғу қаупін азайтады.

- **Құбырлар, жылытқыштар, ауқымдар және тоңазытқыштар сияқты жерге қосылған беттерге дененің тиюін болдырмаңыз.** Дененің жерге қосылған болса, тоқ соғу қаупі артады.
- **Электр құралдарына жаңбырдың немесе ылғалды жағдайлардың әсерін тигізбеңіз.** Электр құралға кіретін су тоқ соғу қаупін арттырады.
- **Сымды дұрыс емес пайдалануға болмайды.** Сымды электр құралды ұстап жүру, тарту немесе розеткадан ажырату үшін ешқашан пайдаланбаңыз. Сымды жылудан, майдан, үшкір жиектерден немесе қозғалатын бөліктерден аулақ ұстаңыз. Зақымдалған немесе шатасқан сымдар тоқ соғу қаупін арттырады.
- **Электр құралды сыртта пайдаланғанда сыртта пайдалануға жарамды ұзартқыш сымды пайдаланыңыз.** Сыртта пайдалануға жарамды сымды пайдалану тоқ соғу қаупін азайтады.
- **Электр құралды ылғалды орында пайдалану керек болса, қалдық тоқтан қорғау құралын пайдаланып қуат бөріңіз.** Қалдық тоқтан қорғау құралын пайдалану тоқ соғу қаупін азайтады. ЕСКЕРТПЕ! "Қалдық тоқтан қорғау құралы (RCD)" термині "жерге қысқа тұйықталу өшіргіші (GFCI)" немесе "жерге аққан кездегі тізбек ажыратқышы (ELCB)" терминімен ауыстырылуы мүмкін.
- **Ескерту!** Редуктордағы, қалқандағы және т.с.с. ашық металл беттерге ешқашан тиемеңіз, өйткені металл беттерге тию электромагниттік толқындарға кедергі келтіріп, осылайша жарақаттарға немесе сәтсіз жағдайларға әкелуі мүмкін.

Жеке қауіпсіздік

- **Электр құралды пайдаланып жатқанда қырағы болыңыз, істеп жатқаныңызды қадағалаңыз және дұрыс ақылды пайдаланыңыз.** Электр құралды шаршап тұрғанда, я болмаса, есірткілердің, алкогольдің немесе дәрінің әсерінде болғанда пайдалануға болмайды. Электр құралдарын пайдалану кезінде бір сәт зейін бөлмеу ауыр жарақатқа әкелуі мүмкін.
- **Жеке қорғағыш жабдықты пайдаланыңыз.** Әрқашан көзді қорғау құралын киіңіз. Тиісті жағдайлар үшін пайдаланылатын шаң маскасы, сырғымайтын қауіпсіздік аяқ киімі, қатты қалпақ немесе естуді қорғау құралы сияқты қорғағыш жабдықтарды азайтады.
- **Кездейсоқ іске қосылуды болдырмаңыз.** Құралды қуат көзіне және / немесе батареялар жинағына қосу, көтеру немесе ұстап жүру алдында қосқыш өшірулі күйде екеніне көз жеткізіңіз. Электр құралды саусақты қосқышқа қойып ұстап жүру немесе қосқышы қосылу күйдегі электр құралдарына қуат беру сәтсіз жағдайларға әкеледі.
- **Электр құралын қосу алдында кез келген реттеу кілтін алыңыз.** Электр құралдың айналатын бөлігіне жалғанған күйде қалдырылған кілт жарақатқа әкелуі мүмкін.
- **Қатты жақындамаңыз.** Әрқашан тиісті қалыпты және теңгерімді сақтаңыз. Бұл күтпеген жағдайларда электр құралын жақсырақ басқаруға мүмкіндік береді.
- **Тиісті киімді киіңіз.** Бос киімді немесе зергерлік бұйымдарды кимеңіз. Шашты, киімді және қолғапты қозғалатын бөліктерден аулақ

ұстаңыз. Бос киім, зергерлік бұйымдар немесе ұзын шаш қозғалатын бөліктерде тұрып қалуы мүмкін.

- **Шаңды шығарып алу және жинау құралдары қамтамасыз етілген болса, бұларды қосуды және тиісті түрде пайдалануды қамтамасыз етіңіз.** Шаң жинауды пайдалану шаңға қатысты қауіптерді азайтады.
- **Құралдарды жиі пайдаланудан алынған таныстықтың сізді масаттануға және құрал қауіпсіздігі принциптерін елемеге әкелуіне жол бермеңіз.** Абайсыз әрекет секундтың бір бөлігінде ауыр жарақаттауы мүмкін.
- **Ескерту!** Пайдалану кезінде электр құралдар электромагниттік өріс тудырады. Кейбір жағдайларда бұл өріс белсенді немесе пассивті медициналық имплантаттарға кедергі келтіруі мүмкін. Ауыр немесе өлімге әкелетін жарақатты болдырмау үшін медициналық имплантаттары бар адамдарға осы электр құралды пайдалану алдында дәрігермен және медициналық имплантат өндірушісімен кеңесу ұсынылады.

Электр құралды пайдалану және күту

- **Психофизикалық немесе ақыл-ой қабілеттері төмен адамдар, сонымен бірге балалар бұл электр құралды тек қауіпсіздігіне жауапты адам қадағаласа немесе электр құралды пайдалану туралы нұсқаулар берсе, пайдалана алады.**
- **Электр құралға күш түсірмеңіз. Жағдайға сай дұрыс электр құралын пайдаланыңыз.** Дұрыс электр құралы өзі арналған жылдамдықпен жұмысты жақсырақ және қауіпсіздеу орындайды.
- **Қосқыш қоспаса және өшірмесе, электр құралды пайдалануға болмайды.** Қосқышпен басқару мүмкін емес кез келген электр құрал қауіпті және жөнделуі керек.
- **Кез келген реттеулерді жасау, қосалқы құралдарды ауыстыру немесе электр құралдарды сақтауға қою алдында ашаны қуат көзінен және / немесе батареялар жинағын электр құралдан ажыратыңыз.** Мұндай алдыналауға арналған сақтық шаралары электр құралының кездейсоқ іске қосылуы қаупін азайтады.
- **Жұмыссыз тұрған электр құралдарын балалардан аулақ ұстаңыз және электр құралмен немесе осы нұсқаулармен таныс емес адамдарға электр құралын пайдалануға рұқсат етпеңіз.** Электр құралдар оқытылмаған пайдаланушылардың қолдарында қауіпті болады.
- **Электр құралдарына техникалық қызмет көрсетіңіз.** Қозғалатын бөліктердің қате туралануы немесе тұрып қалуы, сынған бөліктер және электр құралдың жұмысына әсер етуі мүмкін кез келген басқа жағдай бар-жоғын тексеріңіз. Зақымдалса, пайдалану алдында электр құралын жөндетіңіз. Көп сәтсіз жағдайларды нашар техникалық қызмет көрсетілетін электр құралдары тудырады.
- **Кесу құралдарын өткір және таза күйде ұстаңыз.** Тиісті түрде техникалық қызмет көрсетілетін, үшкір кесу жиектері бар кесу құралдарының тұрып қалу ықтималдығы азырақ және оларды басқару оңайырақ.
- **Электр құралын, қосалқы құралдарды және құралдың кескіштерін, т.б. Осы нұсқауларға сай, жұмыс жағдайларын және орындалатын жұмысты ескере отырып пайдаланыңыз.**

Қазақ тілі

Электр құралды көрсетілгеннен басқа әрекеттер үшін пайдалану қауіпті жағдайға әкелуі мүмкін.

- **Тұтқаларды және ұстайтын беттерді құрғақ, таза және май емес күйде ұстаңыз.** Жылпылдақ тұтқалар және ұстайтын беттер күтпеген жағдайларда құралды қауіпсіз ұстауға және басқаруға мүмкіндік бермейді.
- Электр құралды пайдаланғанда қосымша тұтқаны дұрыс ұстаңыз. Бұл электр құралын басқарғанда пайдалы. Сондықтан дұрыс ұстау сәтсіз жағдайлардың немесе жарақаттардың қаупін азайтады.

Қызмет көрсету

- **Электр құралына білікті жөндеу маманы түпнұсқалық ауыстыру бөлшектерін пайдаланып қызмет көрсетуі керек.** Бұл электр құралының қауіпсіздігін сақтауды қамтамасыз етеді.
- Майлау және қосалқы құралдарды ауыстыру туралы нұсқауларды орындаңыз.

Электр құралды пайдалану кезіндегі қауіпсіздік туралы нұсқаулар

- Сүзу құрылғылары алынған күйде әрекеттерді орындауға қатаң тыйым салынады, бұл электр құралының бұзылуына әкеледі және кепілдік бойынша жөндеудің күшін жояды.
- Келесілерді сороды жүзеге асыруға тыйым салынған:
 - зиянды заттар (мысалы, емен немесе шамшат ағашының шаңы, уатқыштың тас шаңы, спрей түріндегі асбест, т.б.);
 - тұтанғыш және жарылғыш сұйықтықтар (мысалы, бензин, спирт, еріткіштер, т.б.);
 - каустикалық химикаттар мен сұйықтықтар (сілтілер, қышқылдар, каустикалық сода және т.б.);
 - өткір заттар (тырнақ, әйнек сынықтары және т.б.);
 - күл және көмір (мысалы, пештегі немесе грильдегі өшірілмеген немесе ыстық көмір); температурасы 50°C-тан аспайтын қоқысты соруға рұқсат етілген.
- Электр құралдарын су сораптары ретінде пайдаланбаңыз.
- Электр құралын агрессивті заттар шығаратын жарылғыш газдарды және буларды қамтитын атмосферада пайдалануға тыйым салынады.
- Электр құралының ауа саңылауларын жаппаңыз және сору түтігінің тесігін тығыз жаппаңыз, бұл қызып кетуге әкелуі мүмкін.
- Сору түтігінің ұшын (құрылғыны қосқан кезде) денеге, көзге немесе құлаққа жақын ұстамаңыз - бұл жарақаттануларға себеп болуы мүмкін.
- Ауа шлангісін негізінде арналмаған басқа мақсаттарда пайдаланбаңыз. Ауа шлангісін құрылғыны тасу немесе сүйрету үшін қолдануға болмайды. Ауа шлангісін қатты қызудан, өткір жиектерден және басқа электр құралдарының немесе аспаптардың қозғалмалы бөліктерінен алыс ұстаңыз.
- Кейбір заттарды тарту барысында шаңсорғыштың бөліктеріне статикалық заряд тууына себеп болуы мүмкін. Байқаңыз - статикалық заряд жайсыздық туғызуы, бас айналдыруы, тіпті құлатуы да мүмкін.

• Ауа үрлеу режимінде жұмыс істегенде ауа шлангісінің таза екендігіне көз жеткізіңіз. Қажет болса, шлангіні тазалаңыз.

- Ауа ағыны режимінде жұмыс істегенде майда заттар ауа ағынымен жоғары жылдамдықпен атылып шығуы мүмкін. Бұл заттар құрылғыға немесе айналасындағы адамдарға зақым тигізуі мүмкін. Жеке бас қорғаныс құралдарын қолданыңыз (қауіпсіздік көзілдірігі мен маска) және жұмыс орнын дұрыс жабдықтаңыз.







- Сатыда жұмыс істегенде ерекше сақ болыңыз.

Нұсқаулықта қолданылатын таңбалар

Пайдалану нұсқаулығында төменде берілген таңбалар қоладнылады, олардың мағынасын есте сақтаңыз. Таңбаларды дұрыс түсіндіру электр құралды дұрыс және қауіпсіз қолдануға көмектеседі.

Таңба	Мағына
	Сериялық нөмір бар жапсырма: СТ ... - үлгі; XX - өндіру күні; XXXXXXX - сериялық нөмір.
	Қауіпсіздік техникасы туралы барлық нұсқаулармен және нұсқаулармен танысыңыз.
	Қорғағыш көзілдірікті киіңіз.
	Қорғағыш құлаққапты киіңіз.
	Шаңнан қорғайтын масканы киіңіз.
	Монтаждық және реттеу жұмыстарын өткізу алдында электр құралды желіден өшіріңіз.
	Қозғалыс бағыты.
	Айналу бағыты.
	Бұғатталған.
	Бұғаттаудан шығарылған.

Қазақ тілі

Таңба	Мағына
 / II / IPX4	Қос оқшаулау / қорғау сыныбы.
	Тыйым салынған әрекет.
	Назар аударыңыз. Маңызды ақпарат.
	Бұйым ЕО директиваларының негізгі талаптарына және Еуропалық Одақтың үйлестірілген стандарттарына сай екенін куәландыратын белгі.
	Пайдалы ақпарат.
	Электр құралды тұрмыстық қоқысқа лақтырмаңыз.

Қозғалтқыш құралын қолдану салалары

Барлық мақсаттағы шаңсорғыштар зиянды емес шаңды, шағын бөлшектерді соруды, сонымен бірге, тұтанғыш емес сұйықтықтарды соруды қамтамасыз етеді. Олар жұмыс кезінде кесінділерді, шағын металл жоңқаларын және шаңды жасайтын электр құралдарына қосуға жарамды.

Қозғалтқыш құралдың құрамдастары

- 1 Сап
- 2 Қосу / өшіру
- 3 Шаңсорғыштың жоғарғы бөлігі (толығымен)
- 4 Шланг қосқышы (сорғыш кірісі)
- 5 Доңғалақ ұстағыш
- 6 Дөңгелек
- 7 Шланг қосқышы (үрлеу шығысы)
- 8 Желдету тесіктері
- 9 Кілт
- 10 Ыдыс
- 11 Ауа шлангісі *
- 12 Пластик түтік *
- 13 Тіттөртбұрыш саптама *
- 14 Түтік саптама *
- 15 Сүзгі *
- 16 Бүктелген сүзгі *
- 17 Қағаз шаңқабы *
- 18 Телескопиялық түтік *
- 19 Бұранда
- 20 Телескопиялық түтік кілті *
- 21 Қалтқы
- 22 Пластик жақтау
- 23 Шаңқабына жалғайтын құбыр

* Қосымша құрамдастар

Кейбір суреттелген немесе сипатталған құрамдастар стандарттық жабдықтау ретінде қосылмаған.

Қозғалтқыш құралдың бөлшектерін орнату және жөнге салу

Қозғалтқыш құралмен кез кезлген жұмысты бастау алдында оны токтан ажыратып тастаңыз.



Бекіткіш бөлшектер бұрандаларын бұзып алмау үшін тым қатты тартпаңыз.



Кейбір элементтерді бекіту / шығару / орнату жолдары барлық қозғалтқыш құралдарда бірдей, бұл жағдайда ерекше модельдер суреттелмеген.

Дөңгелектерді бекіту / ажырату (1-2 сур. қараңыз)

- Дөңгелектерді 6 1-2 суретте көрсетілгендей бекітіңіз.
- Бөлшектеу әрекеттерін кері ретпен орындаңыз.

Ауа шлангісі мен керек-жарақтарын монтаждау / түсіру (3-4 сур. қараңыз)

- 3-4 сур. көрсетілгендей ауа шлангісін 11 шланг қосқышына 4 жалғаңыз. **Ескерту: ауа шлангісін 11 шланг коннекторына 7 дәл осылай жалғаңыз.**
- Ауа желісінің компоненттерін құрастырыңыз:
 - **СТ42045** үшін - түтікті (түтіктерді) 12 ауа шлангісіне 11 қосыңыз, 3 сур. көрсетілгендей саптаманы 13 немесе 14 қосыңыз;
 - **СТ42046** үшін - телескопиялық түтікті 18 ауа шлангісіне 11 қосыңыз, 4.2 сур. көрсетілгендей 13 немесе 14 саптаманы жалғаңыз. Сіз телескопиялық түтіктің 18 ұзындығын ауыстыра аласыз: 4.1 сур. көрсетілгендей құлыпты 20 жылжытып ұстап тұрыңыз, телескопиялық түтіктің 18 жұқа бөлігін алға қойыңыз, 20 құлпын босатыңыз.
- Бөлшектеу әрекеттерін кері ретпен орындаңыз.

Құрғақ қалдықтарды тарту режимінде жұмыс істеуге дайындық (5-7, 10 сур. қараңыз)

Бұл режим құрғақ қалдықтарды тартуға арналған.

Горлы сүзгіні пайдалану (5-6, 10 сур. қараңыз)

- 9 кілтті ашып, шаңсорғыштың үстіңгі бөлігін 3 алып тастаңыз (5 сур. қараңыз).
- Шаңсорғыштың 3 жоғарғы бөлігіне орнатыңыз: қалқымалы 21 орнатылған 22 пластик жақтауды және гофрлы сүзгіні 16 орнатыңыз (6 сур. қараңыз). **Назар аударыңыз: пластик жақтауды 22 дұрыс орнатыңыз - пластик жақтауды 22 бекітетін құрылғылар шаңсорғыштың 3 жоғарғы бөлігіндегі ойықтарға және құлыпқа дәл сәйкес келуі керек; орнату кезінде сәйкессіздікке жол бермеңіз.**

Қазақ тілі

- Шаңсорғыштың 3 үстіңгі бөлігін орнатып, 9 кілттеніңіз.
- Ауа желісін жинап, ауа шлангісін 11 шланг қосқышына 4 қосыңыз (10 сур. қараңыз).

Қағаздан жасалған шаң қапшықтарын пайдалану (5, 7, 10 сур. қараңыз)

- 9 кілтті ашып, шаңсорғыштың үстіңгі бөлігін 3 алып тастаңыз (5 сур. қараңыз).
- Егер сүзгі 15 орнатылған болса, оны алып тастаңыз және гофрлы сүзгіні 16 орнатыңыз (7.1 сур. қараңыз).
- 17 қағаз шаңқабын 23 жалғайтын құбырға жалғаңыз (7.2 сур. қараңыз). 17 қағаз шаңқабын орнатарда 23 жалғайтын құбырға мыжбай жалғауға тырысыңыз. Қағаздан жасалған шаң қапшықтарының 17 картонды фланеці бактың 10 қабырғасына тиіп тұруы керек. 17 қағаз шаңқабын орнатқаннан кейін, байқап түзелтіңіз.
- Шаңсорғыштың 3 үстіңгі бөлігін орнатып, 9 кілттеніңіз.
- Ауа желісін жинап, ауа шлангісін 11 шланг қосқышына 4 қосыңыз (10 сур. қараңыз).
- Назар аударыңыз: 17 қағаз шаңқабын шығарарда жыртып алмай, байқап алыңыз. 17 қағаз шаңқабын келесі қолданыс үшін тазаламаңыз. 17 қағаз шаңқабы қайта қолданылмайды, толып кетсе, ауыстырыңыз.

Сұйықтықтарды тарту режимінде жұмыс істеуге дайындық (5, 8, 10 сур. қараңыз)

Бұл режим сұйықтықтар мен ылғалды қалдықтарды тартуға арналған.

- 9 кілтті ашып, шаңсорғыштың үстіңгі бөлігін 3 алып тастаңыз (5 сур. қараңыз).
- Шаңсорғыштың 3 жоғарғы бөлігіне орнатыңыз: қалқымасы 21 бар пластик жақтауды 22 және 15 сүзгіні орнатыңыз (8 сур. қараңыз). Назар аударыңыз: қалқыманы 21 пластик жақтауға 22 дұрыс орнатыңыз (8.2 сур. қараңыз) - қалқыманың 21 дұрыс орнатылмауы сонымен қатар сұйықтықтың электр құралының қозғалтқышына енуіне әкелуі мүмкін. Қалқыманың 21 қозғалмалы екенін тексеріңіз. Қалқыма 21 еркін жоғары және төмен қозғалуы керек, әйтпесе сорылған сұйықтықтар қозғалтқышқа түсіп, оны істен шығаруы мүмкін. Пластик жақтауды 22 дұрыс орнатыңыз - пластик жақтауға 22 бекітетін құрылғылар шаңсорғыштың 3 жоғарғы бөлігіндегі ойықтармен және құлыппен дәл сәйкес келуі керек; орнату кезінде сәйкессіздік болмауы тиіс.
- Шаңсорғыштың 3 үстіңгі бөлігін орнатып, 9 кілттеніңіз.
- Ауа желісін жинап, ауа шлангісін 11 шланг қосқышына 4 қосыңыз (10 сур. қараңыз).

Үрлеу режимінде жұмысқа дайындық (5, 7, 11 сур. қараңыз)

- 9 кілтті ашып, шаңсорғыштың үстіңгі бөлігін 3 алып тастаңыз (5 сур. қараңыз).
- Егер сүзгі 15 орнатылған болса, оны алып тастаңыз және гофрлы сүзгіні 16 орнатыңыз (7.1 сур. қараңыз).

- Бакты 10 босатыңыз, егер қағаздан жасалған қапшық 17 орнатылған болса - оны алыңыз, қажет болса ауа шлангісін 11 тазалаңыз. Әйтпесе, электр құралы шаң, үгінділерді және т.б. үрлеуі мүмкін.
- Шаңсорғыштың 3 үстіңгі бөлігін орнатып, 9 кілттеніңіз.
- Ауа желісін жинап, ауа шлангісін 11 шланг қосқышына 7 қосыңыз (11 сур. қараңыз).

Қозғалтқыш құралды алғашқы рет іске қосу

Әрдайым дұрыс электр кернеуін қолданыңыз: Қозғалтқыш құралдың электр кернеуі құралдың жеке мәліметтері бар тілімшеде көрсетілген электр кернеуіне сәйкес болуы керек.

Қозғалтқыш құралды қосу / өшіру

- Қосу:**
2 қосу / өшіру түймесін ON "I" жағдайына әкеліп қосыңыз (9.1 сур. қараңыз)
- Өшіру:**
2 қосу / өшіру түймесін OFF "0" жағдайына әкеліп өшіріңіз (9.2 сур. қараңыз)

Қозғалтқыш құралдың дизайн мүмкіндіктері

Ауа үрлеу режимі (11 сур. қараңыз)

Бұл атқарым күрделі немесе тартуға келмейтін жерлерде ауа ағынымен үрлеу арқылы тазалауға мүмкіндік береді (күрделі кеңселік машиналарды ауа ағынымен тазалау, қиыршық тасты жолдағы жапырақтарды тазалау және т.б.). Ауа шлангісін 11 шланг қосқышына 7 қосыңыз (11 сур. қараңыз).

Толып кетуден қорғау жүйесі

Толып кетуден қорғаныс жүйесі шаңсорғышты автоматты түрде сөндіреді, егер бак 10 сұйықтыққа толы болса, бұл электр құралы қозғалтқышының ішіндегі сұйықтықтың түсуіне жол бермейді.

Қозғалтқыш құралды қолданубойынша ұсыныстар



Жоғарыда аталған барлық дайындық және жинау қадамдарын жасалатын жұмыстарға қарай орындаңыз.

- Жұмыс түріне және жұмыс бетінің ауданына байланысты тиісті саптаманы таңдаңыз.
- Егер сорғышты пайдалану үшін шаңсорғышты қолданғыңыз келсе, ауа шлангісін 11 шланг қосқышына 4 қосыңыз (10 сур. қараңыз). **Ескертпе:** шаңсорғышты басқа электр құралында шаң тазарту жүйесі ретінде қолданатын болсаңыз, 11 ауа шлангісін тиісті адаптер арқылы электр құралына жалғаңыз.
- Егер шаңсорғышты үрлеу үшін қолданғыңыз келсе, ауа шлангісін 11 шланг қосқышына 7

Қазақ тілі

қосыңыз (11 сур. қараңыз). Назар аударыңыз: бакты **10** босатыңыз, егер қағаз жиналатын қап **17** орнатылған болса - оны алыңыз, қажет болса ауа шлангісін **11** тазалаңыз. Әйтпесе, электр құралы шаңды, үгінділерді және т.б. үрлеуі мүмкін.

- Электр құралын желіге жалғап қосыңыз.
- Шаң-тозаң немесе сұйықтықтарды тартыңыз, құрғақ қоқысты үрлеңіз және шаңсорғышқа қосылған басқа электр құралмен де жұмыс жасаңыз.
- Жұмыс кезінде тиімділік төмендеген жағдайда келесі әрекеттерді орындаңыз:

- сору желісін тексеріңіз - бітелулерді тапсаңыз, алып тастаңыз;
- гофрлы сүзгіні **16** тексеріңіз, берік болса тазалаңыз;
- **17** қағаз шаңқабын тексеріңіз, толып қалған болса ауыстырыңыз.
- Пайдаланудан кейін электр құралын өшіріңіз.
- Егер сұйықтықты сорып алған болсаңыз, сұйықтықты бактан **10** босатыңыз, бакты **10** жуыңыз және кептіріңіз, сүзгіден **15** өткізіңіз.

- Зақымдалған немесе қатты бітелген (тазалау мүмкін емес) болса, сүзгіні **15** ауыстырыңыз.

Қозғалтқыш құралды тазалау

Электр құралын қауіпсіз ұзақ мерзім бойы пайдаланудың міндетті шарты - оны таза ұстау. Электр құралын **8** желдету слоттары арқылы қысымдалған ауамен жүйелі түрде тазалап тұрыңыз.

Сатудан кейінгі қызмет және өтінім бойынша қызмет

Біздің сатудан кейінгі қызмет өнімге техникалық қызмет көрсетуге және оны жөндеуге, сонымен бірге, қосалқы бөлшектерге қатысты сұрақтарыңызға жауап береді. Сондай-ақ, сервистік орталықтар туралы ақпаратты, бөліктердің диаграммаларын және қосалқы бөлшектер туралы ақпаратты мына бетте табуға болады: www.crown-tools.com.

Қозғалтқыш құралды жөндеу / алдын алу шаралары

Қозғалтқыш құралмен кез кезлген жұмысты бастау алдында оны токтан ажыратып тастаңыз.

Бүктелген сүзгіні тазалау (12 сур. қараңыз)

- Жоғарыда сипатталғандай гофрлы сүзгіні **16** алыңыз.
- Гофрлы сүзгіні **16** жұмсақ щетканы пайдаланып тазалаңыз, содан кейін оны сығылған ауамен үрлеңіз (12 сур. қараңыз). **Ескерту: үрлеуді тек бүктелген сүзгінің 16 ішкі жағында жасау керек (12 сур. қараңыз).**
- Жоғарыда сипатталғандай бүктелген сүзгіні **16** орнатыңыз.
- Егер гофрлы сүзгі **16** зақымданса немесе қатты бітеліп қалса (жоғарыда аталған әдістермен тазалау мүмкін болмаса), оны ауыстырыңыз.

Сүзгіні тазарту

- Сүзгіні **15** жоғарыда сипатталғандай алыңыз.
- Сүзгіні **15** жылы сабынды суда мұқият жуыңыз, содан кейін мұқият кептіріңіз.
- Сүзгіні **15** жоғарыда сипатталғандай орнатыңыз.

Электр құралдарын тасымалдау

- Электр құралын тек **1** тұтқасынан немесе оны көтеріп, төменгі жағынан тіреу арқылы жылжытыңыз. Электр құралын басқа бөліктермен қозғалтпаңыз (ауа шлангісін **11** немесе қуат кабелін тарту арқылы).
- Тасымалдау кезінде қаптамаға ешбір механикалық әсерді тигізуге болмайды.
- Жүкті түсіргенде / жүктегенде қысып орау қағидатымен жұмыс істейтін ешбір технология түрін пайдалануға рұқсат етілмеген.

Қоршаған ортаны сақтау



Шикізатты қоқыс ретінде пайдаға асырудың орнына қайта қолдануға жіберіңіз.

Электр құралы, жарақаттар және бума қоршаған ортаға зиянсыз қайда қолдануға жіберілуі керек.

Пластикалық компоненттер сыныпталған қайта қолдану үшін белгіленген. Бұл нұсқаулар қайта қолданылатын хлорин қосылмаған қағазда басып шығарылған.

Өндіруші өзгерістер енгізуі мүмкін.

Қазақ тілі

إيقاف التشغيل:

اضبط مفتاح التشغيل / القفل 2 على وضع القفل OFF "0" (انظر الشكل 9.2).

تنظيف المرشح المطوي (انظر الشكل 12)

- قم بفك المرشح المطوي 16، بالطريقة الموضحة أعلاه.
- نظف المرشح المطوي 16 باستخدام فرشاة ناعمة، ثم انفخ الأوساخ منه بالهواء المضغوط (انظر الشكل 12). ملاحظة: يجب ألا يكون النفخ إلا داخل المرشح المطوي 16 (انظر الشكل 12).
- قم بتركيب المرشح المطوي 16، بالطريقة الموضحة أعلاه.
- في حالة تلف المرشح المطوي 16 أو انسداده للغاية (لا يمكن تنظيفه باستخدام الطرق المذكورة أعلاه)، عليك باستبداله.

تنظيف المرشح

- قم بإزالة الفلتر 15 كما هو موضح أعلاه.
- اغسل الفلتر 15 بعناية بماء دافئ وصابون ثم جفّفه بالكامل.
- ركب الفلتر 15 كما هو موضح أعلاه.
- في حال تعرّض الفلتر 15 للتلف أو لتلوث (وقد لا يكون نظيفاً)، قم بإزالته.

تنظيف الأداة الكهربائية

لا بد من المحافظة على نظافة الأداة الكهربائية للحصول على استخدام آمن على المدى الطويل. قم بتنظيف الأداة الكهربائية بانتظام باستخدام الهواء المضغوط من خلال فتحات التهوية رقم 8.

خدمة ما بعد البيع وخدمة التطبيق

تجيب خدمة ما بعد البيع لدينا على جميع تساؤلاتكم المتعلقة بصيانة المنتج الخاص بكم وإصلاحه، بالإضافة إلى قطع الغيار. كما يمكنكم أيضاً العثور على معلومات حول مراكز الخدمة وقطع الرسوم البيانية وقطع الغيار على: www.crown-tools.com

نقل الأدوات الكهربائية

- ما عليك سوى تحريك المكنسة الكهربائية من المقبض 1 أو حملها ودعمها من الأسفل. تجنب تحريك المكنسة الكهربائية من أجزاء أخرى (عن طريق سحب خرطوم الهواء 11 أو كابل الطاقة).
- يجب ألا يسقط أي شيء ميكانيكي على العبوة أثناء النقل مطلقاً.
- لا يجوز استخدام أي نوع من أنواع التقنيات التي تعمل وفق مبدأ تثبيت العبوة عند التفريغ/التحميل.

حماية البيئة

احرص على إعادة تدوير المواد الخام بدلاً من التخلص منها كنفايات.



ينبغي فرز الأدوات الكهربائية والملحقات والعبوات لإعادة تدويرها بحيث تكون صديقة للبيئة. تم تصنيف مكونات البلاستيك كغفنة من فئات إعادة التدوير. طُبعت هذه التعليمات على ورق مُعاد تدويره ومُصنّع بدون كلو.

مميزات تصميم الأداة الكهربائية

وضع نفخ الهواء (انظر الشكل 11)

تتيح هذه الوظيفة عملية التنظيف من خلال تفريغ النفايات وتدفق الهواء في الأماكن التي يصعب أو يستحيل شفط النفايات منها (تفريغ الهواء من الآلات المكتبية المتطورة، وتفريغ الرواسب من المسارات المليئة بالحصى، إلخ). توصيل خرطوم الهواء 11 بموصل الخرطوم 7 (انظر الشكل 11).

نظام الحماية من تدفق الفانض

يوقف نظام الحماية من التدفق الفانض تشغيل المكنسة الكهربائية تلقائياً إذا كان الخزان 10 ممتلئاً تماماً بالسائل، ويفضل هذا يُمنع دخول السوائل إلى محرك التشغيل.

توصيات بشأن تشغيل الأداة الكهربائية

تقدّم كل التحضيرات المذكورة أعلاه والخطوات بناءً على المهام المقرر إنجازها.



- اختر فوهة مناسبة بناءً على نوع عملية التشغيل ومساحة سطح العمل.
- إذا كنت ستستخدم المكنسة الكهربائية لعمليات الشفط، فقم بتوصيل خرطوم الهواء 11 بموصل الخرطوم 4 (انظر الشكل 10). ملحوظة: إذا كنت تنوي استخدام المكنسة الكهربائية كنظام إزالة غبار الأداة الكهربائية الأخرى، فصل خرطوم الهواء 11 بالأداة الكهربائية باستخدام محول كهربي مطابق.
- إذا كنت ستستخدم المكنسة الكهربائية لعمليات النفخ، فقم بتوصيل خرطوم الهواء 11 بموصل الخرطوم 7 (انظر الشكل 11). قم بتفريغ الخزان 10، إذا كان كيس الغبار الورقي 17 مكرّباً - فقم بإزالته، وقم بتنظيف خرطوم الهواء 11 إذا لزم الأمر. وإلا، فقد تفتح المكنسة الكهربائية الغبار ونشارة الخشب وما إلى ذلك إلى الخارج.
- صل الأداة الكهربائية بشبكة الكهرباء ثم قم بتشغيلها.
- التقط الغبار والمواد السائلة وفرّغ النفايات الجافة أو استخدم الأداة الكهربائية الأخرى المتصلة بالمكنسة الكهربائية.
- في حال انخفاض الكفاءة أثناء عملية التشغيل، قم بعمل الخطوات التالية:
 - افحص خط الشفط. وإذا جُذت أي عوائق فقم بإزالتها؛
 - تحقق من المرشح المطوي 16، ونظّفه إذا كان متسخاً؛
 - افحص حشو كيس الغبار القماشى 17 ثم استبدله إذا كان ممتلئاً.
- افصل الأداة الكهربائية بعد التشغيل.
- إذا كانت المكنسة الكهربائية قد امتصت سوائل، فقم بتفريغ السائل من الخزان 10، واغسل الخزان 10 ثم المرشح 15 وجفّفهما.

صيانة الأداة الكهربائية التدابير الوقائية

قبل تنفيذ أي أعمال على الأداة الكهربائية فإنه يجب فصلها عن مصدر الطاقة.

تحتفظ الشركة المصنعة بحقها في إمكانية إجراء تغييرات.

العربية

إذا كان المرشح 15 مركبًا - فقم بإزالته وتركيب مرشح مطوي 16 (انظر الشكل 7.1).

- وصل كيس الغبار الورقي 17 بأنبوب التوصيل 23 (انظر الشكل 7.2). عند تركيب كيس الغبار الورقي 17 احرص على توصيله بأنبوب التوصيل 23 بشكل متناسق دون السدادة. يجب أن تلمس شفة كيس الغبار الورقي 17 جدار الخزان 10. قم بتسوية كيس الغبار الورقي 17 بحذر بعد تركيبه.
- ركب الجزء العلوي من المكنسة الكهربائية 3 ثم أحكم إغلاقه بأقفال 9.
- قم بتجميع أنبوب الهواء وتوصيل خرطوم الهواء 11 بموصل الخرطوم 4 (انظر الشكل 10).
- انتبه: توخ الحذر عند إزالة كيس الغبار الورقي 17 حتى لا يتلف. لا تُفرغ كيس الغبار الورقي 17 لتتمكن من استخدامه مرة أخرى. لا يمكن إعادة استخدام كيس الغبار الورقي 17، استبدله إذا كان ممتلئًا.

استعد لتشغيلها باستخدام وضع شطف السوائل (انظر الشكل 5، 8، 10)

ينصح باستخدام هذا الوضع لشطف السوائل والنفايات الرطبة.

- افتح الأقفال 9 ثم قم بإزالة الجزء العلوي من المكنسة الكهربائية 3 (انظر الشكل 5).
- قم بتركيب ما يلي على الجزء العلوي من المكنسة الكهربائية 3: الإطار البلاستيكي 22 مع العوامة المثبتة 21 وقم بتركيب المرشح 15 (انظر الشكل 8). تنبيه: قم بتثبيت العوامة 21 بشكل صحيح في الإطار البلاستيكي 22 (انظر الشكل 8.2). - قد يتسبب تثبيت العوامة 21 بطريقة خاطئة أيضًا في دخول السائل إلى محرك تشغيل المكنسة الكهربائية. تحقق مما إذا كانت العوامة 21 قابلة للحركة. يجب أن تكون العوامة 21 قابلة للحركة إلى أعلى وإلى أسفل بحرية، وإلا فإن السوائل التي يتم امتصاصها قد تدخل المحرك وتعطله. قم بتركيب الإطار البلاستيكي 22 بشكل صحيح - يجب أن تتطابق أجهزة التثبيت الموجودة على الإطار البلاستيكي 22 بدقة مع الفتحات الموجودة في الجزء العلوي من المكنسة الكهربائية 3 والقفل؛ واحذر من المحاذاة الخاطئة أثناء التثبيت.
- ركب الجزء العلوي من المكنسة الكهربائية 3، ثم أحكم إغلاقه بأقفال 9.
- قم بتجميع أنبوب الهواء وتوصيل خرطوم الهواء 11 بموصل الخرطوم 4 (انظر الشكل 10).

التحضير للتشغيل في وضع النفخ (انظر الشكل 5، 7، 11)

- افتح الأقفال 9 ثم قم بإزالة الجزء العلوي من المكنسة الكهربائية 3 (انظر الشكل 5).
- إذا كان المرشح 15 مركبًا - فقم بإزالته وتركيب مرشح مطوي 16 (انظر الشكل 7.1).
- قم بتفريغ الخزان 10، إذا كان كيس الغبار الورقي 17 مركبًا - فقم بإزالته، وقم بتنظيف خرطوم الهواء 11 إذا لزم الأمر. وإلا، فقد تنفخ المكنسة الكهربائية الغبار ونشارة الخشب وما إلى ذلك إلى الخارج.
- ركب الجزء العلوي من المكنسة الكهربائية 3، ثم أحكم إغلاقه بأقفال 9.
- قم بتجميع أنبوب الهواء وتوصيل خرطوم الهواء 11 بموصل الخرطوم 7 (انظر الشكل 11).

التشغيل الأولي للأداة الكهربائية

استخدم دائمًا فلتية المنبع الصحيحة؛ يجب أن يتطابق مصدر قدرة الجهد مع المعلومات المذكورة على لوحة تعريف الأداة الكهربائية.

تشغيل/ إيقاف تشغيل الأداة الكهربائية

التشغيل:

اضبط مفتاح التشغيل / القفل 2 على وضع التشغيل "ON" (انظر الشكل 9.1).

العربية

ليست كل الملحقات التي تم توضيحها أو وصفها متضمنة كعرض قياسي.

تركيب عناصر الأداة الكهربائية وتنظيمها

قبل تنفيذ أي أعمال على الأداة الكهربائية فإنه يجب فصلها عن مصدر الطاقة.

تجنب سحب عناصر التثبيت محكمة الربط لتجنب تلف السلك.



يُعد تركيب / فك / ضبط بعض العناصر متشابهًا في جميع موديلات الأداة الكهربائية، وفي هذه الحالة لا يُشار إلى موديلات محددة في الرسم التوضيحي.



تركيب / فك العجل (انظر الشكل 2-1)

- تركيب العجل 6 كما هو موضح في الشكل 2-1.
- تتم عمليات التفكيك بتسلسل عكسي.

تركيب / فك خرطوم الهواء وملحقاته (انظر الشكل 4-3)

- قم بتوصيل خرطوم الهواء 11 بموصل الخرطوم 4 كما هو موضح في الشكل 3-4. ملاحظة: قم بتوصيل خرطوم الهواء 11 بموصل الخرطوم 7 بنفس الطريقة.
- تجميع مكونات أنبوب الهواء:
 - بالنسبة إلى الطراز CT42045 - قم بتوصيل الأنبوب (الأنابيب) 12 بخرطوم الهواء 11، ثم قم بتوصيل الفوهة 13 أو 14 كما هو موضح في الشكل 3؛
 - بالنسبة إلى الطراز CT42046 - قم بتوصيل الأنبوب القابل للطي 18 بخرطوم الهواء 11، ثم قم بتوصيل الفوهة 13 أو 14 كما هو موضح في الشكل 4.2. يمكنك تغيير جزء الأنبوب القابل للطي 18: حرك القفل 20 ثم ثبته كما هو موضح في الشكل 4.1، ثم ادفع الجزء الأقل حجمًا من الأنبوب القابل للطي 18، ثم حرر القفل 20.
 - تتم عمليات التفكيك بتسلسل عكسي.

استعد لتشغيلها باستخدام وضع شطف النفايات الجافة (انظر الشكل 5-7، 10)

ينصح باستخدام هذا الوضع لشطف النفايات الجافة.

استخدام مرشحًا مطويًا (انظر الشكل 5-6، 10)

- افتح الأقفال 9 ثم قم بإزالة الجزء العلوي من المكنسة الكهربائية 3 (انظر الشكل 5).
- قم بتركيب ما يلي على الجزء العلوي من المكنسة الكهربائية 3: الإطار البلاستيكي 22 مع العوامة المثبتة 21 وقم بتركيب مرشح مطوي 16 (انظر الشكل 6). تنبيه: قم بتركيب الإطار البلاستيكي 22 بشكل صحيح - يجب أن تتطابق أجهزة التثبيت الموجودة على الإطار البلاستيكي 22 بدقة مع الفتحات الموجودة في الجزء العلوي من المكنسة الكهربائية 3 والقفل؛ واحذر من المحاذاة الخاطئة أثناء التثبيت.
- ركب الجزء العلوي من المكنسة الكهربائية 3، ثم أحكم إغلاقه بأقفال 9.
- قم بتجميع أنبوب الهواء وتوصيل خرطوم الهواء 11 بموصل الخرطوم 4 (انظر الشكل 10).

استخدام كيس الغبار الورقي (انظر الشكل 5، 7، 10)

- افتح الأقفال 9 ثم قم بإزالة الجزء العلوي من المكنسة الكهربائية 3 (انظر الشكل 5).

الرمز	المعنى
	محظور.

	انتبه. مهم.
--	-------------

	توجد علامة تثبت أن هذا المنتج يتوافق مع المتطلبات الأساسية لتوجيهات الاتحاد الأوروبي، ومتناسب مع معايير الاتحاد الأوروبي.
--	---

	معلومات مفيدة.
--	----------------

	عدم التخلص من الأداة الكهربائية في حاوية النفايات المنزلية.
--	---

تعيين الأداة الكهربائية

تقوم المكائن الكهربائية متعددة الأغراض بشطف الأتربة غير الضارة والجزيئات الصغيرة والمواد السائلة غير القابلة للاشتعال أيضا. هذه المكائن مناسبة للاتصال بأدوات التشغيل الكهربائية التي تُنتج القصاصات والخراطة والغبار أثناء عملية التشغيل.

مكونات الأداة الكهربائية

- 1 مقبض
- 2 مفتاح التشغيل
- 3 الجزء العلوي من المكينة الكهربائية (مكتمل)
- 4 موصل خرطوم (مدخل، للشفط)
- 5 حامل العجلة
- 6 عجلة
- 7 موصل خرطوم (مخرج، للنفخ)
- 8 فتحات التهوية
- 9 القفل
- 10 خزان
- 11 خرطوم هواء *
- 12 أنبوب بلاستيكي *
- 13 فوهة مستطيلة *
- 14 شق فوهة *
- 15 مرشح *
- 16 مرشح مطوي *
- 17 كيس الغبار الورقي *
- 18 أنبوب تلسكوبي متداخل *
- 19 برغي
- 20 قفل أنبوب تلسكوبي متداخل *
- 21 العنصر المتحرك
- 22 إطار بلاستيكي
- 23 أنبوب توصيل كيس الغبار

- يجب التأكد من نظافة خرطوم الهواء أثناء تشغيل وضع طرد الهواء. قم بتنظيف الخرطوم إذا احتاج الأمر ذلك.
- عند تشغيل وضع طرد الهواء يمكن أن تُقذف الأشياء الصغيرة بسرعة كبيرة مع تدفق الهواء. قد تتسبب هذه الأشياء في إصابة الشخص الذي يستخدم الجهاز أو الأشخاص المحيطين به. استخدم أدوات حماية شخصية (نظارات حماية وقناعا) و قم بتجهيز مكان العمل بشكل صحيح.
- يجب توخي الحذر الشديد أثناء العمل على سلاالم.

الرموز المستخدمة في الدليل

تُستخدم الرموز التالية في دليل التشغيل، يُرجى تدكّر معانيها. سيُتيح التفسير الصحيح للرموز الاستخدام الصحيح والأمن للأداة الكهربائية.

الرمز	المعنى
	ملصق الرقم التسلسلي: CT ... - الطراز؛ XX - تاريخ التصنيع؛ XXXXXXX - الرقم التسلسلي.

	احرص على قراءة كافة قواعد السلامة والإرشادات.
--	---

	ارتد نظارات الحماية.
--	----------------------

	ارتد واقيات الأذن.
--	--------------------

	احرص على ارتداء قناع الغبار.
--	------------------------------

	افصل الأداة الكهربائية عن مصدر الطاقة قبل التركيب أو الضبط.
--	---

	اتجاه الحركة.
--	---------------

	اتجاه الدوران.
--	----------------

	مُؤقن.
--	--------

	غير مُؤقن.
--	------------

	عزل مزدوج / فئة الحماية.
--	--------------------------

العربية

- لا تستخدم العدة في حال تعذر تشغيل أو إيقاف تشغيل المفتاح. أي عدة كهربائية لا يمكن التحكم فيها بمفتاح تصير خطرة ويلزم إصلاحها.
- قم بفصل القابس من مصدر الطاقة و/أو حزمة البطارية من العدة الكهربائية قبل عمل أي تعديلات أو تغيير الملحقات أو تخزين العدة الكهربائية. ونقل تدابير السلامة الوقائية هذه من خطر بدء تشغيل العدة الكهربائية بطريق الخطأ.
- خزن العدة الكهربائية عند عدم الاستخدام بعيداً عن متناول الأطفال ولا تسمح للأشخاص الذين لا يألّفون المعدة أو هذه التعليمات بتشغيل العدة الكهربائية. تكون العدة الكهربائية خطرة في أيدي المستخدمين غير المدربين.
- قم بصيانة العدة الكهربائية. تحقق من وجود خطأ في محاذاة الأجزاء المتحركة أو ثني أو كسر بالأجزاء أو أي أوضاع أخرى من شأنها التأثير في تشغيل العدة الكهربائية. إذا تضررت العدة الكهربائية فيجب إصلاحها قبل الاستخدام. العديد من الحوادث ناجم عن سوء صيانة عدد كهربائية.
- حافظ على عدد القطع حادة ونظيفة. إن عدد القطع التي يتم صيانتها بشكل صحيح مع حواف قطع حادة تكون أقل عرضة للالتئام ويسهل التحكم فيها.
- استخدم العدة الكهربائية، والملحقات، واللصقات وغير ذلك فيما يتوافق مع هذه التعليمات، مع الوضع في الاعتبار ظروف العمل والأعمال المطلوب تحقيقها. قد يؤدي استخدام العدة الكهربائية للأغراض غير المخصصة لها إلى حدوث موقف خطير.
- احتفظ بالمقايض وأسطح الإمساك جافة ونظيفة وخالية من الشحوم. المقايض الزلقة وأسطح الإمساك لا تسمح بالتعامل الآمن والتحكم في العدة في مواقف غير متوقعة.
- لاحظ أنه عند تشغيل عدة كهربائية، يرجى الضغط على المقبض المساعد بشكل صحيح، وهو أمر مفيد عند التحكم في العدة الكهربائية. لذلك، يمكن أن يقلل التعامل السليم من خطر الحوادث أو الإصابات.

الخدمة

- كن يقظاً، وراقب ما تفعله واستخدم الحس السليم عند تشغيل العدة الكهربائية. لا تستخدم العدة الكهربائية عندما تكون متعباً أو تحت تأثير المخدرات أو الكحوليات أو الأدوية. إن أي لحظة من عدم الانتباه أثناء تشغيل العدة الكهربائية قد ينتج عنها جروح شخصية خطيرة.
- استخدم معدات الوقاية الشخصية. ارتد دائماً القناع الواقي للعين. تعمل أدوات الحماية مثل القناع الواقي من الغبار أو أذنية الأمان المضادة للرنين لاق أو قبعة صلبة أو أجهزة حماية السمع والتي يتم استخدامها في ظروف معينة على تقليل احتمالات التعرض لإصابات شخصية.
- تجنب التشغيل غير المقصود. تأكد من أن المفتاح على وضع إيقاف التشغيل قبل التوصيل بمصدر الطاقة و/أو حزمة البطارية، والانتقاط أو حمل العدة. حمل العدة الكهربائية مع وجود إصبعك في المفتاح أو تشغيل العدة الكهربائية التي يكون فيها المفتاح في وضع التشغيل يؤدي إلى احتمال وقوع حوادث.
- أزل أي مفاتيح ضبط أو مفاتيح ربط قبل تشغيل العدة الكهربائية. قد يؤدي وجود مفتاح ربط أو مفتاح متصل بالجزء النوار للعدة الكهربائية إلى حدوث إصابة شخصية.
- لا تتعدّ الارتفاع. أبق قدميك دوماً في وضع مناسب واحتفظ بتوازنك في جميع الأوقات. يمكن هذا من السيطرة بشكل أفضل على العدة الكهربائية في المواقف غير المتوقعة.
- ارتد ملابس ملائمة. لا ترتد ملابس فضفاضة أو مجوهرات. حافظ على شعرك وملابسك وقفاتك بعيداً عن الأجزاء المتحركة. قد تعلق الملابس الفضفاضة أو المجوهرات في الأجزاء المتحركة.
- في حال توفير أجهزة لتوصيل وسائل شفط وتجميع الغبار، تأكد من توصيلها واستخدامها بشكل ملائم. قد يؤدي استخدام تجميع الغبار إلى تقليل المخاطر الناجمة عن الغبار.
- لا تدع الألفة المكتسبة من الاستخدام المتكرر للعدد تسمح لك بالإعجاب بالنفس وتجاهل مبادئ سلامة العدة. يمكن أن يؤدي عمل واحد بإهمال إلى إصابة شديدة في لحظة من الثانية.
- تحذير! يمكن أن تنتج العدة الكهربائية حقلاً كهرومغناطيسياً أثناء التشغيل. قد يتداخل هذا الحقل في بعض الظروف مع الغرسات الطبية النشطة أو السلبية. للحد من خطر الإصابة الخطيرة أو القاتلة، نوصي الأشخاص الذين لديهم غرسات طبية باستشارة الطبيب ومصنع الغرسة الطبية قبل تشغيل العدة الكهربائية هذه.

استخدام العدة الكهربائية والعناية بها

- يحظر على الأشخاص ذوي القدرات النفسية أو العقلية أو الأطفال ذوي القدرات المنخفضة أن يشغلوا العدة الكهربائية، ما لم يتم الإشراف عليهم أو إرشادهم بشأن استخدام العدة الكهربائية بواسطة شخص مسؤول عن سلامتهم.
- لا تستخدم القوة المفرطة مع العدة. استخدم العدة الكهربائية الملائمة لغرضك. يؤدي استخدام العدة الكهربائية الصحيحة إلى إنجاز المهمة بشكل أفضل وأكثر أماناً في الأعمال المخصصة لها.

العربية

مواصفات الأداة الكهربائية

CT42046	CT42045	مكتسة كهربائية لجميع الأغراض
244985	244978	كود الأداة الكهربائية [220-240 فولت ~60/50 هرتز]
1000	1000	القدرة المقدرة [وات]
4.3	4.3	قوة التيار الكهربائي بالفولطية [220-240 فولت [أمبير]
>16	>16	الفراغ [كيلو باسكال]
1,7	1,7	معدل تدفق الهواء [لتر ³ /دقيقة]
20	15	السعة [لتر]
5,4 11.91	4,6 10.14	الوزن [كجم] [رطل]
□ / II / IPX4	□ / II / IPX4	فئة الأمان
78	78	الضغط الصوتي [ديسيبل]
—	—	قوة الصوت [ديسيبل]

قواعد السلامة العامة

تحذير قم بقراءة كافة تحذيرات السلامة وكافة التعليمات. قد يتسبب الفشل في اتباع التحذيرات والتعليمات المسرودة أدناه في صدمة كهربائية أو حريق، و/أو إصابة خطيرة. احفظ كافة التحذيرات والتعليمات للرجوع إليها مستقبلاً. يشير مصطلح "العدة الكهربائية" في التحذيرات إلى العدة الكهربائية (السلكية) التي تعمل عبر موصلات الكهرباء الرئيسية الخاصة بك أو العدة الكهربائية (اللاسلكية) التي تعمل بالبطارية.



سلامة منطقة العمل

- حافظ على منطقة العمل نظيفة ومضاءة جيداً. المناطق غير المنظمة أو المظلمة قد تتسبب في إصابات.
- لا تشغيل هذه العدة الكهربائية في الأماكن القابلة للانفجار، مثل عند وجود مواد سريعة الاشتعال أو غازات أو غبار. تصنع العدة الكهربائية هذه شرارات قد تؤدي إلى إشعال الغبار أو الأبخرة.
- احرص على بقاء الأطفال أو المتفرجين بعيداً أثناء تشغيل العدة الكهربائية. قد تتسبب الملهيات في فقدانك للتركيز.

السلامة الكهربائية

- يجب أن تتطابق قوايس العدة الكهربائية مع مأخذ التيار. لا تقم بتعديل القابس بأي شكل. لا تستخدم مهايي قوايس مع العدة الكهربائية المؤرضة (الموصولة بالأرض). تقلل القوايس غير المعدلة ومأخذ التيار المطابقة من خطر حدوث صدمة كهربائية.
- تجنب ملامسة الجسد للأسطح المؤرضة أو الموصولة بالأرض (مثل الأنابيب والمشعات والنطاقات والثلاجات). هناك خطر متزايد من التعرض للصدمة الكهربائية إذا كان جسمك مؤرضاً أو موصولاً بالأرض.
- لا تعرض العدة الكهربائية لظروف الأمطار أو الجبل. دخول المياه إلى العدة الكهربائية يزيد من خطر حدوث صدمة كهربائية.

العربية

45

معلومات الضجيج

احرص دائماً على ارتداء أداة حماية الأذن إذا كان الضغط الصوتي يتجاوز 85 ديسيبل.



إعلان المطابقة CE

نعلن تحت مسؤوليتنا وحدنا أن المنتج الموصوف ضمن "مواصفات الأداة الكهربائية" يتوافق مع كل الأحكام ذات الصلة بتوجيهات 2014/30/EU، 2014/35/EU بما في ذلك التعديلات ويتوافق مع المعايير التالية:

- EN 55014-1:2017
- EN 55014-2:2015
- EN IEC 61000-3-2:2019
- EN 61000-3-3:2013+A1:2019
- EN 62233:2008
- EN 60335-1:2012+A11:2014+A13:2017+A1:2019+A2:2019+A14:2019
- EN 60335-2-2:2010+A11:2012+A1:2003

Wu Cunzhen

Wu Cunzhen

المدير العام

Merit Link International AG
Stabio, Switzerland, 28.01.2021

تحذير - لتقليل خطر الإصابة، ينبغي أن يقرأ المستخدم دليل التعليمات!



- این است که آن را تمیز نگه دارید. مرتب با جریان هوای فشرده از طریق شیارهای تهویه 8، ابزار را تمیز کنید.
- در طول حمل ابزار از وارد کردن هر گونه ضربه مکانیکی به بسته بندی مطلقاً بپرهیزید.
- هنگام قرار دادن دستگاه در بسته یا خارج کردن آن، استفاده از هیچ گونه فناوری ای که باعث دستکاری در منگنه بسته بندی شود، مجاز نیست.

خدمات پس از فروش و خدمات کاربردی

خدمات پس از فروش ما پاسخگوی سؤالات شما درباره نگهداری و تعمیر محصول شما و همچنین قسمت های یدکی آن است. اطلاعات مربوط به مراکز سرویس، نمودارهای قطعات و قطعات یدکی را می توانید در این سایت بیابید: www.crown-tools.com

محافظت از محیط زیست

به جای اینکه مواد خام را مثل زباله دور بیندازید، آن ها را بازیافت کنید.



ابزار شارژی، لوازم جانبی و بسته بندی را باید برای بازیافت به روش زیست محیطی طبقه بندی کرد.

اجزای پلاستیکی برای بازیافت طبقه بندی شده برچسب گذاری می شوند. این دستورالعمل ها روی کاغذ بازیافت شده تولید شده بدون کلر چاپ می شوند.

حمل ابزارهای شارژی

- دستگاه را تنها به وسیله دسته 1 یا با بلند کردن و گرفتن قسمت پایینی آن حرکت دهید. دستگاه را به وسیله سایر قسمت ها حرکت ندهید (به وسیله کشیدن شلنگ هوای 11 یا کابل برق).

سازنده حق ایجاد تغییرات احتمالی را برای خود محفوظ می داند.

فارسی

آماده سازی برای کار در حالت دمیدن (نگاه کنید به شکل 5، 7، 11)

کنید). توجه داشته باشید: اگر قصد دارید از جاروبرقی به عنوان یک سیستم جمع کننده گرد و غبار برای یک ابزار برقی شارژی دیگر استفاده کنید، شیلنگ هوا را با استفاده از آداپتور مربوطه متصل کنید.

• چنانچه قصد دارید از عملکرد دمیدن جاروبرقی استفاده کنید، شلنگ هوای 11 را به رابط شلنگ 7 متصل کنید (تصویر 11 را مشاهده کنید). توجه: مخزن 10 را خالی کنید، چنانچه کیسه گردو خاک کاغذی 17 نصب شده است - آن را خارج کنید، در صورت لزوم شلنگ هوای 11 را تمیز کنید. در غیر این صورت ممکن است دستگاه گردو خاک، خاکاره و غیره را به بیرون بدمد.

• ابزار برقی شارژی را به برق وصل کنید و آن را روشن کنید. گرد و غبار یا مایع را جمع کنید و زباله های خشک را با دمیدن جمع کنید یا اینکه در هنگام کار با ابزار برقی شارژی دیگر که متصل به جارو برقی است، گرد و غبار حین کار را جمع کنید.

• در صورت کاهش بهره وری در حین عملیات، اقدامات زیر را انجام دهید:

- لوله مکش را بررسی کنید - در صورت مشاهده هر گونه خرابی، آن قسمت را جدا کنید؛
- فیلتر چین دار 16 را بررسی کنید، در صورت کثیف بودن آن را تمیز کنید؛
- کیسه خاک کاغذی 17 را چک کنید، اگر پر شده است، آن را خالی کنید.
- پس از عملیات، ابزار برقی شارژی را خاموش کنید.
- چنانچه به وسیله دستگاه مایعات را مکیده اید، مایع را از مخزن 10 تخلیه کرده، مخزن 10 و فیلتر 15 را شسته و خشک کنید.

اقدامات پیشگیرانه / مراقبتی از ابزار شارژی

قبل از انجام هر کاری روی این ابزار شارژی باید آن را از برق جدا کنید.

تمیز کردن فیلتر چین دار (تصویر 12 را مشاهده کنید)

- فیلتر چین دار 16 را آن گونه که در بالا توضیح داده شده است، خارج کنید.
- با استفاده از برسی نرم فیلتر چین دار 16 را تمیز کنید، سپس با هوای فشرده در آن دمید (تصویر 12 را مشاهده کنید). توجه: عمل دمیدن را باید تنها داخل فیلتر چین دار 16 انجام دهید (تصویر 12 را مشاهده کنید).
- فیلتر چین دار 16 را آن گونه که در بالا توضیح داده شده است، نصب کنید.
- چنانچه فیلتر چین دار 16 آسیب دیده یا به طور جدی رسوب گرفته است (با استفاده از روش های فهرست شده در بالا تمیز کردن امکان پذیر نیست)، آن را تعویض کنید.

تمیز کردن فیلتر

- فیلتر 15 را به صورتی که در بالا توضیح داده شد، بردارید.
- فیلتر 15 را با دقت با آب گرم و صابون بشویید و کاملاً خشک کنید.
- فیلتر 15 را به صورتی که در بالا توضیح داده شد، نصب کنید.
- اگر فیلتر 15 خراب شده است یا بسیار آلوده است (و امکان تمیز شدن آن وجود ندارد)، آن را بردارید.

تمیز کردن ابزار شارژی

یکی از شرایط لازم برای استفاده ایمن و طولانی مدت از ابزار شارژی

- قفل ها 9 را باز کنید و قسمت بالایی جاروبرقی 3 را بردارید (شکل 5 را ببینید).
- چنانچه فیلتر 15 نصب شده است - آن را خارج کرده و فیلتر چین دار 16 را نصب کنید (تصویر 7.1 را مشاهده کنید).
- مخزن 10 را خالی کنید، چنانچه کیسه گردو خاک کاغذی 17 نصب شده است - آن را خارج کنید، در صورت لزوم شلنگ هوای 11 را تمیز کنید. در غیر این صورت ممکن است دستگاه گردو خاک، خاکاره و غیره را به بیرون بدمد.
- قسمت بالایی جاروبرقی 3 را سوار کرده و با قفل ها 9، آن را محکم کنید.
- لوله هوا را سرهم کرده و شلنگ هوای 11 را به رابط هوای 7 متصل کنید (تصویر 11 را مشاهده کنید).

راه اندازی اولیه ابزار شارژی

همیشه از ولتاژ تغذیه صحیح استفاده کنید: ولتاژ تغذیه نیرو باید مطابق با اطلاعات ذکر شده روی پلاک شناسایی ابزار شارژی باشد.

روشن / خاموش کردن ابزار شارژی

خاموش کردن:

سوئیچ خاموش / روشن 2 را در وضعیت روشن و وضعیت "I" ON قرار دهید (شکل 9.1 را ببینید).

روشن کردن:

سوئیچ خاموش / روشن 2 را در وضعیت خاموش و وضعیت "0" OFF قرار دهید (شکل 9.2 را ببینید).

ویژگی های طراحی ابزار شارژی

حالت دمنده هوا (شکل 11 را ببینید)

این عملکرد امکان تمیز کردن را به وسیله دمیدن زباله ها با جریان هوا در مکان هایی فراهم می کند که امکان مکش زباله ها نیست یا بسیار سخت است (گردگیری ماشین آلات اداری پیچیده، دمیدن برگ ها از سنگفرش و غیره). شلنگ هوای 11 را به رابط هوای 7 متصل کنید (تصویر 11 را مشاهده کنید).

سیستم محافظت از سرریز شدن

چنانچه مخزن 10 کاملاً از مایعات پر شده باشد، سیستم محافظت از سرریز شدن به طور خودکار جاروبرقی را خاموش می کند، این عمل مانع از ورود مایعات به موتور دستگاه می شود.

توصیه هایی درباره عملکرد ابزار شارژی



تمامی مراحل سوار کردن و آماده سازی که در بالا گفته شد را بسته به نوع کاری که می خواهید انجام دهید، اجرا کنید.

- بسته به نوع عملیاتی که می خواهید انجام دهید و نوع سطح موردنظر، یک نازل مناسب انتخاب کنید.
- چنانچه قصد دارید از عملکرد مکش جاروبرقی استفاده کنید، شلنگ هوای 11 را به رابط شلنگ 4 متصل کنید (تصویر 10 را مشاهده کنید).

فارسی

- 4 رابط شلنگ (ورودی، برای مکش)
- 5 گیره چرخ
- 6 چرخ
- 7 رابط شلنگ (خروجی، برای دمیدن)
- 8 شیارهای تهویه
- 9 قفل
- 10 مخزن
- 11 شیلنگ هوا *
- 12 لوله پلاستیکی *
- 13 نازل مستطیلی *
- 14 نازل مخصوص درزها *
- 15 فیلتر *
- 16 فیلتر چین‌دار *
- 17 کیسه خاک کاغذی *
- 18 لوله تلسکوپی *
- 19 پیچ
- 20 قفل لوله تلسکوپی *
- 21 شناور
- 22 قاب پلاستیکی
- 23 لوله اتصال کیسه خاک

* اضافی اختیاری

همه لوازم جانبی به تصویر کشیده شده و توضیح داده شده به عنوان تحویل کالای استاندارد در بسته محصول قرار دارند.

نصب و تنظیم اجزای ابزار شارژی

قبل از انجام هر کاری روی این ابزار شارژی باید آن را از برق جدا کنید.



اجزای چفت و بست را خیلی محکم نکنید تا به شیارها آسیب نرسد.



نصب / پیاده سازی / تنظیم برخی از اجزا برای همه مدل های ابزار شارژی یکسان است، بنابراین مدل های خاص در اشکال نشان داده نشده اند.

سوار کردن / جدا کردن چرخ ها (شکل 1-2 را ببینید)

- چرخ ها 6 را به صورتی که در شکل 1-2 نشان داده است، سوار کنید.
- برای جدا کردن، عملیات را به صورت بالعکس انجام دهید.

نصب / باز کردن شلنگ هوا و لوازم جانبی (تصاویر 3-4 را مشاهده کنید)

- شلنگ هوای 11 را آن‌گونه که در تصاویر 3-4 نشان داده شده است به رابط شلنگ 4 متصل کنید. توجه: به همان روش، شلنگ هوای 11 را به رابط شلنگ 7 متصل کنید.
- اجزای لوله هوا را سرهم کنید:
- برای CT42045 - لوله (لوله‌های) 12 را به شلنگ هوای 11 متصل کنید، نازل 13 یا 14 را آن‌گونه که در تصویر 3 نشان داده شده است، متصل کنید.
- برای CT42046 - لوله تلسکوپی 18 را به شلنگ هوای 11 متصل کنید، نازل 13 یا 14 را آن‌گونه که در تصویر 4.2 نشان داده شده است، متصل کنید. می‌توانید طول لوله تلسکوپی 18 را تغییر دهید: ضامن 20 را آن‌گونه که در تصویر 4.1 نشان داده شده است حرکت داده و نگه دارید، قسمت نازک‌تر لوله تلسکوپی 18 را جلو بیاورید، ضامن 20 را رها کنید.
- برای جدا کردن عملیات را به صورت بالعکس انجام دهید.

آماده سازی عملیات در حالت مکش زباله خشک (شکل 5-7، 10 را ببینید)

این حالت برای مکش زباله های خشک توصیه می شود.

استفاده از فیلتر چین‌دار (تصاویر 5-6، 10 را مشاهده کنید)

- قفل ها 9 را باز کنید و قسمت بالایی جاروبرقی 3 را بردارید (شکل 5 را ببینید).
- موارد زیر را روی قسمت بالایی جاروبرقی 3 نصب کنید: قاب پلاستیکی 22 با شناور 21 نصب‌شده و فیلتر چین‌دار 16 (تصویر 6 را مشاهده کنید). توجه: قاب پلاستیکی 22 را به‌طور صحیح نصب کنید - ابزارهای اتصال روی قاب پلاستیکی 22 باید دقیقاً با شکاف‌های موجود در قسمت بالایی جاروبرقی 3 منطبق بوده و در هم قفل شوند؛ هنگام نصب اجازه ندهید عدم انطباق ایجاد شود.
- قسمت بالایی جاروبرقی 3 را سوار کرده و با قفل ها 9، آن را محکم کنید.
- لوله هوا را سرهم کرده و شلنگ هوای 11 را به رابط هوای 4 متصل کنید (تصویر 10 را مشاهده کنید).

استفاده از کیسه گردو خاک کاغذی (تصاویر 5، 7، 10 را مشاهده کنید)

- قفل ها 9 را باز کنید و قسمت بالایی جاروبرقی 3 را بردارید (شکل 5 را ببینید).
- چنانچه فیلتر 15 نصب شده است - آن را خارج کرده و فیلتر چین‌دار 16 را نصب کنید (تصویر 7.1 را مشاهده کنید).
- کیسه خاک کاغذی 17 را به لوله اتصال 23 وصل کنید (شکل 7.2 را ببینید). هنگام اتصال کیسه خاک کاغذی 17، مراقب باشید که آن را به لوله ی اتصال 23 به‌طور یکنواخت بدون پیچ و تاب وصل کنید. کلاسهک مقوایی کیسه گردو خاک کاغذی 17 باید به دیواره مخزن 10 مماس شود. پس از نصب، به دقت کیسه خاک کاغذی 17 را کشیده و صاف کنید.
- قسمت بالایی جاروبرقی 3 را سوار کرده و با قفل ها 9، آن را محکم کنید.
- لوله هوا را سرهم کرده و شلنگ هوای 11 را به رابط هوای 4 متصل کنید (تصویر 10 را مشاهده کنید).
- توجه: هنگام برداشتن کیسه خاک کاغذی 17، مراقب باشید که به آن آسیب نرسانید. کیسه خاک کاغذی 17 را برای استفاده مجدد خالی نکنید. کیسه خاک کاغذی 17، برای استفاده مجدد طراحی نشده است، اگر پر شده است، آن را خالی کنید.

آماده سازی عملیات در حالت مکش مایعات خشک (شکل 5، 8، 10 را ببینید)

این حالت برای مکش مایعات و زباله های مرطوب توصیه می شود.

- قفل ها 9 را باز کنید و قسمت بالایی جاروبرقی 3 را بردارید (شکل 5 را ببینید).
- موارد زیر را روی قسمت بالایی جاروبرقی 3 نصب کنید: قاب پلاستیکی 22 با شناور 21 نصب‌شده و فیلتر 15 (تصویر 8 را مشاهده کنید). توجه: شناور 21 را به‌طور صحیح داخل قاب پلاستیکی 22 نصب کنید (تصویر 8.2 را مشاهده کنید) - نصب نادرست شناور 21 نیز ممکن است باعث ورود مایعات به موتور دستگاه شود. متحرک بودن شناور 21 را بررسی کنید. شناور 21 باید بتواند آزادانه به بالا و پایین حرکت کند، در غیر این صورت ممکن است مایعات مکیده وارد موتور شده و آن را از کار بیندازد. قاب پلاستیکی 22 را به‌طور صحیح نصب کنید - ابزارهای اتصال روی قاب 3 منطبق بوده و در هم قفل شوند؛ هنگام نصب اجازه ندهید عدم انطباق ایجاد شود.
- قسمت بالایی جاروبرقی 3 را سوار کرده و با قفل ها 9، آن را محکم کنید.
- لوله هوا را سرهم کرده و شلنگ هوای 11 را به رابط هوای 4 متصل کنید (تصویر 10 را مشاهده کنید).

فارسی

معنی	نماد
قیل از نصب یا تنظیم ابزار شارژی، اتصال آن را از برق جدا کنید.	
جهت حرکت.	
جهت چرخش.	
قفل.	
قفل باز.	
عیق دوپل / کلاس محافظت	□ / II / IPX4
ممنوع.	
توجه. مهم.	
علامتی که تأیید می کند این محصول مطابق با شرایط اساسی دستورالعمل های اتحادیه اروپا و استانداردهای هماهنگ اتحادیه اروپا است.	CE

معنی	نماد
اطلاعات مفید.	
ابزار شارژی را به همراه زباله های خانگی دور نیندازید.	

کاربرد اختصاصی ابزار شارژی

جاروبرقی های همه منظوره مکش گرد و غبار غیر مضر، ذرات کوچک و مکش مایعات غیر قابل اشتعال را انجام می دهد. آنها برای اتصال به ابزارهای برقی شارژی که در حین عملیات، قطعات ریز، براده و گرد و غبار تولید می کنند، مناسب هستند.

اجزای ابزار شارژی

- 1 دسته
- 2 سوییچ خاموش / روشن
- 3 قسمت بالایی جاروبرقی

- مواد شیمیایی و مایعات سوزآور (قلیایی، اسیدها، سود سوزآور، سودا و غیره)؛
- اشیاء تیز (ناخن، خرده شیشه و غیره)؛
- خاکستر و ذغال روشن (مانند ذغال های خاموش نشده یا داغ از شومینه یا منقل)؛ مکش زباله ها با دمای کمتر از 50 درجه سانتیگراد مجاز است. از ابزار برقی شارژی به عنوان پمپ آب استفاده نکنید.
- استفاده از ابزار برقی شارژی در محیط هایی که گازها و بخارات قابل اشتعال از مواد قرار متصاعد می شود، ممنوع است.
- دریچه های هوای ابزار برقی شارژی را نبندید و روزه های هوای لوله مکش را نیز محکم نبندید - این کار باعث داغ شدن دستگاه می شود.
- انتهای لوله مکنده (هنگامی که دستگاه روشن است) را نزدیک بدن، چشم ها یا گوش ها نگیرید - این کار باعث آسیب دیدگی می شود.
- از شیلنگ هوا برای کارهایی غیر از مصارفی که به آن منظور طراحی شده است، استفاده نکنید. هرگز از شیلنگ هوا برای حمل یا کشیدن ابزار استفاده نکنید. شیلنگ هوا را در برابر گرما، لبه های تیز و قطعات متحرک ابزار برقی شارژی یا لوازم دیگر محافظت کنید.
- جارو کردن برخی مواد باعث ایجاد الکتریسیته ساکن در قطعات جاروبرقی می شود. مراقب باشید - الکتریسیته ساکن ممکن است باعث ناراحتی، از دست دادن تعادل و افتادن شود.
- هنگام کار در حالت دمپدن هوا اطمینان حاصل کنید که شیلنگ هوا تمیز باشد. در صورت لزوم، شیلنگ را تمیز کنید.
- هنگام کار در حالت دمپدن هوا، اجسام کوچک ممکن است با سرعت زیادی با جریان هوا پرتاب شوند. این اشیاء ممکن است به فردی که با دستگاه کار می کند یا به افرادی که در اطراف هستند، آسیب برسانند. از تجهیزات حفاظت شخصی (عینک ایمنی و ماسک) استفاده کنید و محل کار را به صورت مناسب تجهیز کنید.
- هنگام کار بر روی پله ها، بیشتر مراقب باشید.

نمادهای مورد استفاده در این دفترچه راهنما

نمادهای زیر در این دفترچه راهنما استفاده شده است لطفاً معنای آن ها را به خاطر داشته باشید. تفسیر درست نمادها باعث استفاده صحیح و ایمن از ابزار شارژی می شود.

معنی	نماد
پرچسب شماره سریال: CT ... مدل؛ XX - تاریخ ساخت؛ XXXXXXXX - شماره سریال.	
همه قوانین و شرایط ایمنی را بخوانید.	
از عینک ایمنی استفاده کنید.	
از محافظ گوش استفاده کنید.	
از ماسک ضد گرد و غبار استفاده کنید.	

استفاده از ابزار برقی/شارژی و مراقبت

- افراد دارای استعداد ذهنی و روانی پایین مثل کودکان در صورتی که تحت نظارت یا آموزش لازم توسط افرادی که مسئول ایمنی آنها هستند نباشند، نمی توانند با این ابزار کار کنند.
- به ابزار برقی/شارژی فشار وارد نکنید. از ابزار برقی/شارژی مناسب با نوع کاربری مورد نظر استفاده کنید. ابزار مناسب کار را بهتر و ایمن تر و با سرعتی که برای آن طراحی شده است، انجام می دهد.
- اگر با سونچ روشن و خاموش نمی توانید ابزار را خاموش یا روشن کنید، هرگز از ابزار استفاده نکنید. هر ابزاری را که نتوانید به وسیله سونچ کنترل کنید، خطرناک است و باید تعمیر شود.
- قبل از هر گونه تنظیمات، تغییر در لوازم جانبی یا جمع کردن وسیله، دو شاخه ابزار برقی/شارژی را از منبع تغذیه و/یا پک باتری جدا کنید. چنین اقدامات ایمنی خطر روشن شدن دستگاه به صورت تصادفی را کاهش می دهند.
- ابزارهای برقی/شارژی که از آنها استفاده نمی کنید، دور از دسترس کودکان قرار دهید و اجازه ندهید افراد نا آشنا با ابزارهای برقی/شارژی یا دستورالعمل های آن با این ابزارها کار کنند. ابزارهای برقی/شارژی در دست افراد آموزش ندیده خطرناک هستند.

- از ابزار برقی/شارژی خوب نگهداری کنید. هر گونه عدم توازن یا اتصال قطعات متحرک، شکستگی قطعات و دیگر شرایطی را که ممکن است عملکرد ابزار برقی/شارژی را تحت تأثیر قرار دهد، بررسی کنید. در صورت آسیب دیدگی، ابزار برقی/شارژی را قبل از استفاده تعمیر کنید. بسیاری از حوادث به دلیل نگهداری ضعیف ابزارهای برقی/شارژی اتفاق می افتند.
- ابزارهای برقی را تمیز و تیز نگه دارید. ابزارهای برقی که به صورت صحیح نگهداری می شوند و لبه های آن تیز است، کمتر گیر می کنند و قابل کنترل تر هستند.
- از ابزار برقی/شارژی، لوازم جانبی و بیت ابزار و غیره مطابق با این دستورالعمل و با توجه به شرایط کاری و نوع کار استفاده کنید. استفاده از ابزار در انجام کارهایی که با کاربری ابزار تناسب ندارد، می تواند خطرناک باشد.
- دستگیره ها و سطوح جاذب را خشک، تمیز و عاری از هر گونه روغن و چربی نگه دارید. دستگیره ها و سطوح جاذب لغزنده مانع کار کردن ایمن و کنترل ابزار در موقعیت های غیر قابل پیش بینی می شوند.
- توجه داشته باشید که هنگامی که با پک ابزار برقی/شارژی کار می کنید، دسته کمکی را به صورت صحیح نگه دارید، که به شما امکان کنترل بهتر ابزار را می دهد. بنابراین، درست نگه داشتن وسیله می تواند خطر حادثه و آسیب را کمتر کند.

سرویس

- ابزار برقی/شارژی را توسط تعمیرکار دارای صلاحیت که فقط از قطعات تعویضی اصلی استفاده می کند، سرویس کنید. این کار ایمنی و نگهداری درست وسیله را تضمین می کند.
- برای روان کاری و تعویض لوازم جانبی از دستورالعمل ها پیروی کنید.

دستورالعمل های ایمنی حین کار با ابزار برقی/شارژی

- انجام هر گونه عملیات بدون وجود تجهیزات فیلتردار، اکیداً ممنوع است. این کار باعث خرابی ابزار برقی شارژی و لغو گارانتی تعمیرات آن می شود.
- مکش مواد زیر ممنوع است.
- مواد مضر (مانند گرد و غبار چوب بلوط یا راش، گرد و غبار دستگاه سنگ شکن، اسپری آزیست، و غیره)؛
- مایعات قابل اشتعال و قابل احتراق (مانند بنزین، مشروبات الکلی، حلال ها، و غیره)؛

- از سیم استفاده نامناسب نکنید. هرگز از کابل برای حمل، کشیدن، یا از پریز جدا کردن ابزار استفاده نکنید. کابل را از حرارت، روغن، لبه های تیز یا اجسام دارای حرکت، دور نگه دارید. کابل های خراب یا کابل هایی که در جایی گیر کرده اند، باعث افزایش خطر برق گرفتگی می شوند.
- وقتی از ابزار در محیط بیرون استفاده می کنید، از کابل اضافی مخصوص محیط بیرون استفاده کنید. استفاده از کابل مخصوص محیط بیرون خطر برق گرفتگی را کاهش می دهد.
- اگر مجبور هستید از ابزار در محیط مرطوب استفاده کنید، حتماً از کلید محافظ جان (RCD) منبع تغذیه حفاظت شده استفاده کنید. استفاده از RCD خطر برق گرفتگی را کاهش می دهد. توجه! به جای واژه "کلید محافظ جان (RCD)" ممکن است از واژه های "قطع کننده مدار زمین مدار شکن (GFCI)" یا "قطع کننده مدار زمین نشت شکن (ELCB)" استفاده شود.
- هشدار! هرگز سطوح فلزی داخل جعبه دنده، محافظ و غیره را لمس نکنید، زیرا لمس کردن سطوح فلزی ممکن است با امواج الکترومغناطیسی تداخل ایجاد کند و در نتیجه موجب حادثه و جراحت شود.

ایمنی فردی

- هوشیار باشید، همیشه مراقب آنچه انجام می دهید باشید و از عقل سلیم در حین کار بهره ببرید. هرگز زمانی که خسته هستید یا تحت تأثیر دارو، الکل یا درمان هستید از ابزار برقی/شارژی استفاده نکنید. یک لحظه بی توجهی در هنگام کار با ابزارهای برقی/شارژی ممکن است منجر به آسیب جدی در فرد شود.
- از تجهیزات حفاظت فردی استفاده کنید. همیشه از محافظ چشم استفاده کنید. تجهیزات حفاظتی مثل ماسک ضد غبار، کفش ایمنی ضد لغزش، کلاه ایمنی یا محافظ گوش که در شرایط مناسبی استفاده شوند خطر آسیب های فردی را کاهش می دهند.
- از شروع برنامه ریزی نشده اجتناب کنید. قبل از اتصال وسیله برقی به منبع تغذیه یا باتری یا هنگام برداشتن و حمل ابزار، مطمئن شوید که سونچ در وضعیت خاموش قرار گرفته است. حمل ابزارهای برقی/شارژی در حالی که انگشت شما روی سونچ است یا به برق زدن وسایل برقی در حالی که روی وضعیت روشن قرار دارند، حادثه ساز است.
- هر گونه کلید تنظیم یا آچار را قبل از روشن کردن وسیله برقی/شارژی جدا کنید. اگر آچار یا کلید تنظیم در هنگام روشن شدن دستگاه متصل به دستگاه باقی بماند، باعث وارد آمدن آسیب به فرد می شود.
- هرگز خود را در هنگام استفاده از دستگاه خم نکنید یا نکشید. همیشه پاها را به صورت مناسب و متعادل نگه دارید. این کار باعث کنترل بهتر ابزار برقی/شارژی در موقعیت های غیر قابل پیش بینی می شود.
- لباس مناسب بپوشید. از پوشیدن لباس گشاد یا جواهرات خودداری کنید. موها، لباس و دستکش های خود را از قسمت های در حال حرکت دور نگه دارید. لباس گشاد، جواهرات یا موی بلند ممکن است در بین اجزای در حال حرکت گیر کنند.
- اگر دستگاه ها طوری ارائه شده اند که قابل اتصال به سیستم غبارگیر و امکانات جمع شونده هستند، مطمئن شوید که این تجهیزات به صورت صحیح، متصل و مورد استفاده قرار گیرند. استفاده از سیستم غبارگیر خطرات مربوط به وجود گرد و غبار را کاهش می دهد.
- اجازه ندهید آشنایی ناشی از استفاده مکرر از دستگاه باعث اعتماد به نفس کاذب در شما و نادیده گرفتن اصول ایمنی شود. یک اقدام از روی بی دقتی می تواند باعث آسیب جدی از کسری از ثانیه شود.
- هشدار! ابزارهای برقی/شارژی می توانند در حین کار میدان الکترومغناطیسی تولید کنند. این میدان ممکن است تحت شرایط خاصی با برخی پروتزهای پزشکی فعال یا منفعل تداخل ایجاد کند. برای کاهش خطرات جدی و کشنده، توصیه می کنیم افراد دارای پروتزهای پزشکی قبل از کار با دستگاه با پزشک خود و تولید کننده پروتز مشورت کنند.

مشخصات ابزار شارژی

CT42046	CT42045	جارو برقی چندکاره
244985	244978	کد ابزار شارژی [240-220 ولت ~60/50 هرتز]
1000	1000	توان اسمی [وات]
4.3	4.3	شدت جریان بر حسب ولت [240-220 ولت [آمپر]
>16	>16	خلأ [کیلو پاسکال]
1,7	1,7	سرعت جریان هوا [متر مربع/دقیقه]
20	15	ظرفیت [لیتر]
5,4 11.91	4,6 10.14	وزن [کیلوگرم] [پوند]
□ / II / IPX4	□ / II / IPX4	کلاس ایمنی
78	78	فشار صدا [دسی بل (آمپر)]
—	—	توان اکوستیک [دسی بل (آمپر)]

قوانین ایمنی عمومی

هشدار! هشدارهای ایمنی و تمام دستورالعمل ها را مطالعه کنید. عدم رعایت هشدارها و دستورالعمل ها ممکن است منجر به برق گرفتگی، آتش سوزی و/یا آسیب جدی شود. تمامی هشدارها و دستورالعمل ها را برای مراجعات بعدی نگهداری کنید. واژه "ابزار برقی" در هشدارها به ابزار برقی (سیم) متصل به برق شهری یا ابزار برقی (بی سیم) باتری خور اشاره می کند.



امنیت منطقه کاری

- محل کار را تمیز و روشن نگه دارید. محیط های کاری به هم ریخته و تاریک حادثه ساز هستند.
- ابزارهای برقی را در محیط های قابل انفجار، مثلاً در حضور مایعات، گازها یا غبارهای قابل اشتعال راه اندازی نکنید. ابزارهای برقی/شارژی جرقه هایی تولید می کنند که ممکن است باعث آتش گرفتن غبارها یا گازها شوند.
- وقتی با این ابزار کار می کنید، از کودکان و تماشاگران بخواهید دور بایستند. عواملی که حواس شما را پرت می کنند، ممکن است باعث از دست دادن کنترل شما در هنگام کار شوند.

نکات ایمنی مربوط به برق

- دوشاخه ابزار برقی/شارژی باید با پریز مطابقت داشته باشد. هرگز دوشاخه را به هیچ صورت تغییر ندهید. هرگز از دوشاخه های آداپتور برای ابزارهای برقی/شارژی که متصل به زمین هستند، استفاده نکنید. دوشاخه های تغییر داده نشده و پریزهای متناسب با دوشاخه خطر برق گرفتگی را کاهش می دهند.
- از تماس بدنی با سطوح متصل به زمین مثل لوله ها، رادیاتورها، گاز و یخچال اجتناب کنید. اگر بدن شما با زمین اتصال پیدا کند، خطر برق گرفتگی افزایش می یابد.
- ابزارهای برقی/شارژی را در معرض باران یا در محیط های مرطوب و خیس قرار ندهید. آبی که به داخل ابزار برقی/شارژی نفوذ می کند، خطر برق گرفتگی را افزایش می دهد.

اطلاعات نويز

همیشه در صورتی که فشار صدا بیش از 85 dB(A) است، از تجهیزات محافظت از گوش استفاده کنید.



CE اعلامیه تطابق

با مسئولیت خود اعلام می کنیم محصول توضیح داده شده در "مشخصات ابزار شارژی" با شرایط مربوط به دستورالعمل های 2014/30/EU، 2014/35/EU از جمله اصلاحات آن ها مطابقت داشته و از استانداردهای زیر تبعیت می کند:

EN 55014-1:2017
EN 55014-2:2015
EN IEC 61000-3-2:2019
EN 61000-3-3:2013+A1:2019
EN 62233:2008
EN 60335-1:2012+A11:2014+A13:2017+A1:2019+A2:2019+A14:2019
EN 60335-2-2:2010+A11:2012+A1:2003

Wu Cunzhen

Wu Cunzhen

مدیر عامل

Merit Link International AG
Stabio, Switzerland, 28.01.2021

هشدار- برای کاهش خطر آسیب، کاربر باید دستورالعمل های زیر را مطالعه کند!



فارسی

51