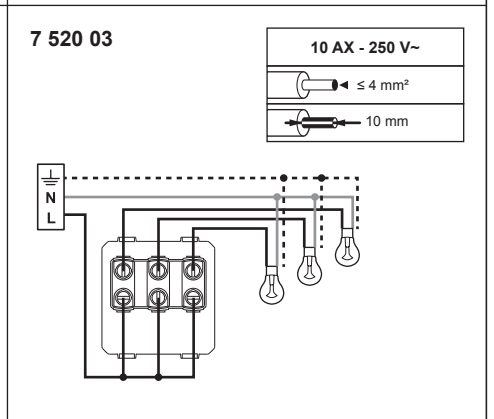
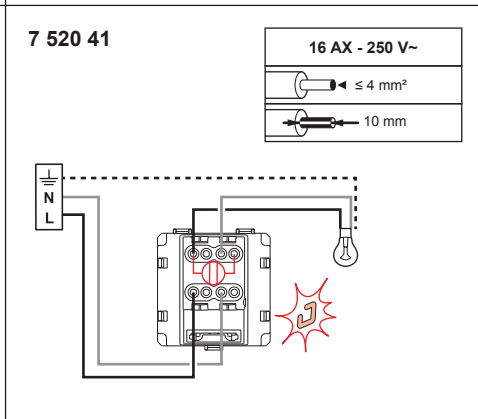
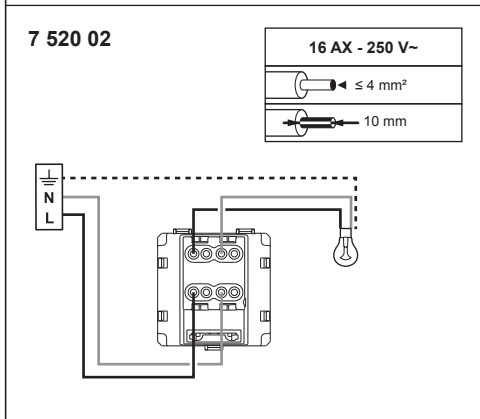
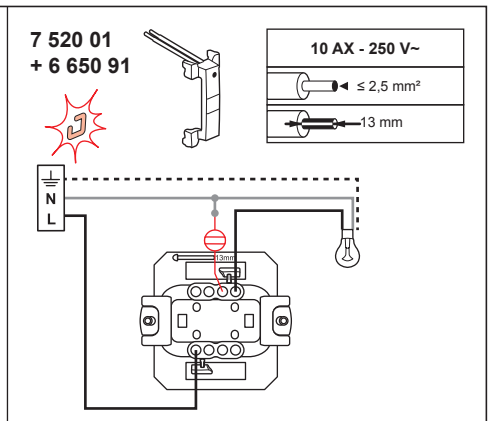
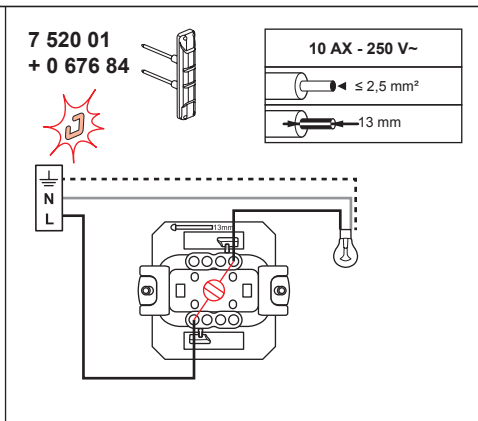
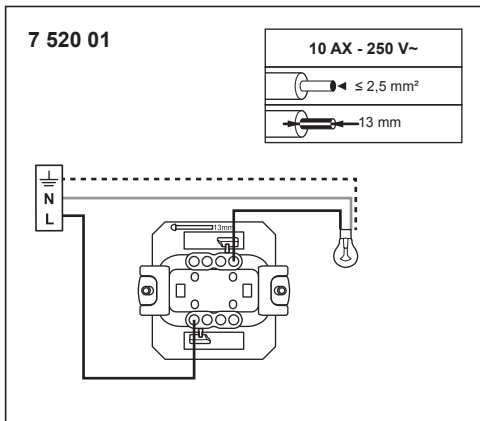
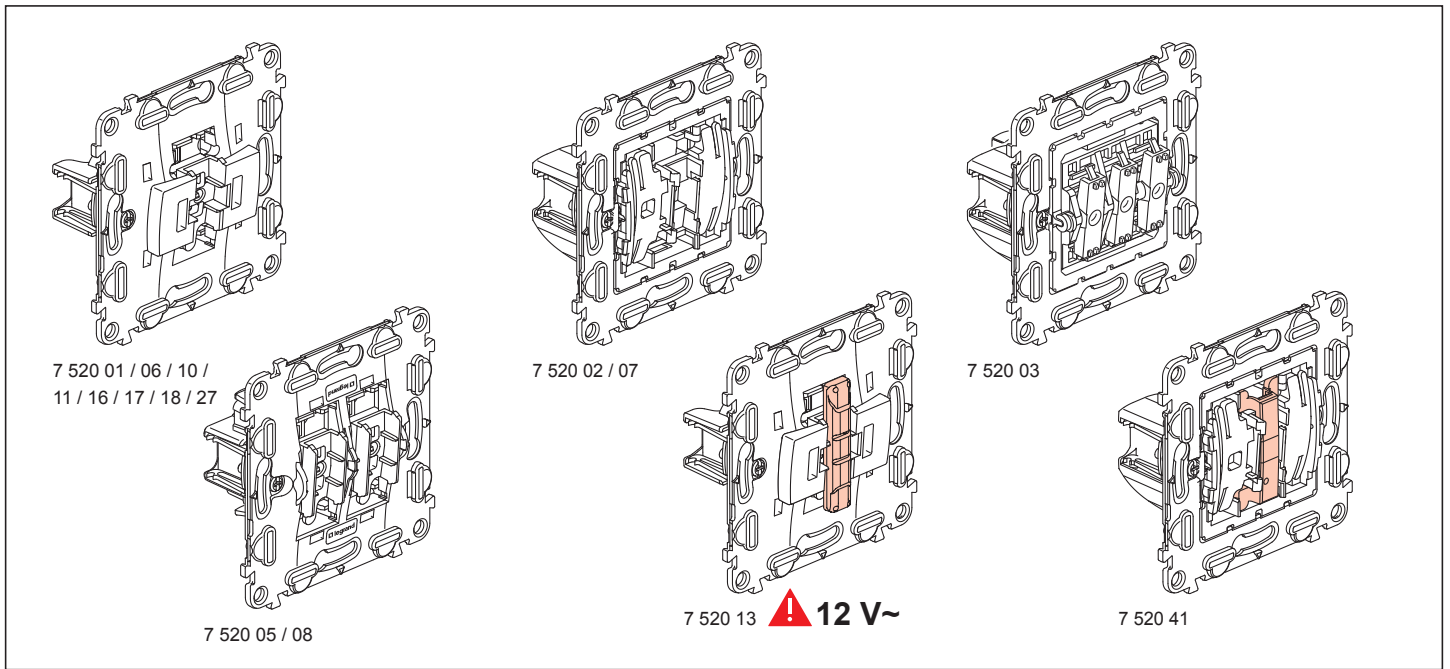
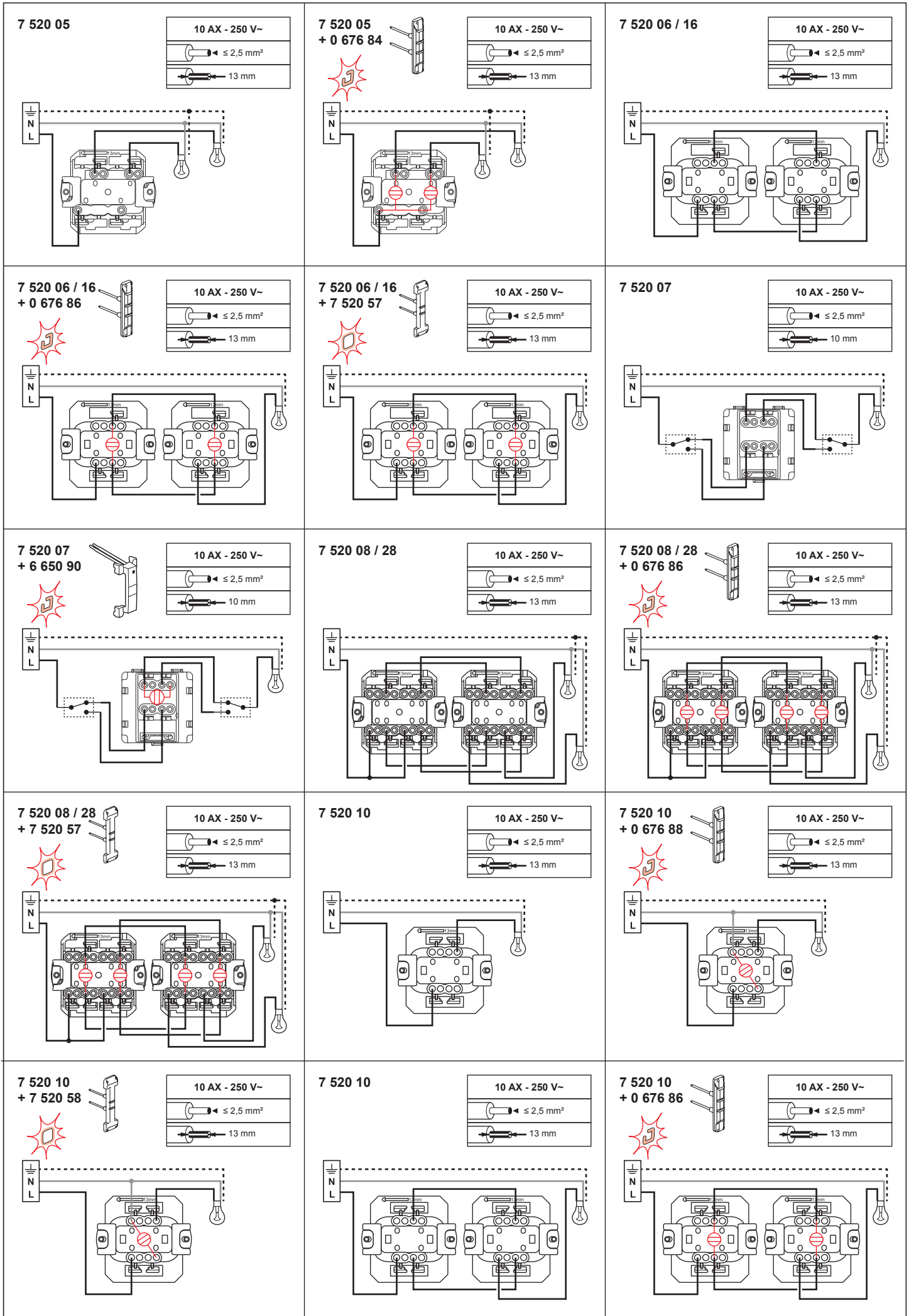
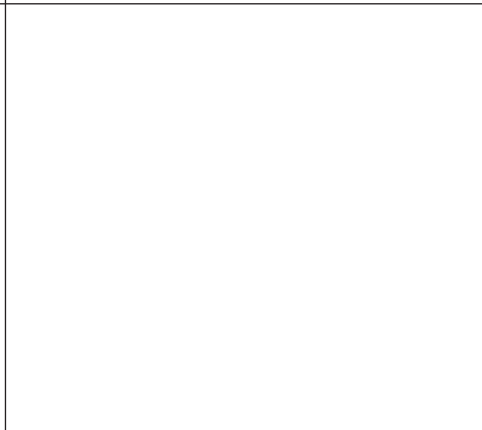
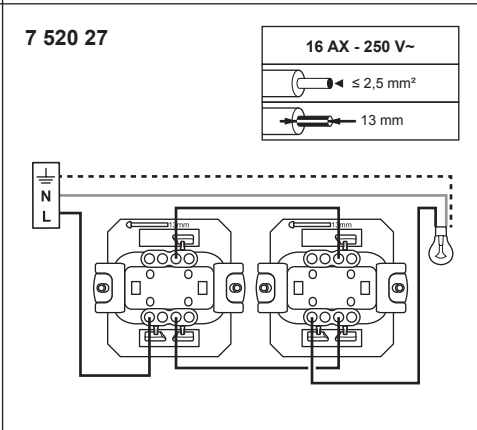
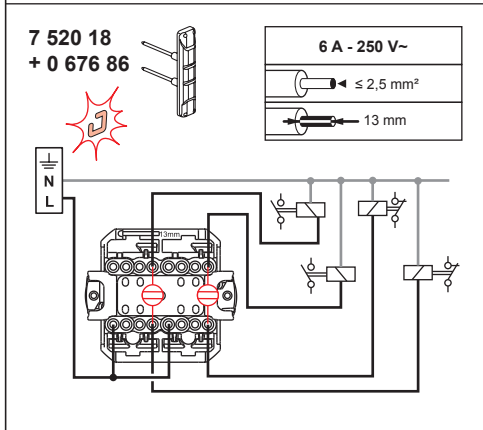
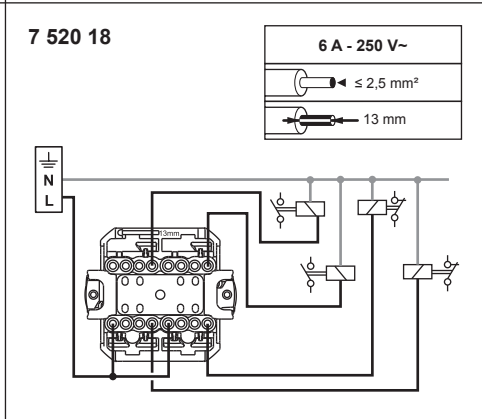
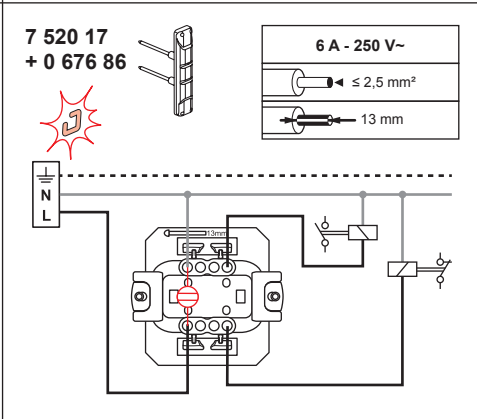
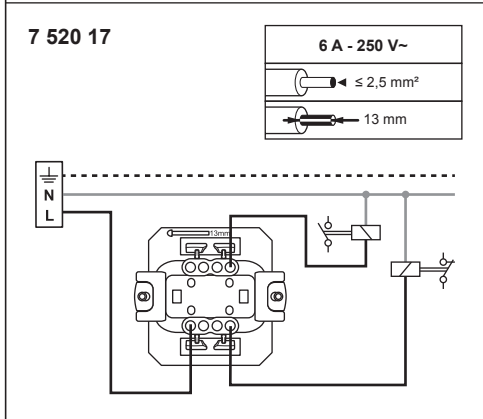
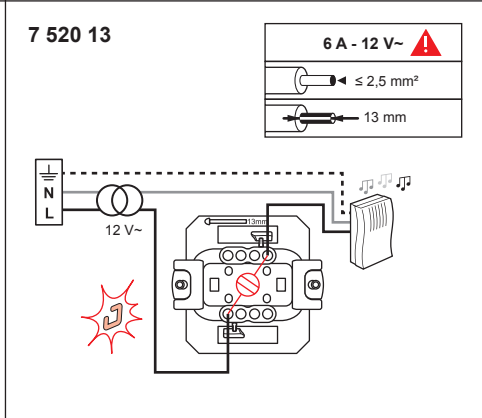
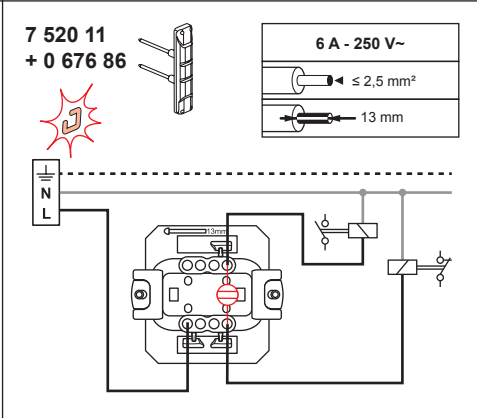
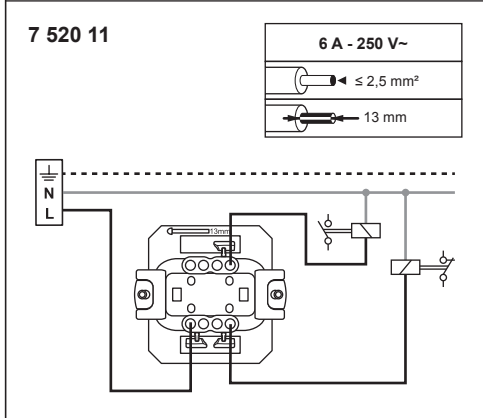
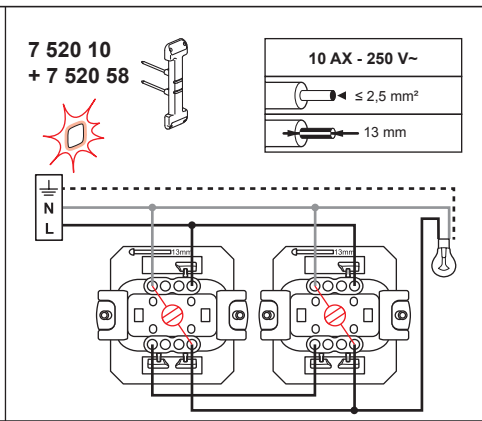
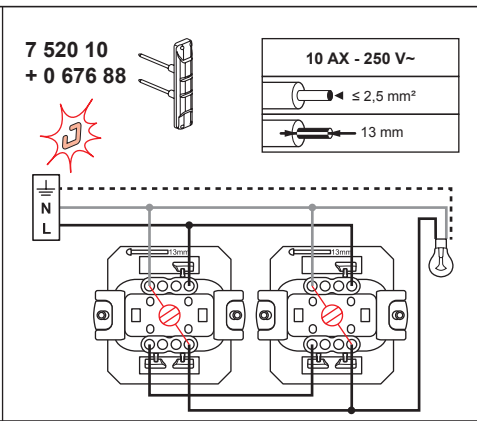
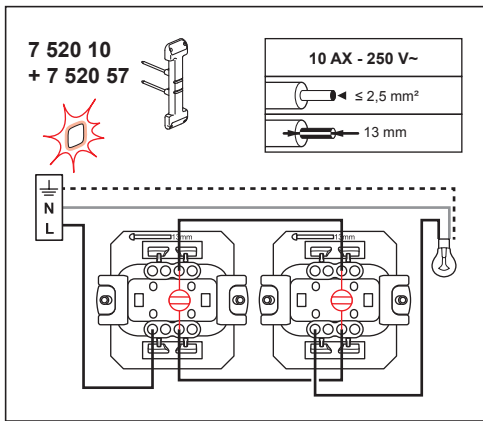


|               |               |       |                               |
|---------------|---------------|-------|-------------------------------|
|               |               |       |                               |
| 0°C ... +35°C | 0°C ... +35°C | 40 mm | 10 / 13 mm<br>1...2,5...4 mm² |

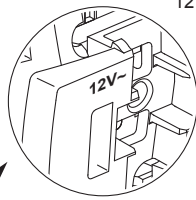
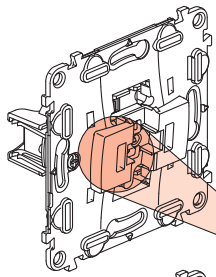




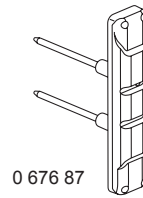




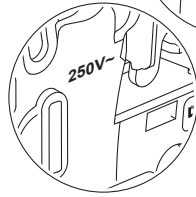
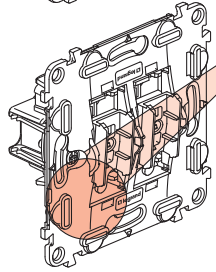
12 - 48 V~ ~~250 V~~~



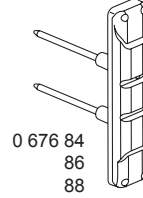
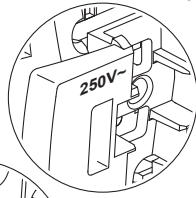
12 - 48 V~



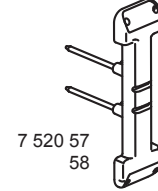
0 676 87



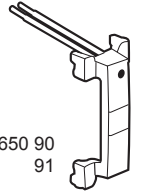
250 V~



0 676 84  
86  
88



7 520 57  
58



6 650 90  
91

|               | 0 676 84 | 0 676 86 | 0 676 87 | 0 676 88 | 6 650 90 | 6 650 91 | 7 520 57 | 7 520 58 |
|---------------|----------|----------|----------|----------|----------|----------|----------|----------|
| 7 520 01      | ✓        | —        | —        | —        | —        | ✓        | —        | —        |
| 7 520 02      | —        | —        | —        | —        | —        | —        | —        | —        |
| 7 520 03      | —        | —        | —        | —        | —        | —        | —        | —        |
| 7 520 05      | ✓        | —        | —        | —        | —        | —        | —        | —        |
| 7 520 06 / 16 | —        | ✓        | —        | —        | —        | —        | ✓        | —        |
| 7 520 07      | —        | —        | —        | —        | ✓        | —        | —        | —        |
| 7 520 08 / 28 | —        | ✓        | —        | —        | —        | —        | ✓        | —        |
| 7 520 10      | —        | ✓        | —        | ✓        | —        | —        | ✓        | ✓        |
| 7 520 11      | —        | ✓        | —        | —        | —        | —        | —        | —        |
| 7 520 13      | —        | —        | ✓        | —        | —        | —        | —        | —        |
| 7 520 17      | —        | ✓        | —        | —        | —        | —        | —        | —        |
| 7 520 18      | —        | ✓        | —        | —        | —        | —        | —        | —        |
| 7 520 27      | —        | —        | —        | —        | —        | —        | —        | —        |
| 7 520 41      | —        | —        | —        | —        | —        | ✓        | —        | —        |